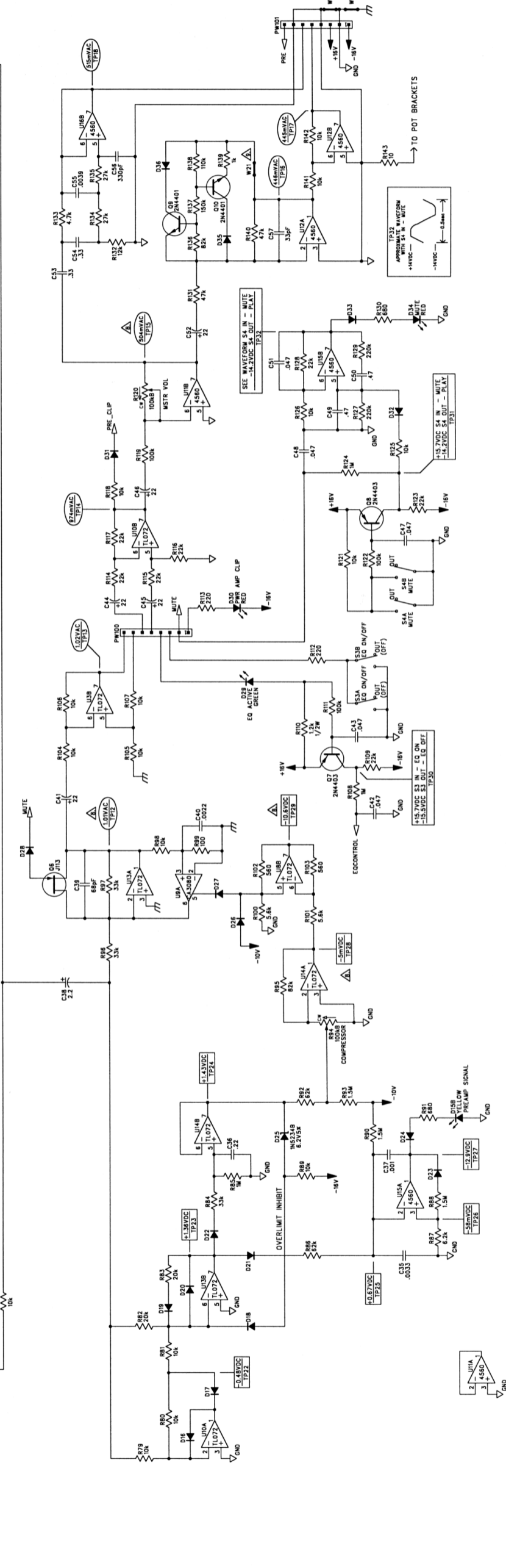
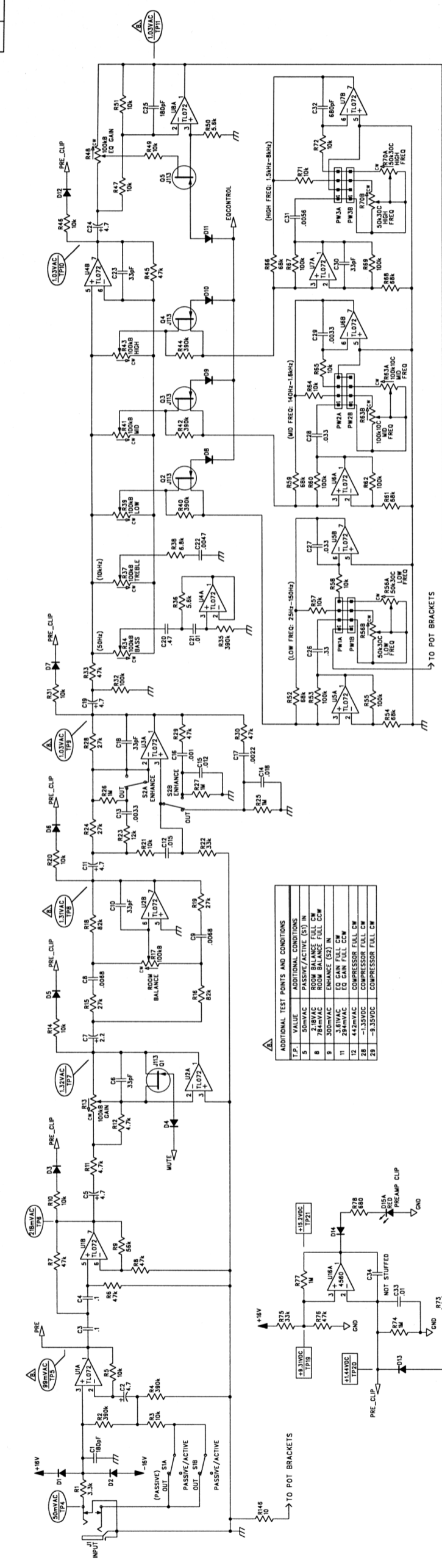
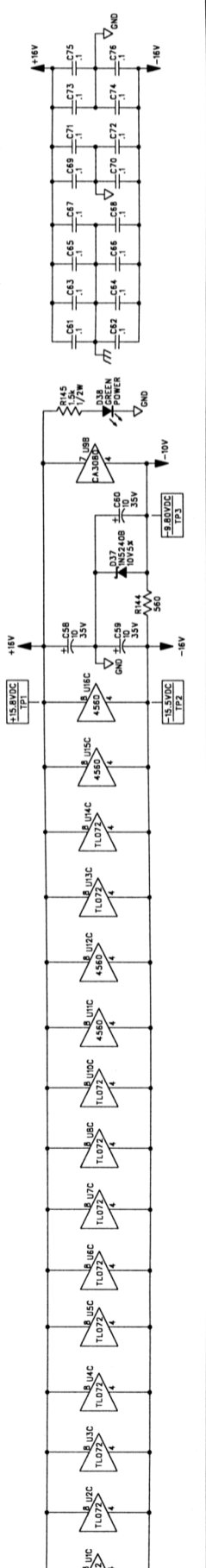


REV.	DESCRIPTION	DATE	APPROVED
A	PR412	02-SEP-99	dbl



REFER TO POWER AMP SERVICE DIAGRAM P/N 0055682000 FOR OUTPUT TEST SETUP CONDITIONS.
 SEE TABLE FOR ADDITIONAL TEST CONDITIONS.
 AC AND DC VOLTAGES READ TO GROUND WITH A DVM UNDER THE FOLLOWING CONDITIONS:
 NO INPUT SIGNAL (TP1-TP3, TP30-TP32 ON V)
 NO INPUT SIGNAL (TP1-TP3, TP30-TP32 ON V)
 ALL UNPOLARIZED CAPACITORS IN JFET, 20% RV MINIMUM.
 ALL POLARIZED CAPACITORS IN JFET, 50% OR BETTER, 50V MINIMUM.
 ALL RESISTORS IN OHMS, 5% 1/W.

1. ALL RESISTORS IN OHMS, 5% 1/W.
2. ALL UNPOLARIZED CAPACITORS IN JFET, 20% RV MINIMUM.
3. ALL POLARIZED CAPACITORS IN JFET, 50% OR BETTER, 50V MINIMUM.
4. PCB ASSEMBLY P/N 0055684000.
5. THIS SCHEMATIC IS FOR PCB FABRICATION P/N 0055683000 AND P/N 0055684000.
6. LAST INSTANCES: R145, C76, D38, U16, D10, J1, S4, TP32, PW101 INSTANCES NOT USED: PW14-18.
7. ALL OTHER CONTROLS AT "12 o'clock" (50X ROTATION) COMPRESSOR AT "0" (FULL CW).
8. ALL OTHER CONTROLS AT "12 o'clock" (50X ROTATION) COMPRESSOR AT "0" (FULL CCW).
9. 100mV, 100mV SINEWAVE INPUT SIGNAL AT J1.
10. APPROXIMATE WAVEFORMS FOR TP30-TP32.



MUSICAL INSTRUMENTS
 2621 Research Drive
 Corona, CA 91720 USA

TITLE: SERVICE DIAGRAM, COMBINED (continued)
 BASSMAN 400 AMPLIFIERS
 PREAMP

CHECKED BY: *ATL*
 DATE: 02-SEP-99

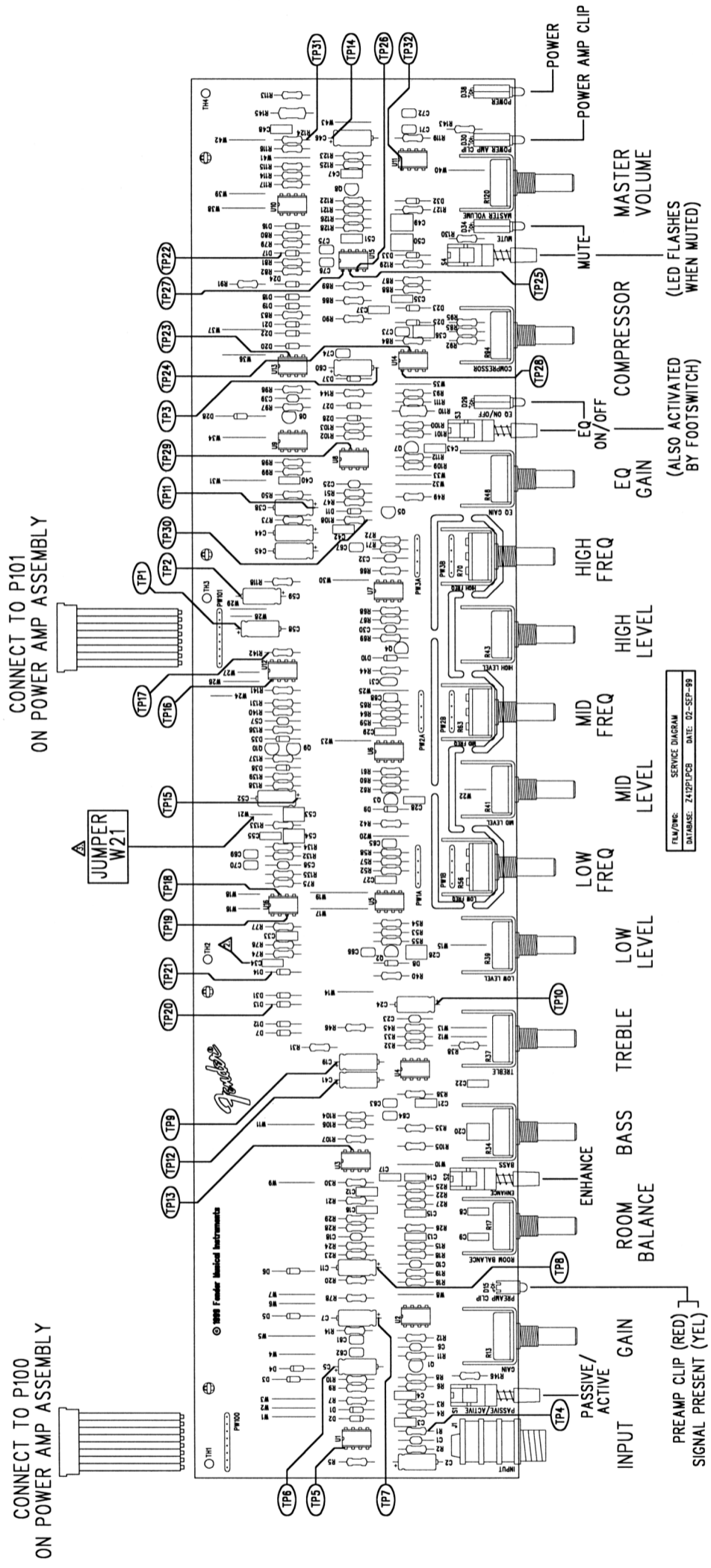
APPROVED BY: *dbl*
 DATE: 02-SEP-99

DRAWN: D. LEWIS [ENGR] D. LEWIS [ENGR]
 DATABASE FILE: Z41251.SCH

SIZE: D
 DRAWING NUMBER: 0055681000
 REV. A

RELEASE DATE: 03-SEP-99 SHEET: 1 OF 2

REVISIONS			
REV.	DESCRIPTION	DATE	APPROVED
A	PR 412	02-SEP-89	DBL



FEM/DRG: SERVICE DIAGRAM
 DATABASE: 241271.PCB DATE: 02-SEP-89

MUSICAL INSTRUMENTS
 2621 Research Drive
 Corona, CA 91720 USA

TITLE: SERVICE DIAGRAM COMBINED (PCB assy)
 BASSMAN 4100 AMPLIFIERS
 PREAMP

CHECKED BY: *Blp*
 DATE: 02-SEP-89

APPROVED BY: *AB*
 DATE: 9/2/89

DRAWN: D. LEWIS
 ENGINEER: D. LEWIS
 DATABASE FILE: 241271.PCB

SIZE: D
 DRAWING NUMBER: 0055681000
 REV. A

RELEASE DATE: 02-SEP-89
 SHEET 2 OF 2

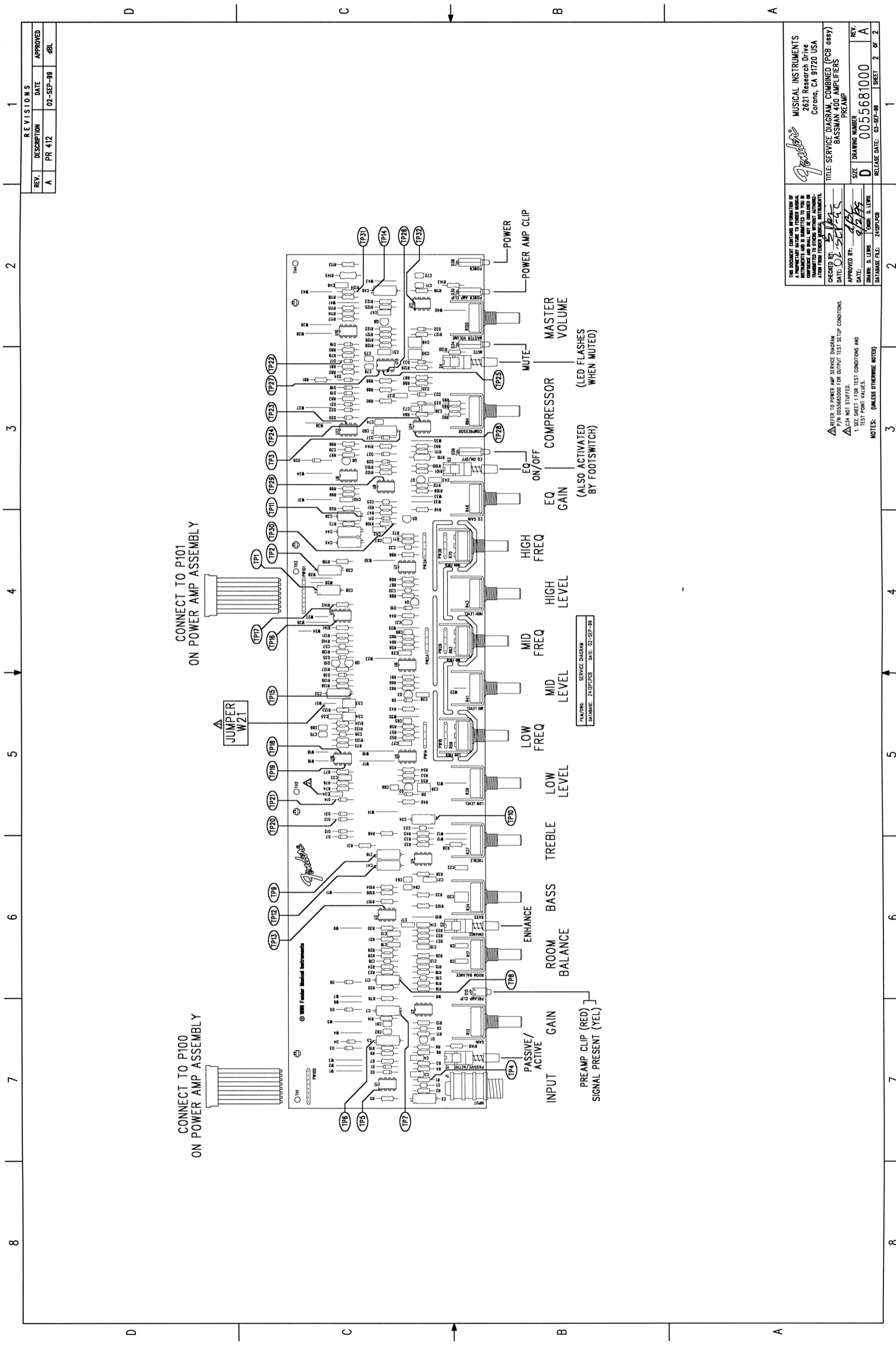
THIS DOCUMENT CONTAINS INFORMATION OF A PROPRIETARY NATURE TO FENDER MUSICAL INSTRUMENTS AND IS SUBMITTED TO YOU IN CONFIDENCE. IT IS NOT TO BE REPRODUCED OR TRANSMITTED TO OTHERS WITHOUT AUTHORIZATION FROM FENDER MUSICAL INSTRUMENTS.

REFER TO POWER AMP SERVICE DIAGRAM P/N 005582000 FOR OUTPUT TEST SETUP CONDITIONS.

△ CMA NOT STUFFED.

1. SEE SHEET 1 FOR TEST CONDITIONS AND TEST POINT VALUES.

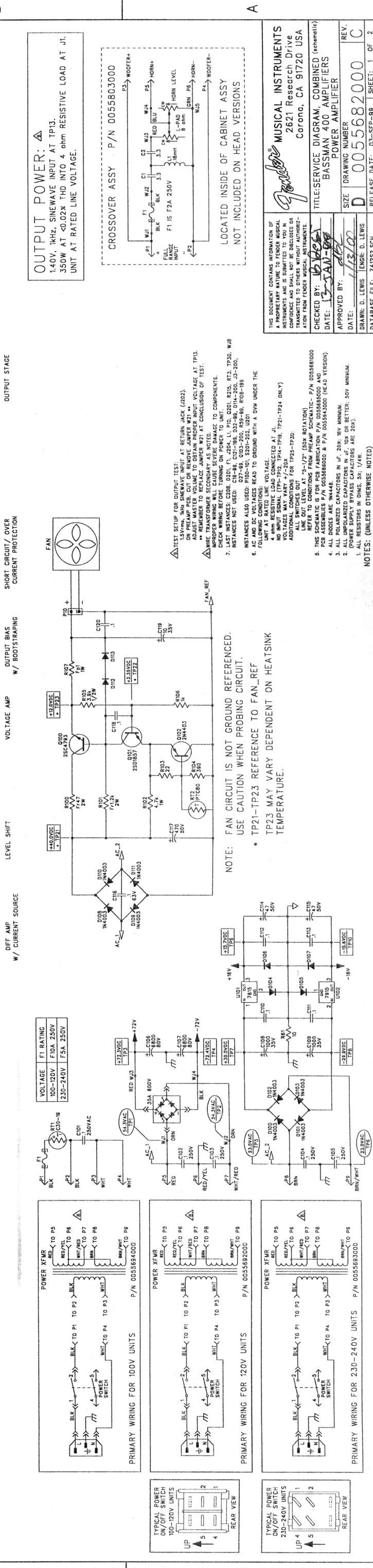
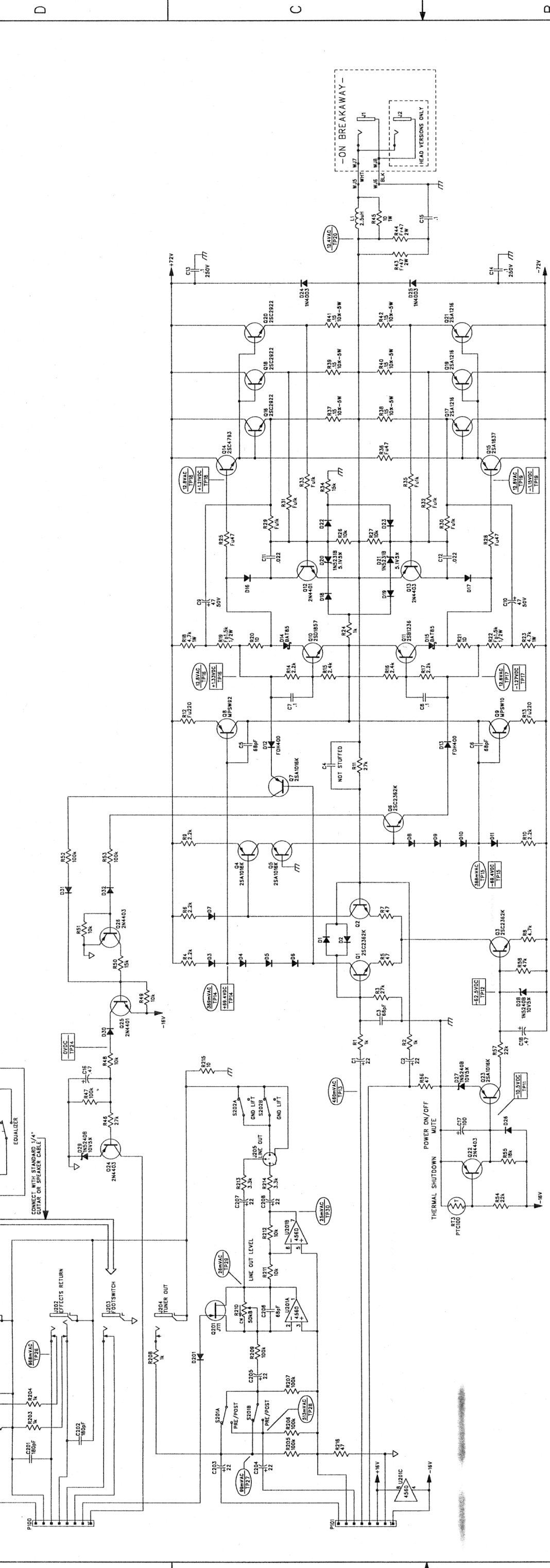
NOTES: (UNLESS OTHERWISE NOTED)



REV.	DESCRIPTION	DATE	APPROVED
A	PR 412	01-SEP-99	dbl
B	PR 452	09-NOV-99	dbl
C	EC 2392	10-JAN-00	dbl

REVISIONS

1 2 3 4 5 6 7 8



OUTPUT POWER: 1.40V, 1kHz, SINEWAVE INPUT AT TP13. 350W AT $\le 0.02\%$ THD INTO 4 ohm RESISTIVE LOAD AT J1. UNIT AT RATED LINE VOLTAGE.

CROSSOVER ASSY P/N 00556803000

LOCATED INSIDE OF CABINET ASSY NOT INCLUDED ON HEAD VERSIONS.

TEST SETUP FOR OUTPUT TEST: 15Vrms, 1kHz SINEWAVE INPUT AT RETURN JACK (J202). ON PREAMP PCB, CUT OR REMOVE JUMPER W21. ** VOLTAGE AT TP13. ** REMEMBER TO REPLACE JUMPER W21 AT CONCLUSION OF TEST. ** IMPROPER WIRING WILL CAUSE SEVERE DAMAGE TO COMPONENTS. 7. LACK OF PROPER WIRING ON POWER TO UNIT. 8. ALL INSTANCES NOTED: C18-99, C19-99, C20-99, C21-99, C22-99, C23-99, C24-99, C25-99, C26-99, C27-99, C28-99, C29-99, C30-99, C31-99, C32-99, C33-99, C34-99, C35-99, C36-99, C37-99, C38-99, C39-99, C40-99, C41-99, C42-99, C43-99, C44-99, C45-99, C46-99, C47-99, C48-99, C49-99, C50-99, C51-99, C52-99, C53-99, C54-99, C55-99, C56-99, C57-99, C58-99, C59-99, C60-99, C61-99, C62-99, C63-99, C64-99, C65-99, C66-99, C67-99, C68-99, C69-99, C70-99, C71-99, C72-99, C73-99, C74-99, C75-99, C76-99, C77-99, C78-99, C79-99, C80-99, C81-99, C82-99, C83-99, C84-99, C85-99, C86-99, C87-99, C88-99, C89-99, C90-99, C91-99, C92-99, C93-99, C94-99, C95-99, C96-99, C97-99, C98-99, C99-99, C100-99. INSTANCES ALSO USED: R100-10, R101-10, R102-10, R103-10, R104-10, R105-10, R106-10, R107-10, R108-10, R109-10, R110-10, R111-10, R112-10, R113-10, R114-10, R115-10, R116-10, R117-10, R118-10, R119-10, R120-10, R121-10, R122-10, R123-10, R124-10, R125-10, R126-10, R127-10, R128-10, R129-10, R130-10, R131-10, R132-10, R133-10, R134-10, R135-10, R136-10, R137-10, R138-10, R139-10, R140-10, R141-10, R142-10, R143-10, R144-10, R145-10, R146-10, R147-10, R148-10, R149-10, R150-10, R151-10, R152-10, R153-10, R154-10, R155-10, R156-10, R157-10, R158-10, R159-10, R160-10, R161-10, R162-10, R163-10, R164-10, R165-10, R166-10, R167-10, R168-10, R169-10, R170-10, R171-10, R172-10, R173-10, R174-10, R175-10, R176-10, R177-10, R178-10, R179-10, R180-10, R181-10, R182-10, R183-10, R184-10, R185-10, R186-10, R187-10, R188-10, R189-10, R190-10, R191-10, R192-10, R193-10, R194-10, R195-10, R196-10, R197-10, R198-10, R199-10, R200-10. FOLLOWS: C18-99, C19-99, C20-99, C21-99, C22-99, C23-99, C24-99, C25-99, C26-99, C27-99, C28-99, C29-99, C30-99, C31-99, C32-99, C33-99, C34-99, C35-99, C36-99, C37-99, C38-99, C39-99, C40-99, C41-99, C42-99, C43-99, C44-99, C45-99, C46-99, C47-99, C48-99, C49-99, C50-99, C51-99, C52-99, C53-99, C54-99, C55-99, C56-99, C57-99, C58-99, C59-99, C60-99, C61-99, C62-99, C63-99, C64-99, C65-99, C66-99, C67-99, C68-99, C69-99, C70-99, C71-99, C72-99, C73-99, C74-99, C75-99, C76-99, C77-99, C78-99, C79-99, C80-99, C81-99, C82-99, C83-99, C84-99, C85-99, C86-99, C87-99, C88-99, C89-99, C90-99, C91-99, C92-99, C93-99, C94-99, C95-99, C96-99, C97-99, C98-99, C99-99, C100-99.

THIS DOCUMENT CONTAINS INFORMATION OF A PROPRIETARY NATURE TO FENDER MUSICAL INSTRUMENTS AND IS LOANED TO YOU IN CONFIDENCE AND SHALL NOT BE REPRODUCED OR TRANSMITTED TO OTHERS WITHOUT AUTHORIZATION FROM FENDER MUSICAL INSTRUMENTS.

CHECKED BY: *[Signature]*
DATE: 10/15/99

APPROVED BY: *[Signature]*
DATE: 11/13/99

DRAWN: D. LEWIS, J. LEWIS, D. LEWIS
DATABASE FILE: 24252.SCH

MUSICAL INSTRUMENTS
2621 Research Drive
Corona, CA 91720 USA

TITLE: SERVICE DIAGRAM, COMBINED (schematic) BASSMAN 400 AMPLIFIERS POWER AMPLIFIER

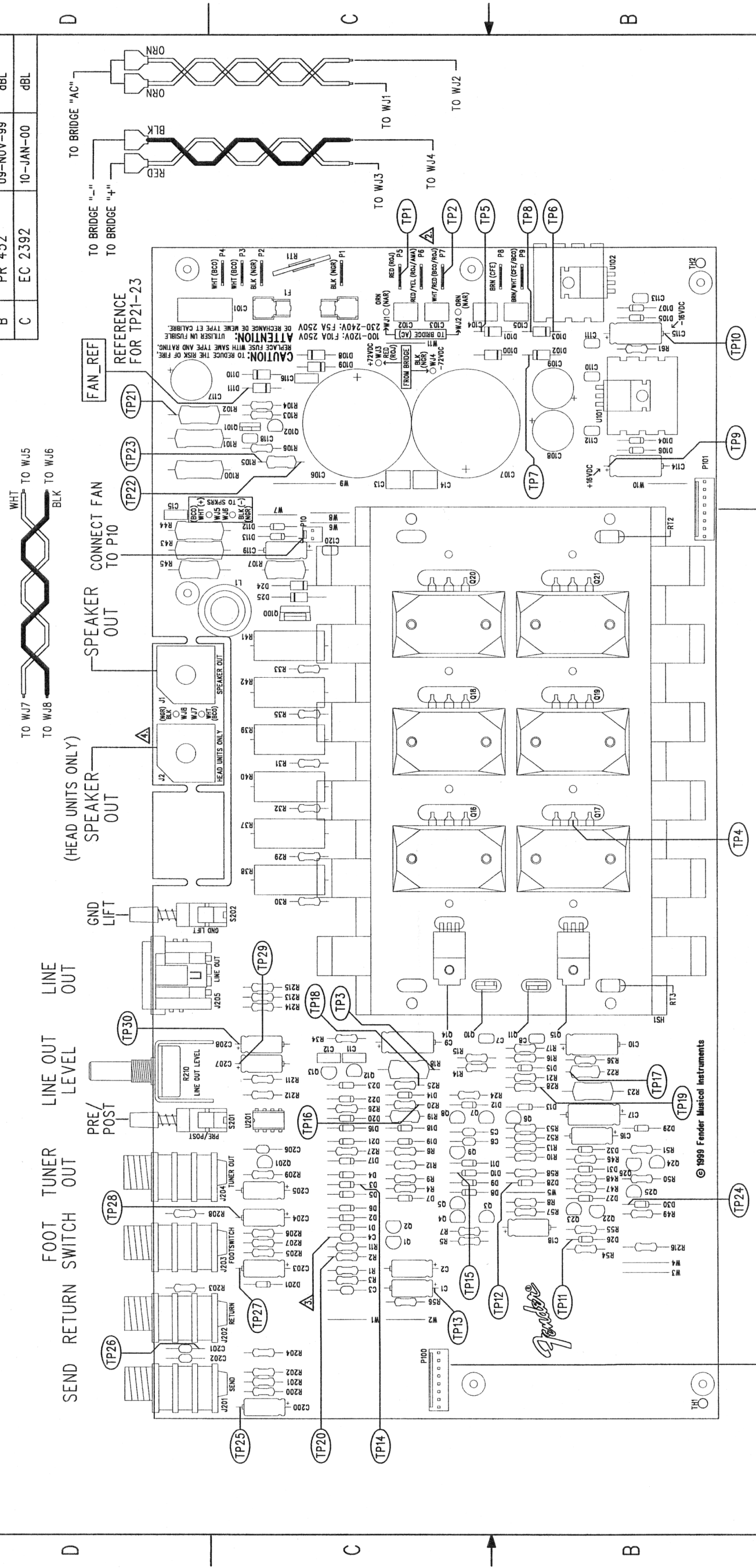
SIZE: DRAWING NUMBER D 0055682000
REV. C

RELEASE DATE: 03-SEP-99 SHEET: 1 OF 2

NOTES: (UNLESS OTHERWISE NOTED)
1. ALL RESISTORS IN OHMS, 5% 1/4W.
2. ALL UNPOLARIZED CAPACITORS IN μF, 50V, 50% TOLERANCE.
3. ALL POLARIZED CAPACITORS IN μF, 50V, 50% TOLERANCE.
4. ALL PWB ASSEMBLIES P/N 0055686000 (HEAD VERSION) AND P/N 0055684000 (HEAD VERSION).
5. THIS SCHEMATIC IS FOR PCB FABRICATION P/N 0055680000 AND P/N 0055684000 (HEAD VERSION).
6. ALL DIMENSIONS ARE IN INCHES UNLESS OTHERWISE NOTED.
7. REFER TO CONDITIONS FROM PREAMP SCHEMATIC- P/N 0055680000.
8. ALL DIMENSIONS ARE IN INCHES UNLESS OTHERWISE NOTED.
9. ALL DIMENSIONS ARE IN INCHES UNLESS OTHERWISE NOTED.
10. ALL DIMENSIONS ARE IN INCHES UNLESS OTHERWISE NOTED.
11. ALL DIMENSIONS ARE IN INCHES UNLESS OTHERWISE NOTED.
12. ALL DIMENSIONS ARE IN INCHES UNLESS OTHERWISE NOTED.
13. ALL DIMENSIONS ARE IN INCHES UNLESS OTHERWISE NOTED.
14. ALL DIMENSIONS ARE IN INCHES UNLESS OTHERWISE NOTED.
15. ALL DIMENSIONS ARE IN INCHES UNLESS OTHERWISE NOTED.
16. ALL DIMENSIONS ARE IN INCHES UNLESS OTHERWISE NOTED.
17. ALL DIMENSIONS ARE IN INCHES UNLESS OTHERWISE NOTED.
18. ALL DIMENSIONS ARE IN INCHES UNLESS OTHERWISE NOTED.
19. ALL DIMENSIONS ARE IN INCHES UNLESS OTHERWISE NOTED.
20. ALL DIMENSIONS ARE IN INCHES UNLESS OTHERWISE NOTED.

1 2 3 4 5 6 7 8

REVISIONS			
REV.	DESCRIPTION	DATE	APPROVED
A	PR 412	01-SEP-99	dBL
B	PR 452	09-NOV-99	dBL
C	EC 2392	10-JAN-00	dBL



(HEAD UNITS ONLY)

SPEAKER OUT

SPEAKER OUT

CONNECT FAN TO P10

REFERENCE FOR TP21-23

CAUTION: TO REDUCE THE RISK OF FIRE, REPLACE FUSE WITH SAME TYPE AND RATING. ATTENTION: UTILISER UN FUSIBLE DE RECHANGER DE MÊME TYPE ET CALIBRE.

100-120V: FSA 250V
230-240V: FSA 250V

CONNECT WITH PW101
FROM PREAMP PCB ASSEMBLY

CONNECT WITH PW100
FROM PREAMP PCB ASSEMBLY

FILM/DWG: SERVICE DIAGRAM
DATABASE: Z412P2.PCB DATE: 10-JAN-00

MUSICAL INSTRUMENTS
2621 Research Drive
Corona, CA 91720 USA

THIS DOCUMENT CONTAINS INFORMATION OF A PROPRIETARY NATURE TO FENDER MUSICAL INSTRUMENTS AND IS SUBMITTED TO YOU IN CONFIDENCE AND SHALL NOT BE DISCLOSED OR TRANSMITTED TO OTHERS WITHOUT AUTHORIZATION FROM FENDER MUSICAL INSTRUMENTS.

CHECKED BY: *B. Viers*
DATE: *13-JAN-00*

APPROVED BY: *ABC*
DATE: *11/13/00*

DRAWN: D. LEWIS ENGR: D. LEWIS
DATABASE FILE: Z412P2.PCB

TITLE: SERVICE DIAGRAM, COMBINED (PCB Assy)
BASSMAN 400 AMPLIFIERS
POWER AMPLIFIER

SIZE: **C**
DRAWING NUMBER: **005568200**
REV. **C**

RELEASE DATE: 03-SEP-99 SHEET 2 OF 2

- △ J2 STUFFED IN HEAD VERSIONS ONLY.
△ C4 NOT STUFFED.
△ REFER TO SHEET 1 FOR PROPER SECONDARY WIRING.
1. SEE SHEET 1 FOR PRIMARY WIRING, TEST CONDITIONS, TEST POINT VALUES, AND OUTPUT POWER TEST SETUP.
- NOTES: (UNLESS OTHERWISE NOTED)

1 2 3 4 5 6 7 8