

FENDER MODEL BASSMAN-AMP AA864^{1/2}

NOTICE

THIS PRODUCT MANUFACTURED UNDER ONE OR MORE OF THE FOLLOWING U.S. PATENTS: 2,877,000, 2,913,681, 1,928,659 AND PATENTS PENDING.

H-FD

- 1- VOLTAGES READ TO GROUND WITH ELECTRONIC VOLTMETER. VALUES SHOWN \pm OR $- 2.0\%$
- 2- ALL RESISTORS $\frac{1}{2}$ WATT, 10% TOLERANCE IF NOT SPECIFIED.
- 3- ALL CAPACITORS AT LEAST 400 VOLT RATING IF NOT SPECIFIED.

7 0 2 5

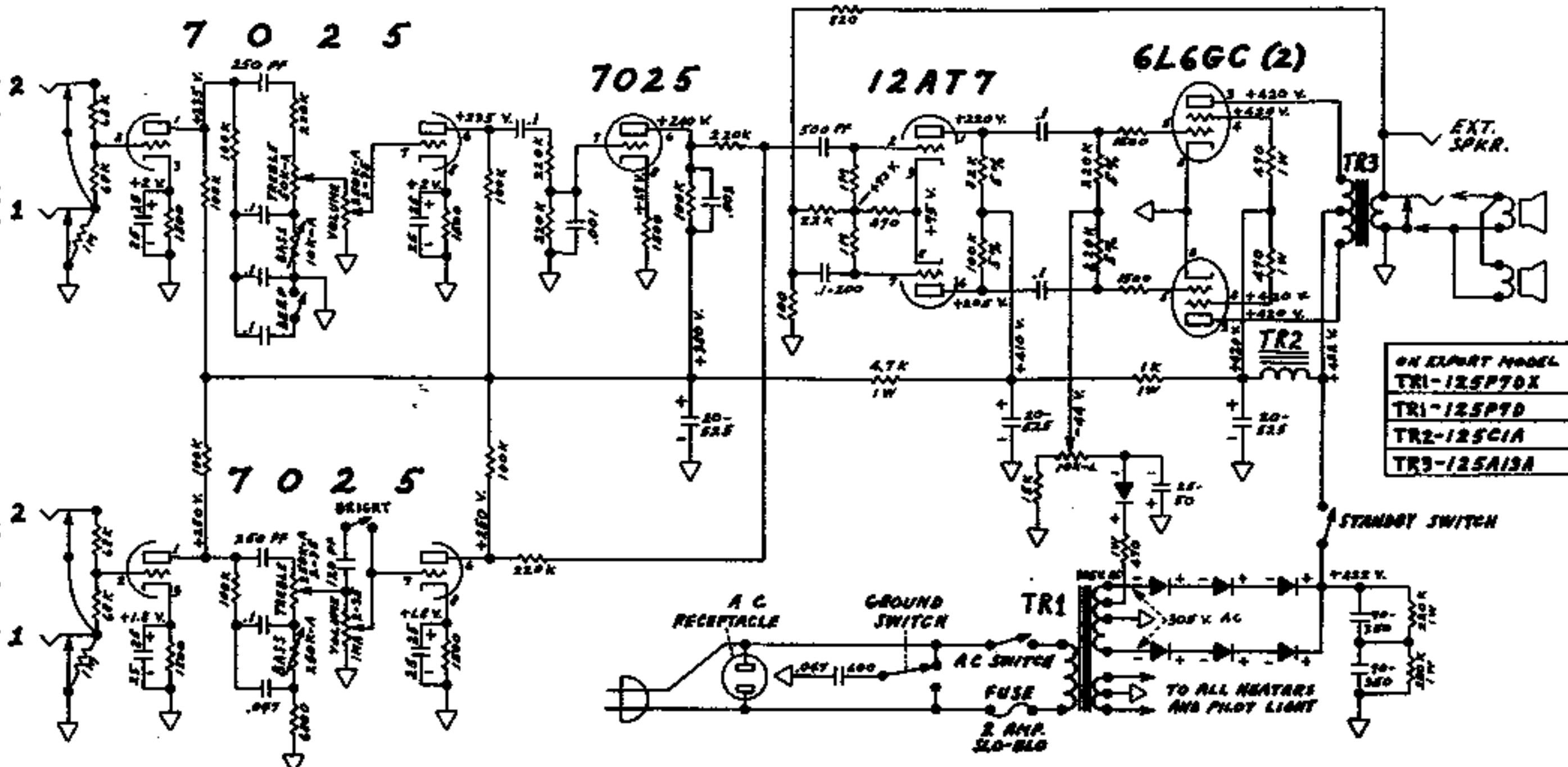
7025

12AT7

6L6GC (2)

BASS INSTRUMENT

NORMAL



ON EXPORT MODEL
TR1-125P70X
TR1-125P7D
TR2-125C1A
TR3-125A13A

EXT. SPKR.

STANDBY SWITCH

AC RECEPTACLE

GROUND SWITCH

TR1

FUSE
2 AMP
SLO-BLO

TO ALL HEATERS
AND PILOT LIGHT

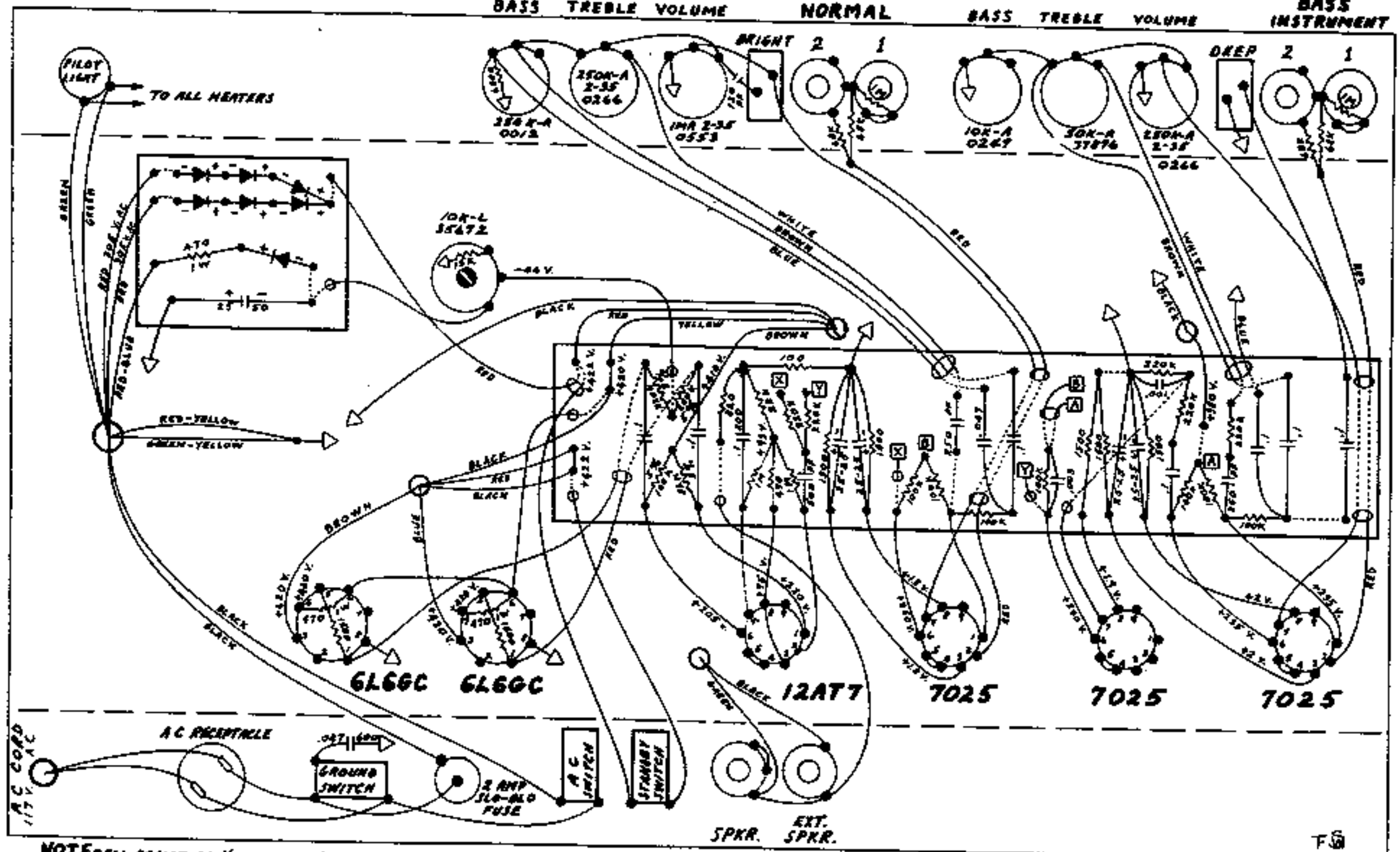
FENDER MODEL "BASSMAN-AMP AA864" LAYOUT

H-FD

7/8

NOTICE

VOLTAGES READ TO GROUND WITH ELECTRONIC VOLTMETER. VALUES SHOWN + OR - 20%



NOTE-ALL RESISTORS 1/2 WATT, 10% TOLERANCE, IF NOT SPECIFIED.

NOTE- ALL CAPACITORS AT LEAST 400 VOLT RATING IF NOT SPECIFIED.

FENDER MUSICAL INSTRUMENTS
 A DIVISION OF COLUMBIA RECORDS DISTRIBUTION CORP.
 SANTA ANA, CALIFORNIA
 U.S.A.

F5