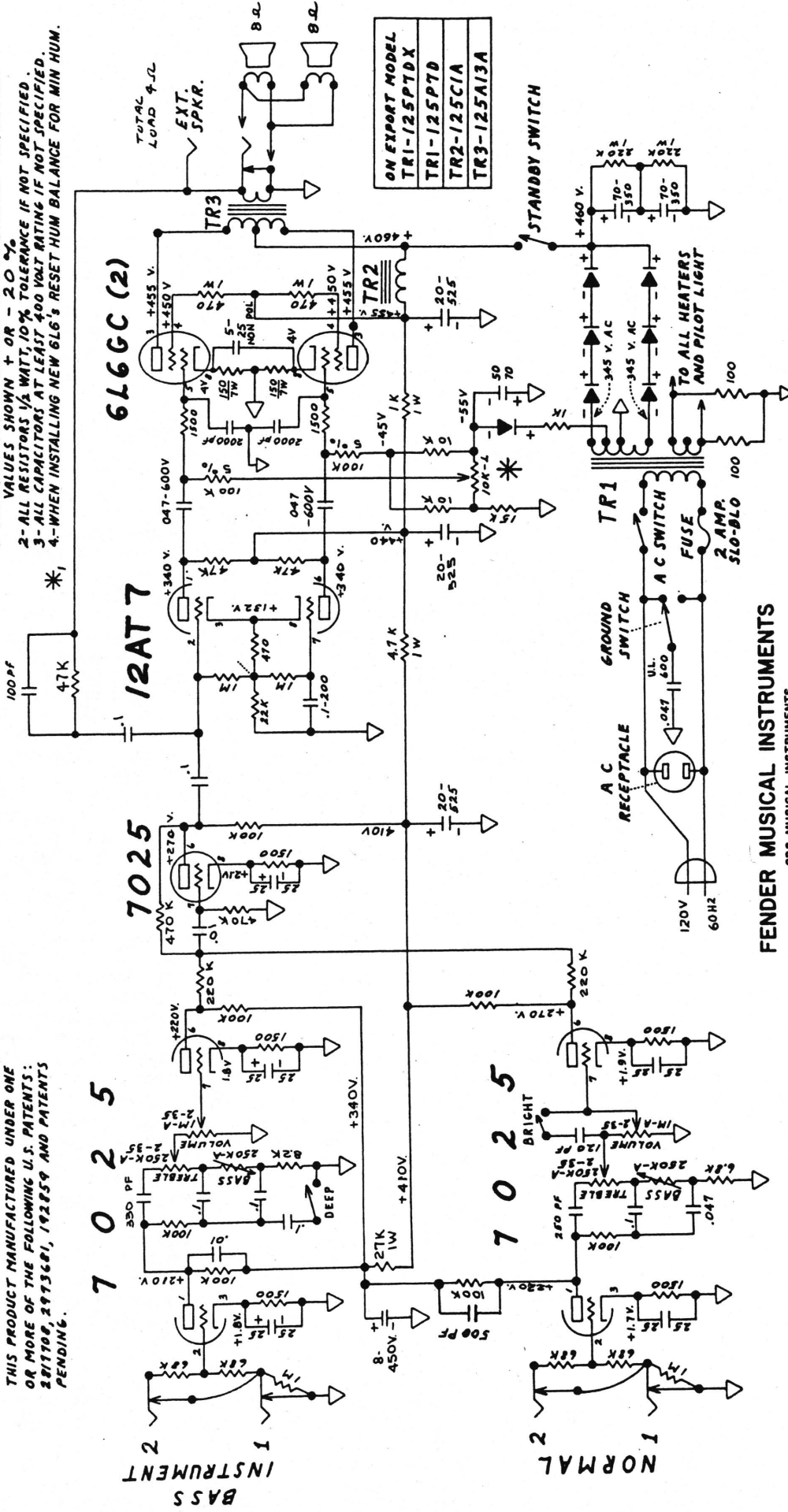


# FENDER MODEL "BASSMAN-AMP AC 568" % NOTICE

THIS PRODUCT MANUFACTURED UNDER ONE OR MORE OF THE FOLLOWING U.S. PATENTS: 2811709, 2913691, 192854 AND PATENTS PENDING.

- 1- VOLTAGES READ TO GROUND WITH ELECTRONIC VOLTMETER. VALUES SHOWN + OR - 20 %
- 2- ALL RESISTORS 1/2 WATT, 10% TOLERANCE IF NOT SPECIFIED.
- 3- ALL CAPACITORS AT LEAST 400 VOLT RATING IF NOT SPECIFIED.
- 4- WHEN INSTALLING NEW 6L6's RESET HUM BALANCE FOR MIN HUM.



ON EXPORT MODEL
TR1-125P7DX
TR1-125P7D
TR2-125C1A
TR3-125A13A

## FENDER MUSICAL INSTRUMENTS

CBS MUSICAL INSTRUMENTS  
 A DIVISION OF COLUMBIA BROADCASTING SYSTEMS INC.  
 SANTA ANA, CALIFORNIA  
 U.S.A.

DWG. TITLE	SCHEMATIC & WIRING DIAGRAM		
	BASSMAN-AMP		
	P/B		
REL. NO.	SIZE	DWG. NO.	REV.
A30	D	047779	C
SCALE	MODEL	TUBE TYPE	SHEET 1 OF 2
NONE	BASSMAN AMP		