

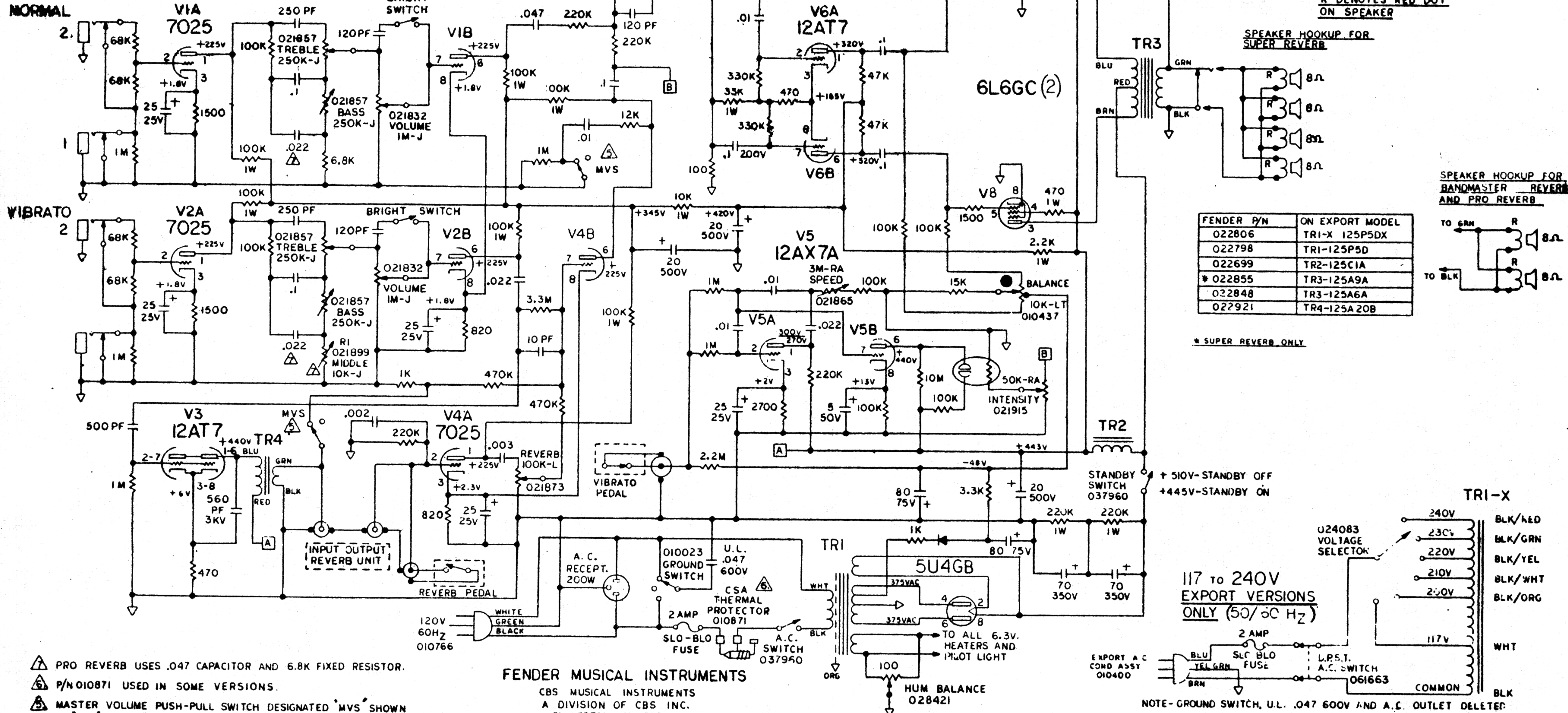
THIS PRODUCT MANUFACTURED UNDER ONE OR MORE OF THE FOLLOWING U.S. PATENTS 2817708, 2973681, 192859 AND PATENTS PENDING.

011540
MASTER VOLUME
AND PUSH-PULL
SWITCH

INPUTS

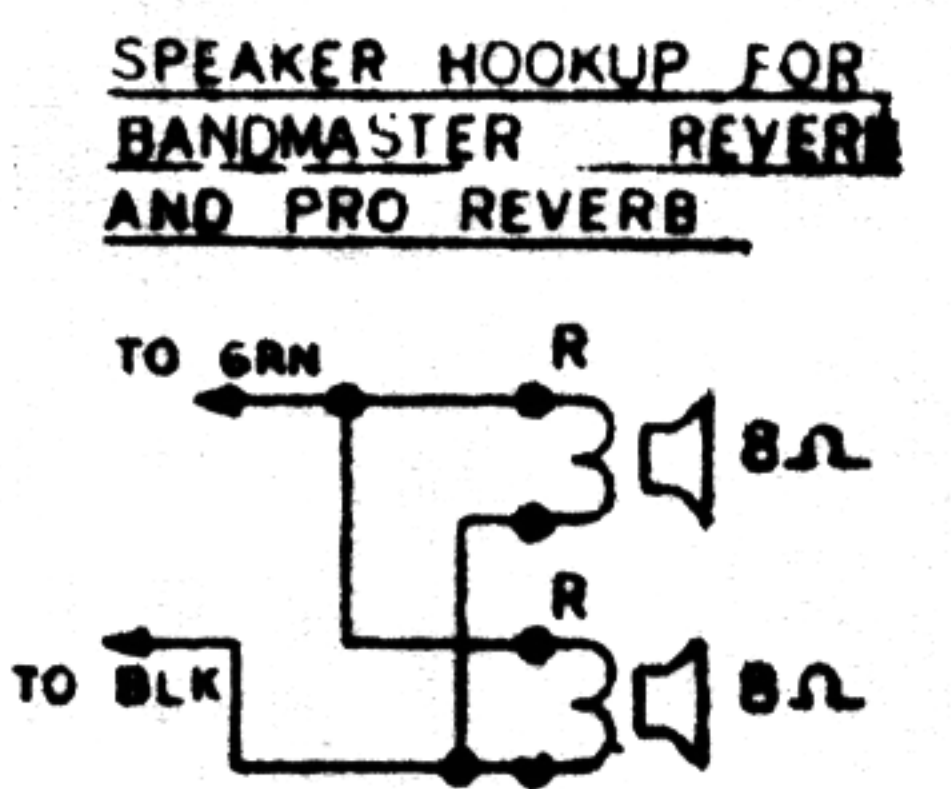
NORMAL

VIBRATO



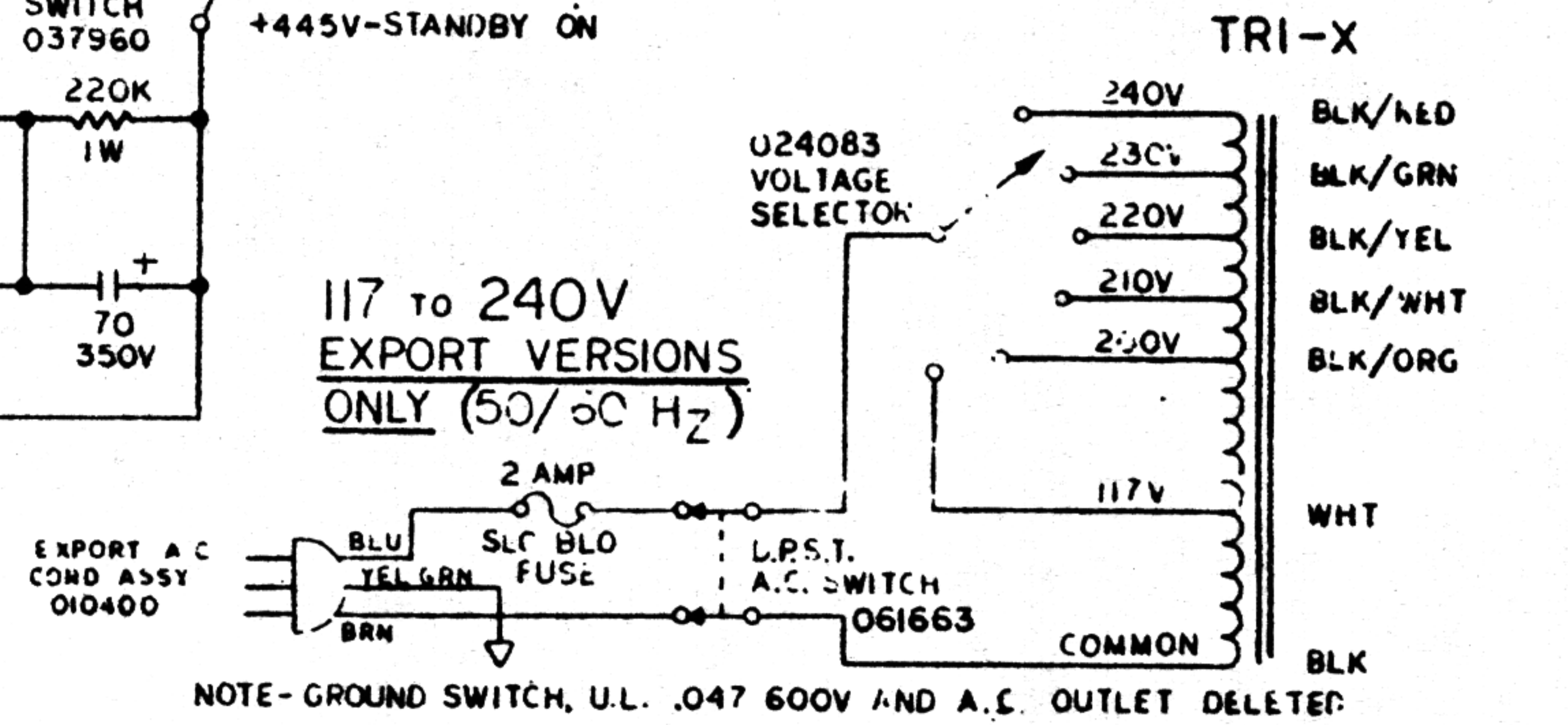
FENDER P/N	ON EXPORT MODEL
022806	TRI-X 125P5DX
022798	TRI-125P5D
022699	TR2-125C1A
* 022855	TR3-125A9A
022848	TR3-125A6A
022921	TR4-125A20B

* SUPER REVERB ONLY



- ⚠ PRO REVERB USES .047 CAPACITOR AND 6.8K FIXED RESISTOR.
- ⚠ P/N 010871 USED IN SOME VERSIONS.
- ⚠ MASTER VOLUME PUSH-PULL SWITCH DESIGNATED 'MVS' SHOWN IN 'OUT' POSITION, PUSH IN FOR PURE SOUND.
- 4. FENDER P/N FOR CONTROLS INDICATED.
- 3. ALL CAPACITORS AT LEAST 600V, W.V.D.C.
- 2. ALL RESISTORS 1/2 WATT ± 10%.
- 1. VOLTAGES READ TO GROUND WITH V.T.V.M. WITH VIBRATO GROUND (EXCEPT V5) - NO INPUT SIGNAL.

FENDER MUSICAL INSTRUMENTS
CBS MUSICAL INSTRUMENTS
A DIVISION OF CBS INC.
FULLERTON, CALIFORNIA
U.S.A.



CBS MUSICAL INSTRUMENTS
FULLERTON, CALIFORNIA

DWG TITLE — SCHEMATIC —
45 WATTS RMS AMP
W/ REVERB AND VIBRATO

DWG NO. 012108

1974-75 45w Master Volume Push/Pull Sw - Super Reverb - Pro Reverb - Bandmaster Reverb

SAMPLES OF FIRST ARTICLE PARTS MUST BE APPROVED BY CBS R & D ENG. BEFORE STARTING PRODUCTION.
NONE UNLESS OTHERWISE SPECIFIED