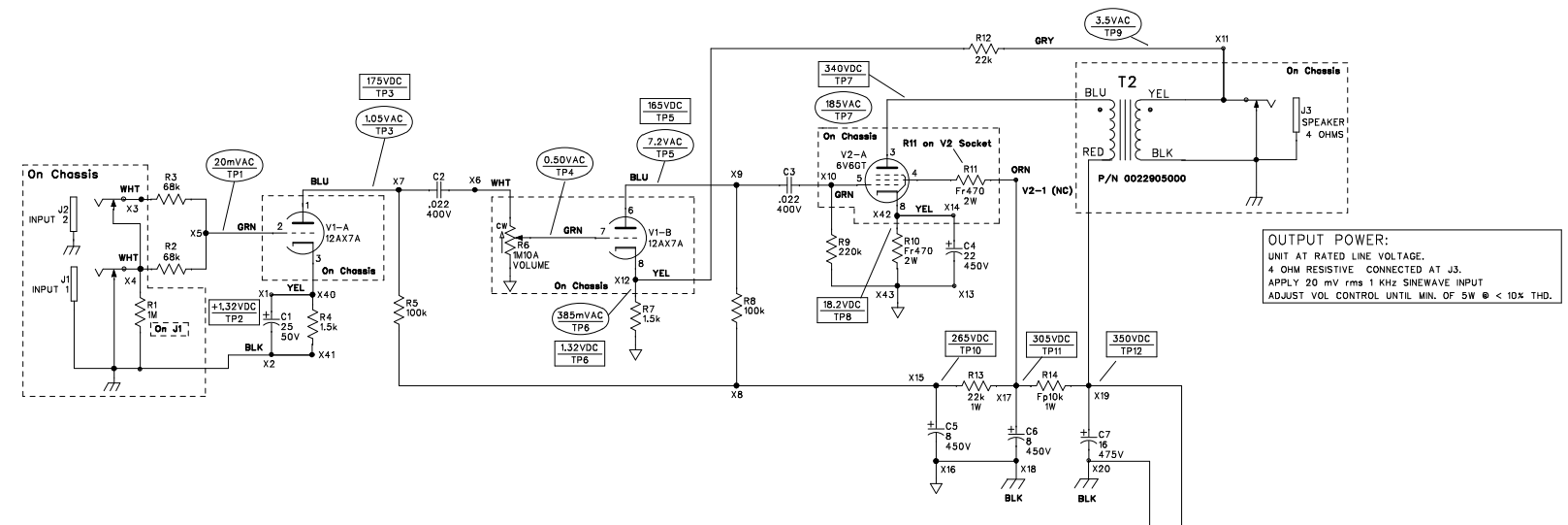


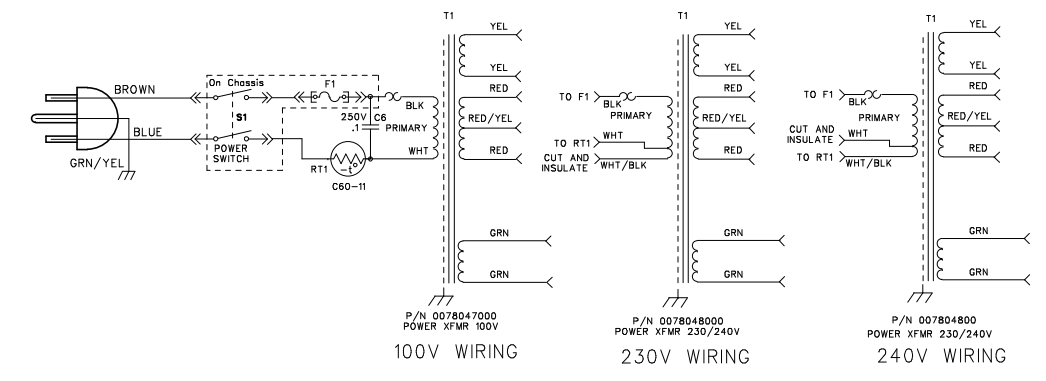
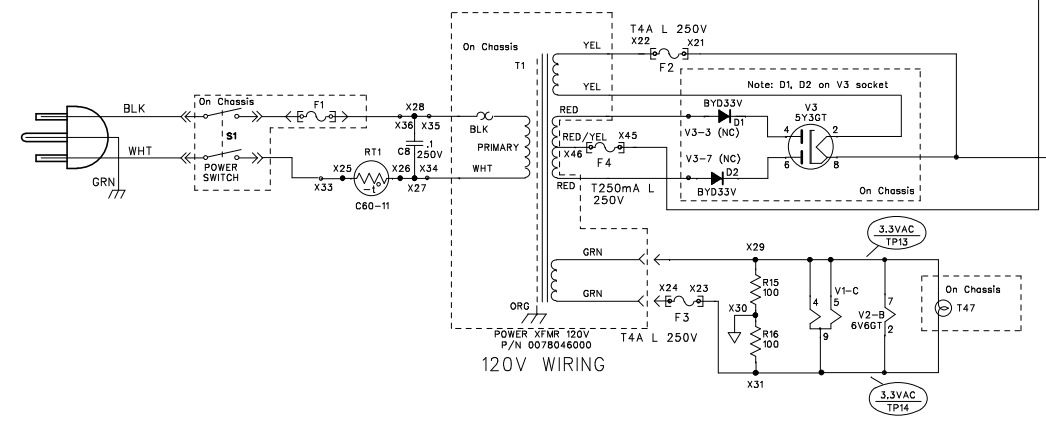
REVISIONS			
REV.	DESCRIPTION	DATE	APPROVED
A	PR863	25-NOV-08	HBK
B	EC4137	16-MAR-09	HBK



POWER TRANSFORMER AND LINE FUSE

LINE VOLTAGE	TRNSFM.(T1)	FUSE (F1)
120V 60HZ	0078046000	F1.25A L, 250V 3AG
100V 50/60HZ	0078047000	F1.25A L, 250V 3AG
230V/240V 50HZ	0078048000	F1A L, 250V 5x20

NOTE: EXTERNAL FUSE IN FUSE CARRIER



- ALL AC VOLTAGES ARE +/- 10%. VOL @ 50%. INPUT 20 mV, 1 KHZ.
- THIS SCHEMATIC IS FOR PCB FABRICATION P/N 0078935000 AND PCB ASSEMBLY P/N 0078934000.
- ALL DC VOLTAGES ARE MEASURED WITH NO SIGNAL.
- ALL POLARIZED CAPACITORS IN uF, 20% 50V MINIMUM.
- ALL UNPOLARIZED CAPACITORS IN uF, 10% OR BETTER; 50V MINIMUM. (POWER SUPPLY BYPASS CAPACITORS ARE 20%).
- ALL RESISTORS IN OHMS, 5% 1/2W.

NOTES: (UNLESS OTHERWISE NOTED)

THIS DOCUMENT CONTAINS INFORMATION OF A PROPRIETARY NATURE TO FENDER MUSICAL INSTRUMENTS AND IS SUBMITTED TO YOU IN CONFIDENCE AND SHALL NOT BE DISCLOSED OR TRANSMITTED TO OTHERS WITHOUT AUTHORIZATION FROM FENDER MUSICAL INSTRUMENTS.

Fender MUSICAL INSTRUMENTS
Corona, CA U.S.A.

CHECKED BY: _____
DATE: _____

APPROVED BY: _____
DATE: _____

DRAWN: H.KAPLAN ENGR: H.KAPLAN
DATABASE FILE: Z863.SCH

TITLE: SERVICE DIAGRAM, COMBINED (schematic)
'57 CHAMP
AMPLIFIER

SIZE	DRAWING NUMBER	REV.
D	0076936000	B

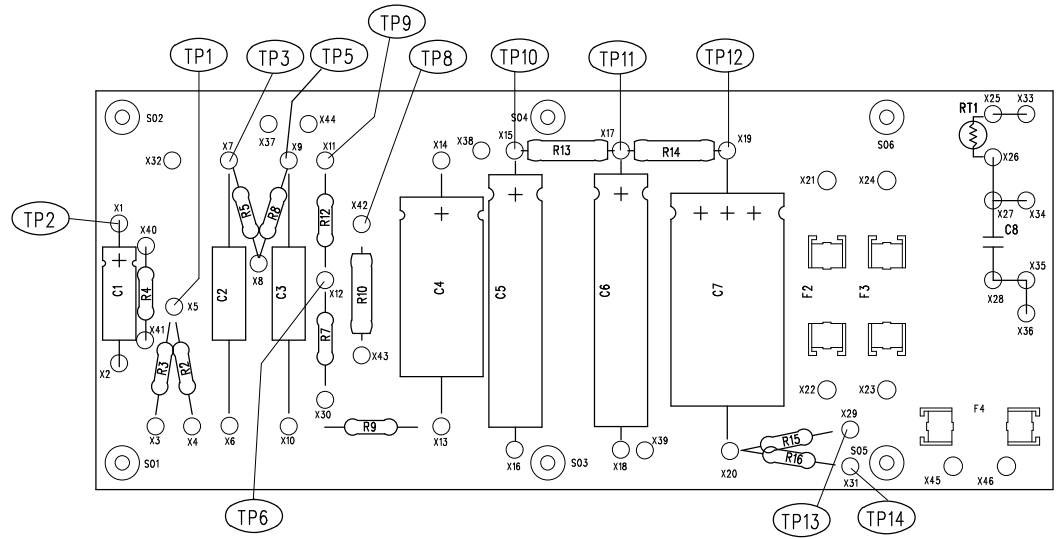
RELEASE DATE: 25-NOV-08 SHEET: 1 OF 2

8 7 6 5 4 3 2 1

REVISIONS			
REV.	DESCRIPTION	DATE	APPROVED
A	PR863	25-NOV-08	H B K
B	EC4137	16-MAR-09	H B K

D
C
B
A

FILE/IMG: SERVICE DIAGRAM
DATABASE: PR863P.PCB DATE: 16-MAR-09



1.) WIRES NOT SHOWN FOR CLARITY
NOTES: (UNLESS OTHERWISE NOTED)

THIS DOCUMENT CONTAINS INFORMATION OF A PROPRIETARY NATURE TO FENDER MUSICAL INSTRUMENTS AND IS SUBMITTED TO YOU IN CONFIDENCE AND SHALL NOT BE DISCLOSED OR TRANSMITTED TO OTHERS WITHOUT AUTHORIZATION FROM FENDER MUSICAL INSTRUMENTS.		<i>Fender</i> MUSICAL INSTRUMENTS Corona, CA U.S.A.	
CHECKED BY: _____ DATE: _____		TITLE: SERVICE DIAGRAM, COMBINED (PCB assy) '57 CHAMP	
APPROVED BY: _____ DATE: _____		SIZE C	DRAWING NUMBER 0076936000
DRAWN: H. KAPLAN	ENGR: H. KAPLAN	RELEASE DATE: 25-NOV-08	REV. B
DATABASE FILE: Z863P.PCB		SHEET 2 OF 2	

8 7 6 5 4 3 2 1