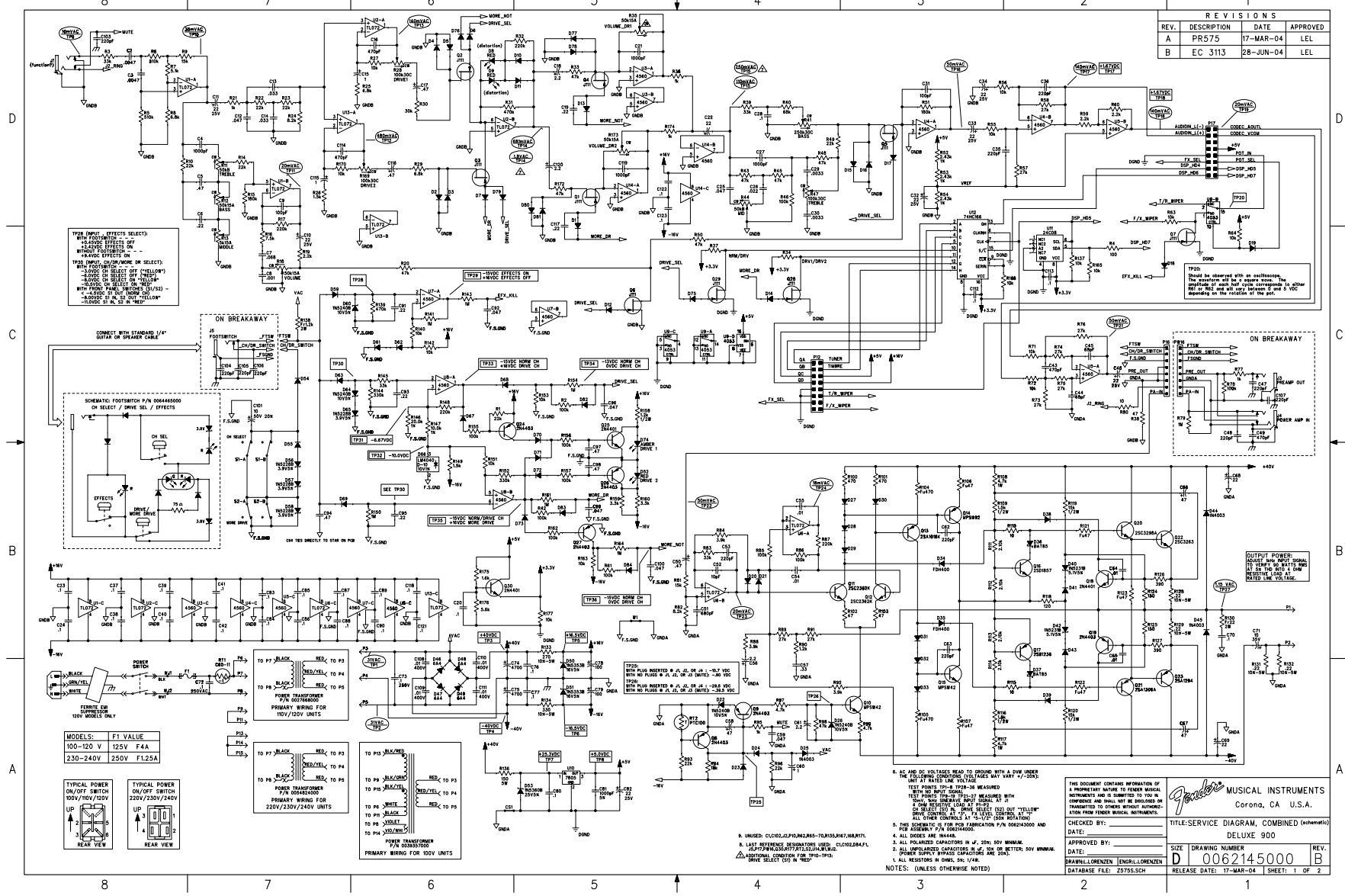
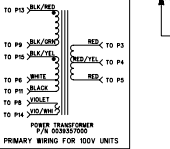
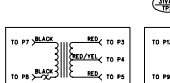
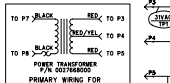
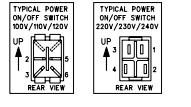


| REVISIONS | | | |
|-----------|-------------|-----------|----------|
| REV. | DESCRIPTION | DATE | APPROVED |
| A | PR575 | 17-MAR-04 | LEL |
| B | EC 3113 | 28-JUN-04 | LEL |



OUTPUT POWER:
POWER AMP. MUST BE USED
ALL IN THE 100V/120V RANGE
RESISTIVE LOAD AT
RATED LINE VOLTAGE.

| MODELS: | F1 VALUE |
|-----------|------------|
| 100-120 V | 125V F4A |
| 230-240V | 250V F125A |



1. ALL DC TO VOLTAGE READ TO GROUND WITH A DVM UNDER THE FOLLOWING CONDITIONS: VOLTAGES MAY VARY +/- 25%.
2. ALL POLARIZED CAPACITORS IN µF, 25% TOLERANCE.
3. ALL UNPOLARIZED CAPACITORS IN µF, 20% OR BETTER; 50V MINIMUM RATED VOLTAGE CAPACITORS ARE 20%.
4. ALL DIODES ARE 1N4148.
5. THE SCHEMATIC IS FOR PCB FABRICATION P/N 006243000 AND FOR ASSEMBLY P/N 006243000.
6. USE REFERENCE DESIGNATIONS: 12AX7, 6L6GC, 6X4, 6X5, 6X6, 6X7, 6X8, 6X9, 6X10, 6X11, 6X12, 6X13, 6X14, 6X15, 6X16, 6X17, 6X18, 6X19, 6X20, 6X21, 6X22, 6X23, 6X24, 6X25, 6X26, 6X27, 6X28, 6X29, 6X30, 6X31, 6X32, 6X33, 6X34, 6X35, 6X36, 6X37, 6X38, 6X39, 6X40, 6X41, 6X42, 6X43, 6X44, 6X45, 6X46, 6X47, 6X48, 6X49, 6X50, 6X51, 6X52, 6X53, 6X54, 6X55, 6X56, 6X57, 6X58, 6X59, 6X60, 6X61, 6X62, 6X63, 6X64, 6X65, 6X66, 6X67, 6X68, 6X69, 6X70, 6X71, 6X72, 6X73, 6X74, 6X75, 6X76, 6X77, 6X78, 6X79, 6X80, 6X81, 6X82, 6X83, 6X84, 6X85, 6X86, 6X87, 6X88, 6X89, 6X90, 6X91, 6X92, 6X93, 6X94, 6X95, 6X96, 6X97, 6X98, 6X99, 6X100.
7. ALL RESISTORS IN OHMS, 5% 1/8W.
8. UNLESS OTHERWISE NOTED.

THIS DOCUMENT CONTAINS INFORMATION OF A PROPRIETARY NATURE TO FENDER MUSICAL INSTRUMENTS AND IS LOANED TO YOU IN CONFIDENCE AND SHALL NOT BE DISCLOSED OR TRANSMITTED TO OTHERS WITHOUT AUTHORIZATION FROM FENDER MUSICAL INSTRUMENTS.

CHECKED BY: _____ DATE: _____

APPROVED BY: _____ DATE: _____

DR: M.L. LORENZEN EN: M.L. LORENZEN

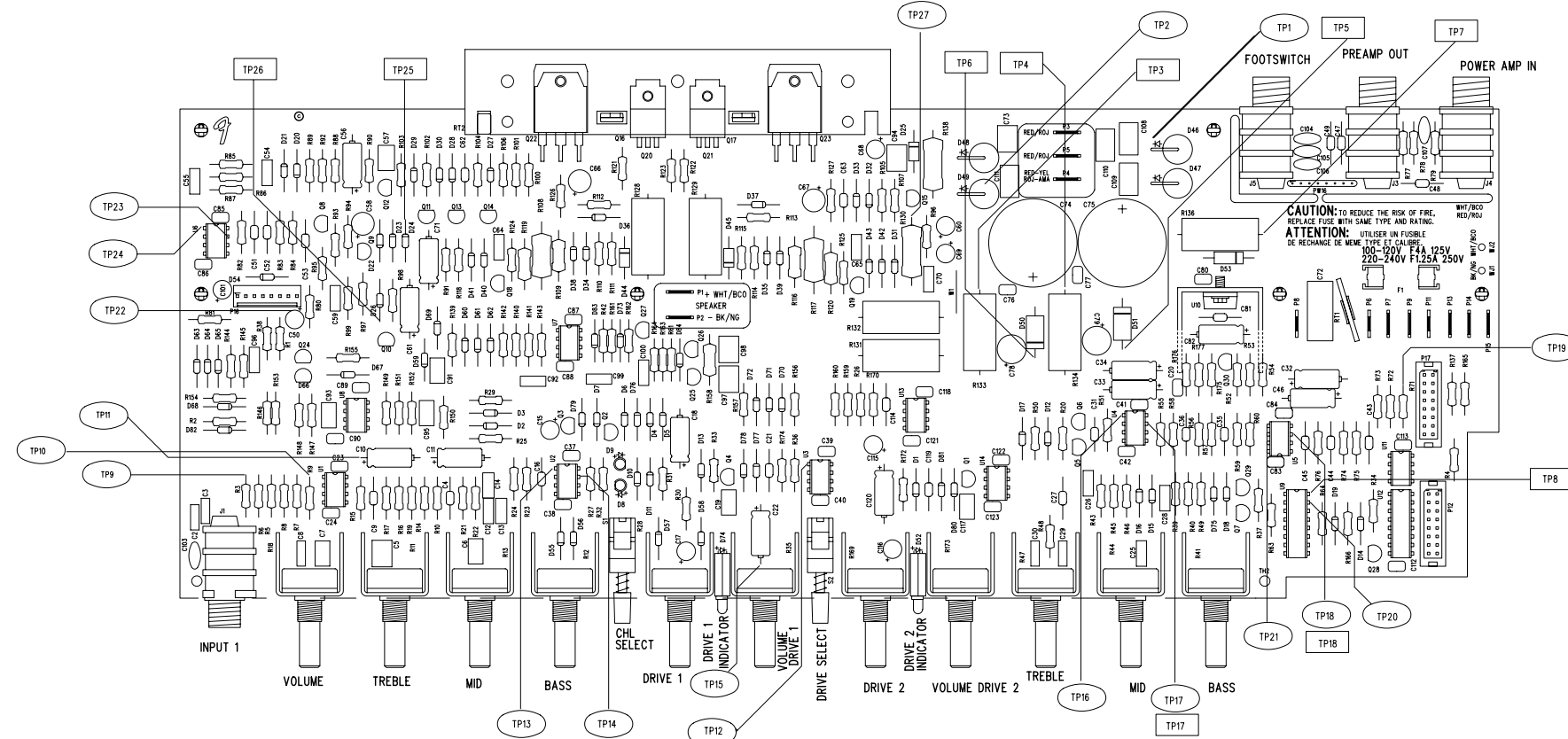
RELEASE DATE: 17-MAR-04 SHEET: 1 OF 2

Fender MUSICAL INSTRUMENTS
Corona, CA U.S.A.

TITLE: SCHEMATIC DIAGRAM, COMBINED (continued)
DELUXE 900

DRAWING NUMBER: 006243000
DATABASE FILE: 23755.SCH

| REVISIONS | | | |
|-----------|-------------|-----------|----------|
| REV. | DESCRIPTION | DATE | APPROVED |
| A | PR575 | 17-MAR-04 | L.L. |
| B | EC 3113 | 28-JUN-04 | L E L |

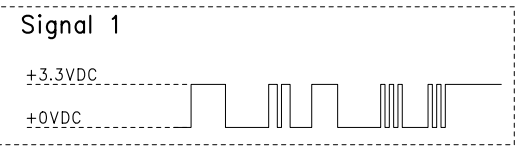
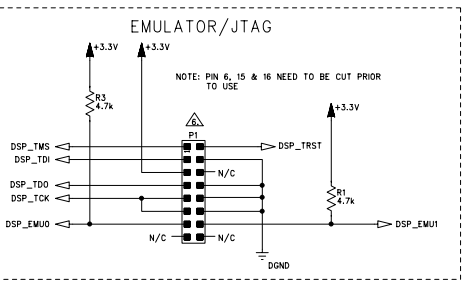
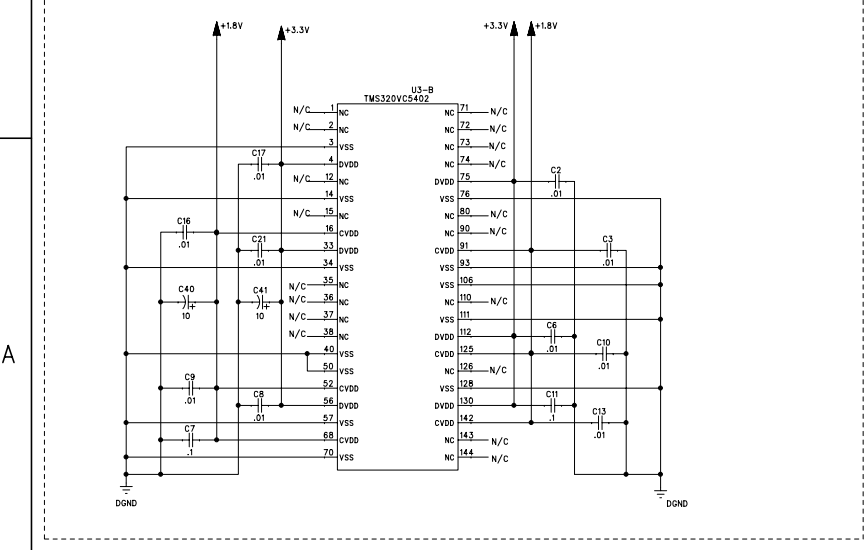
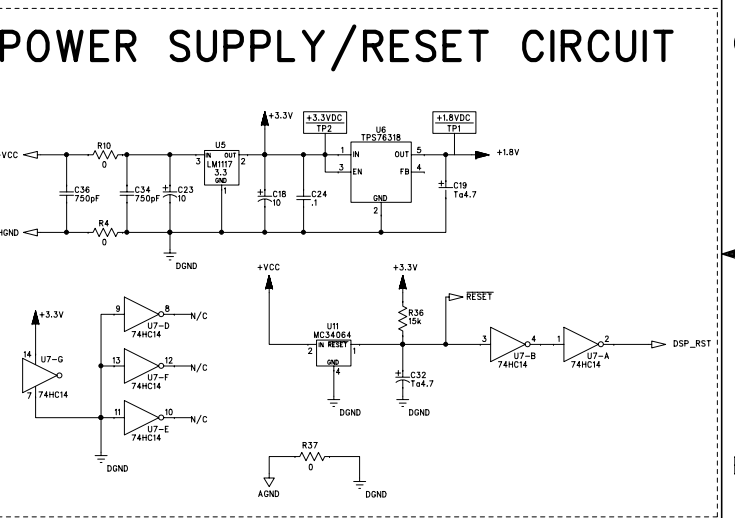
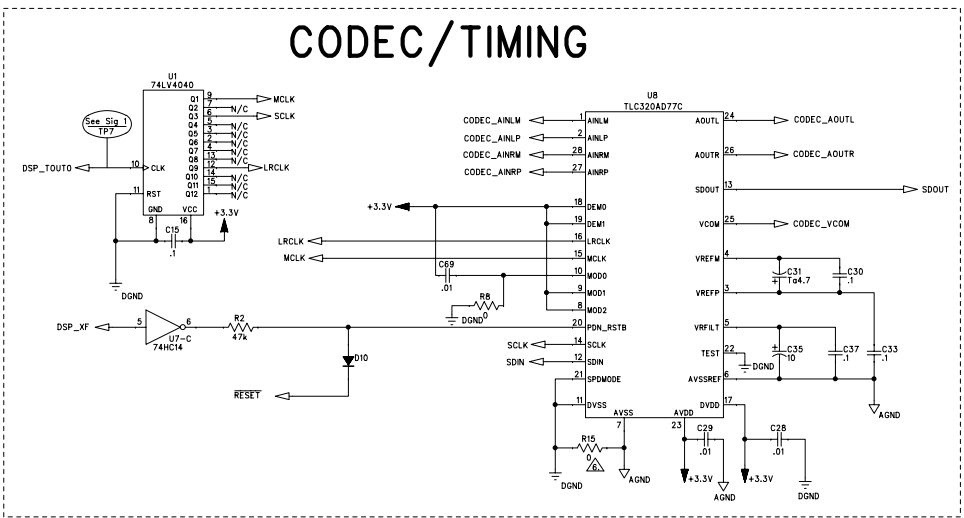
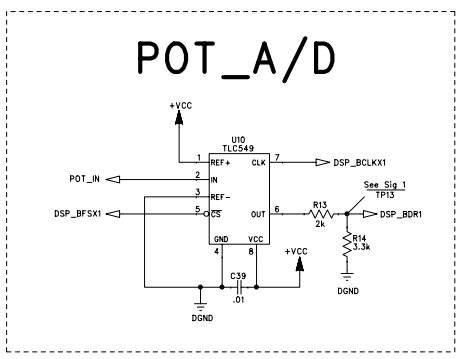
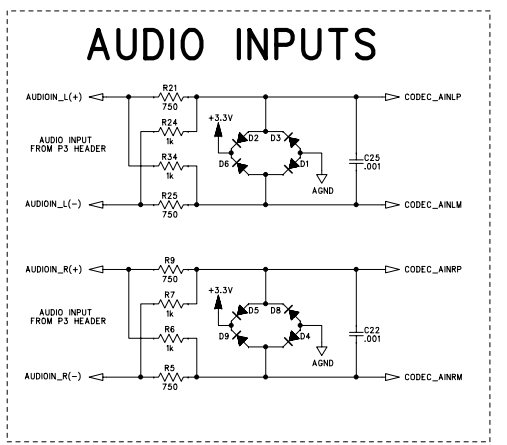
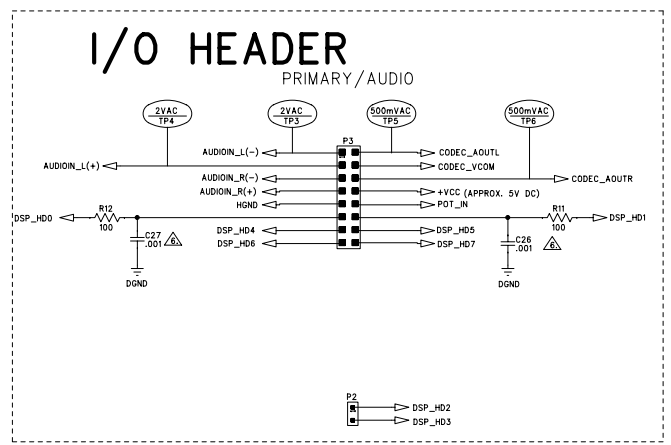
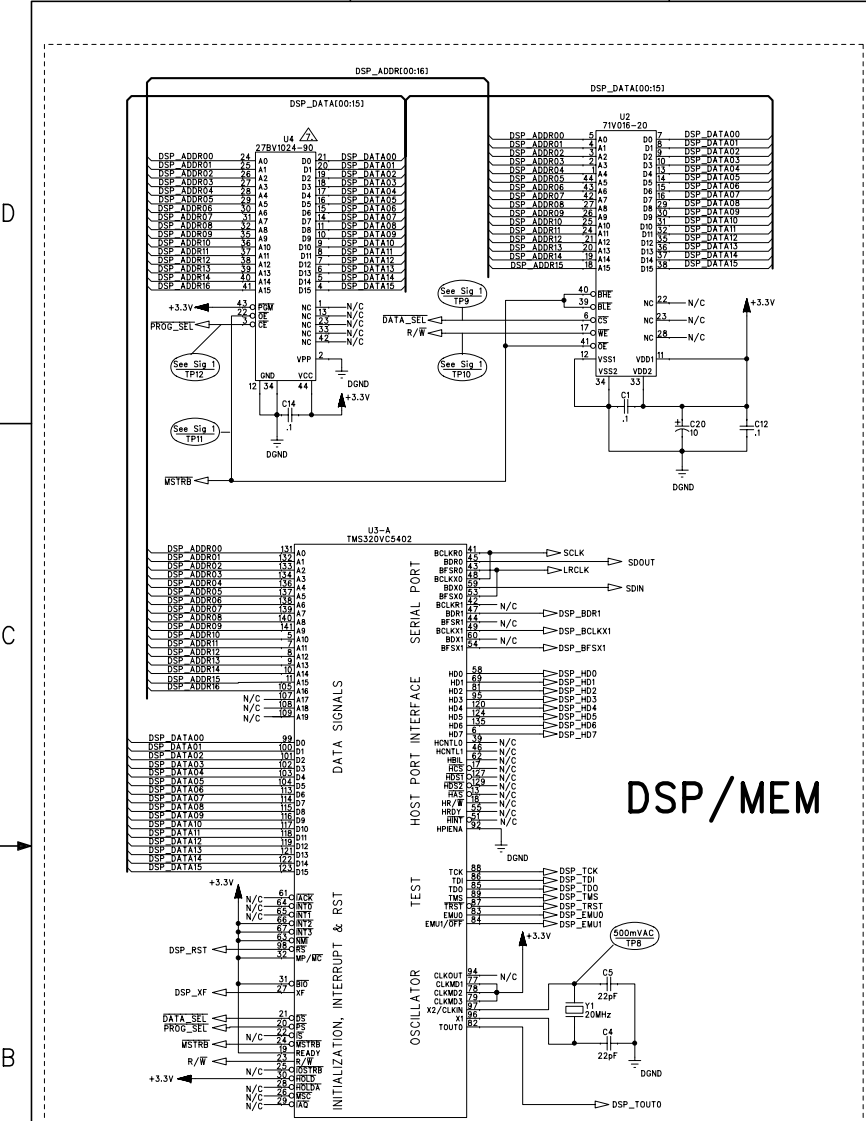


FILM/DWG: SERVICE DIAGRAM
 DATABASE: Z575P.PCB DATE: 28-JUN-04

1. SEE SHEET 1 FOR PRIMARY, WIRING, TEST CONDITIONS & TEST POINT VALUES.
 NOTES: (UNLESS OTHERWISE NOTED)

| | | | |
|---|-------------------|---|---------------|
| THIS DOCUMENT CONTAINS INFORMATION OF A PROPRIETARY NATURE TO FENDER MUSICAL INSTRUMENTS AND IS SUBMITTED TO YOU IN CONFIDENCE AND SHALL NOT BE DISCLOSED OR TRANSMITTED TO OTHERS WITHOUT AUTHORIZATION FROM FENDER MUSICAL INSTRUMENTS. | | MUSICAL INSTRUMENTS Corona, CA U.S.A. | |
| CHECKED BY: | DATE: | TITLE: SERVICE DIAGRAM, COMBINED (PCB assy) DELUXE 900 MAIN PCB | |
| APPROVED BY: | DATE: | SIZE: D DRAWING NUMBER: 0062145000 | REV. B |
| DRAWN: L. LORENZEN | ENGR: L. LORENSEN | RELEASE DATE: 17-MAR-04 | SHEET 2 OF 2 |
| DATABASE FILE: Z575P.PCB | | | |

| REVISIONS | | | |
|-----------|-------------|-----------|----------|
| REV. | DESCRIPTION | DATE | APPROVED |
| A | PR480 | 29-NOV-01 | J T L |
| B | EC 2743 | 07-MAR-02 | J T L |
| C | EC 2789 | 10-JUN-02 | J C S |
| D | PR542 | 25-APR-03 | R J D |



- NOTES: (UNLESS OTHERWISE NOTED)
- INSTALL IC IN SOCKET. FENDER P/N 0056585005
 - DO NOT STUFF C26-27, P1, R15.
 - THIS SCHEMATIC IS FOR PCB FABRICATION P/N 0057284000 AND PCB ASSEMBLY P/N 0057285000.
 - ALL DIODES ARE 1N4148.
 - ALL UNPOLARIZED CAPACITORS IN uF, 20% OR BETTER; 16V MINIMUM. (POWER SUPPLY BYPASS CAPACITORS ARE 20%).
 - ALL RESISTORS IN OHMS, 5% 1/10W.

THIS DOCUMENT CONTAINS INFORMATION OF A PROPRIETARY NATURE TO FENDER MUSICAL INSTRUMENTS AND IS SUBMITTED TO YOU IN CONFERENCE AND SHALL NOT BE DISCLOSED OR TRANSMITTED TO OTHERS WITHOUT AUTHORIZATION FROM FENDER MUSICAL INSTRUMENTS.

Fender MUSICAL INSTRUMENTS
Corona, CA U.S.A.

CHECKED BY: _____
DATE: _____

APPROVED BY: _____
DATE: _____

DRAWN: J. Jimenez ENGR: J. Lamb
DATABASE FILE: Z4815.SCH

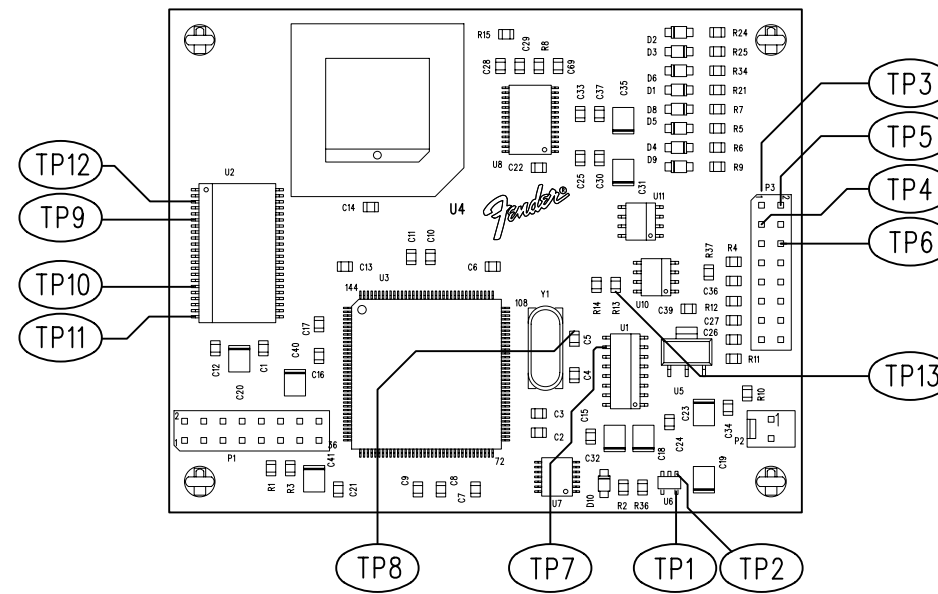
TITLE: SERVICE DIAGRAM, COMBINED (schematic) MICRO DSP

SIZE: **D** DRAWING NUMBER: **0057283000** REV. **D**

RELEASE DATE: 29-NOV-01 SHEET: 1 OF 2

REVISIONS


| REV. | DESCRIPTION | DATE | APPROVED |
|------|-------------|-----------|----------|
| A | PR480 | 30-NOV-01 | J T L |
| B | EC 2743 | 07-MAR-02 | J T L |
| C | EC 2789 | 10-JUN-02 | J C S |
| D | PR542 | 25-APR-03 | R J D |



FILM/DWG: SERVICE DIAGRAM
 DATABASE: Z481P.PCB DATE: 25-APR-03

1. SEE SHEET 1 FOR TEST CONDITIONS AND TEST POINT VALUES.

NOTES: (UNLESS OTHERWISE NOTED)

| | | | |
|---|---------------|--|------------------------------|
| THIS DOCUMENT CONTAINS INFORMATION OF A PROPRIETARY NATURE TO FENDER MUSICAL INSTRUMENTS AND IS SUBMITTED TO YOU IN CONFIDENCE AND SHALL NOT BE DISCLOSED OR TRANSMITTED TO OTHERS WITHOUT AUTHORIZATION FROM FENDER MUSICAL INSTRUMENTS. | |  MUSICAL INSTRUMENTS Corona, CA U.S.A. | |
| CHECKED BY: _____ DATE: _____ | | TITLE: SERVICE DIAGRAM, COMBINED (PCB assy) uDSP SERIES | |
| APPROVED BY: _____ DATE: _____ | | SIZE B | DRAWING NUMBER 0057283000 |
| DRAWN: J. Jimenez | ENGR: J. Lamb | REV. D | |
| DATABASE FILE: Z481P.PCB | | RELEASE DATE: 30-NOV-01 | SHEET 2 OF 2 |