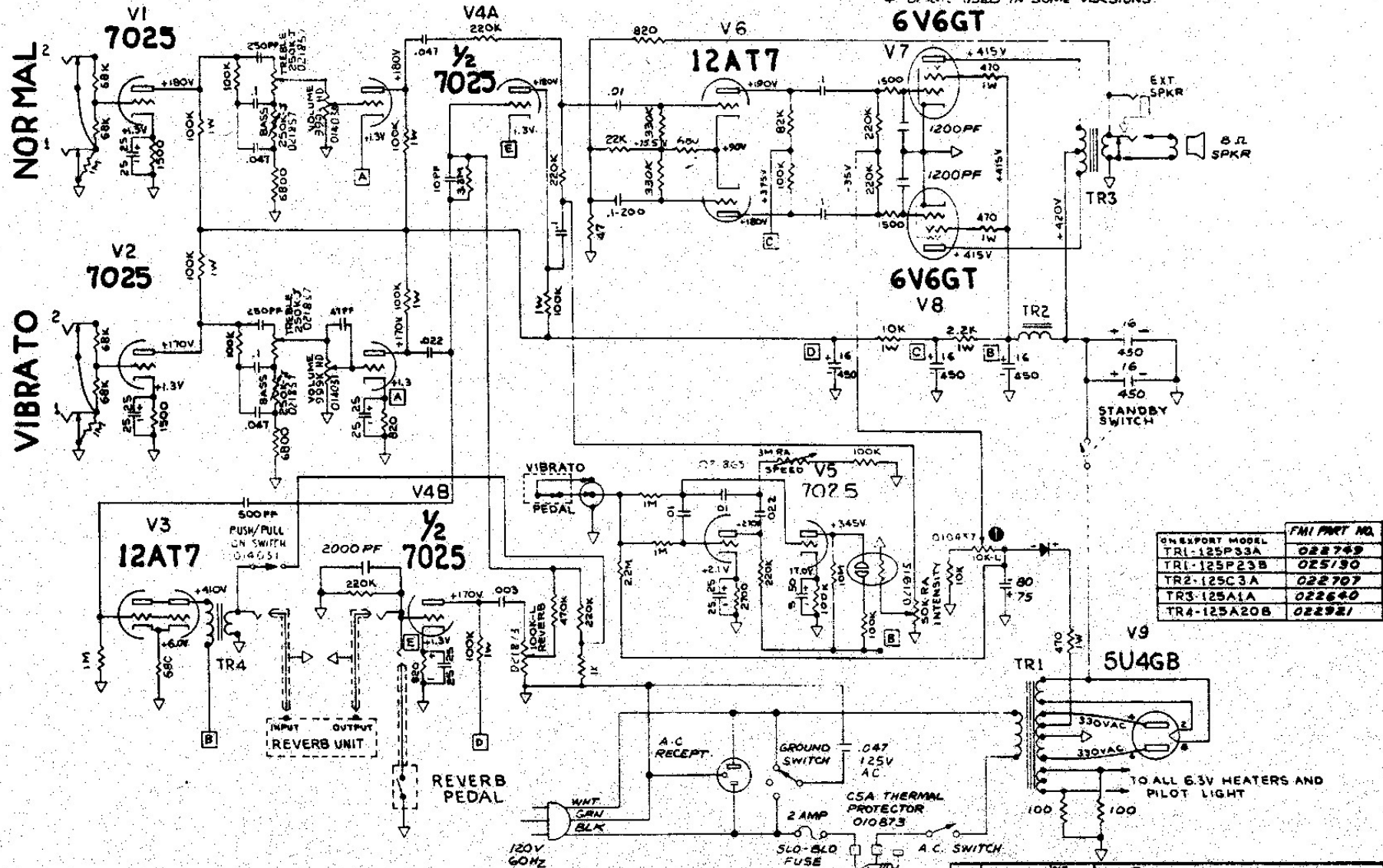


FENDER DELUXE REVERB-AMP

SCHEMATIC NOTICE

THIS PRODUCT MANUFACTURED UNDER ONE OR MORE OF THE FOLLOWING U.S. PATENTS: CIRCUIT PATENT # 2817708, #2973681 DESIGN PATENT # 192859

- 1 - VOLTAGES READ TO GROUND WITH ELECTRONIC VOLTMETER
- 2 - VALUES SHOWN ± 5% OR ± 10%
- 3 - ALL RESISTORS 1/2 WATT 10% TOLERANCE IF NOT SPECIFIED
- 4 - ALL CAPACITORS AT LEAST 100VOLT RATING IF NOT SPECIFIED
- 5 - 010473 USED IN SOME VERSIONS



EXPORT MODEL	FMI PART NO.
TRI-125P33A	022749
TRI-125P23B	025190
TR2-125C3A	022707
TR3-125A1A	022640
TR4-125A20B	022921

OWN.	EDM	DKO	REV	10-4-77	MUSICAL INSTRUMENTS SANTA ANA, CALIFORNIA
CHK.					
APPD.					
APPD.					
APPD.	10/16/77			10/16/77	DWG. TITLE SCHEMATIC & WIRING DIAGRAM DELUXE REV-AMP (W/ VOLUME BOOST)
APPROVAL -					REL. NO. 1016-7 REV. C DWG. NO. 01464.1
APPROVAL -					SCALE MODEL DELUXE REV-AMP SHEET 1 OF 1