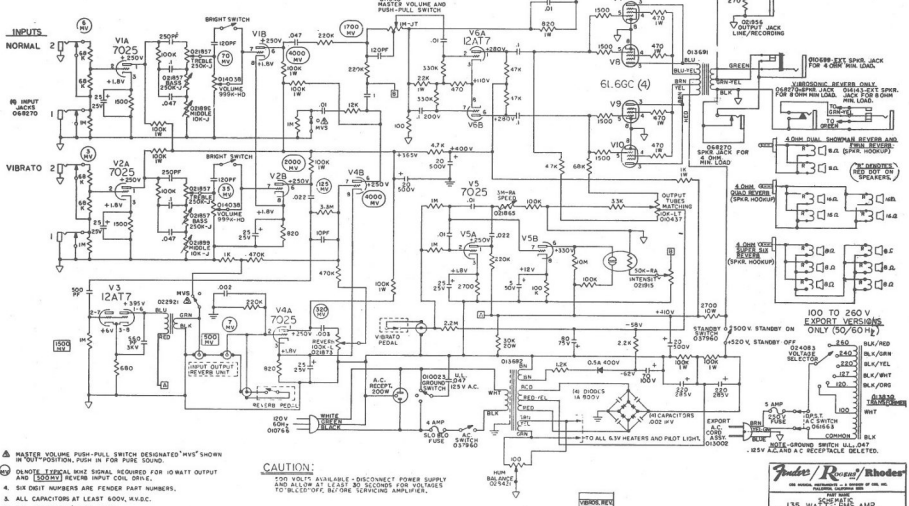


INPUTS

NORMAL  
1  
2

VIBRATO  
1  
2



- Δ MASTER VOLUME PUSH-PULL SWITCH DESIGNATED \*MVS\* SHOWN IN "OFF" POSITION, PUSH IN FOR PUSH.
- ∇ OLWNT: IDEAL RMS SIGNAL REQUIRED FOR 10 WATT OUTPUT AND 1300 MAX REVERSE INPUT VOL. DRIN. E.
- 4. SIX DIGIT NUMBERS ARE GENERIC PART NUMBERS.
- 3. ALL CAPACITORS AT LEAST 600V, M.V.D.C.
- 2. ALL RESISTORS 1/2 WATT ±10%.
- 1. VOLTAGES READ TO GROUND WITH V.T.V.M. NO SIGNAL. V5 (ONLY) VOLTAGES READ WITH \*SPEED & INTENSITY MAX, & VIBRATO ON.

**CAUTION:**  
100 VOLTS AVAILABLE - DISCONNECT POWER SUPPLY AND ALLOW AT LEAST 30 SECONDS FOR VOLTAGES TO BLEED-OFF, BEFORE SERVICING AMPLIFIER.

VERBOS REV  
SPEAKER REV  
REVERSE  
VIBRATO REV  
MUSE ON

*Fender/Rhodes/Rhodes*  
SAN DIEGO, CALIFORNIA - A DIVISION OF DEL. INC.  
PALLADIUM, CALIFORNIA, U.S.A.  
PART NO. SCHEMATIC  
135 WATT 15 RMS AMP  
W/REVERB AND VIBRATO  
PART NO. 013694

REVERB UNLESS OTHERWISE SPECIFIED