

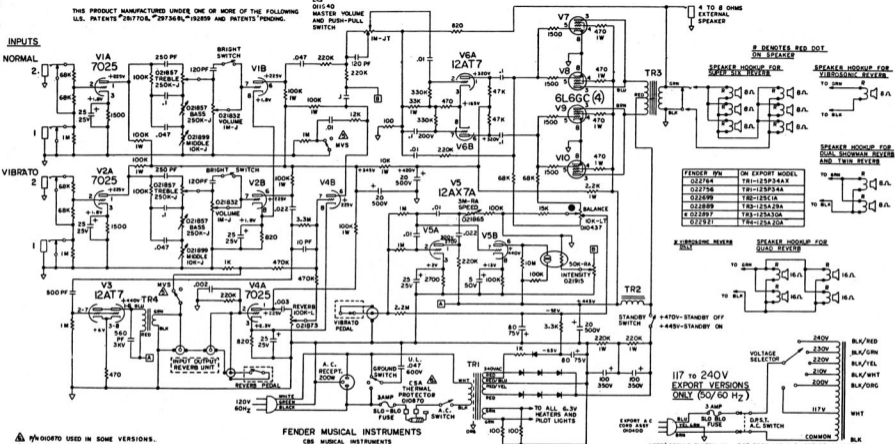
THIS PRODUCT MANUFACTURED UNDER ONE OR MORE OF THE FOLLOWING U.S. PATENTS 2877708, 2973681, 192899 AND PATENTS PENDING.

⚠️ 015-40
MASTER VOLUME AND PUSH-PULL SWITCH

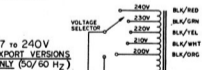
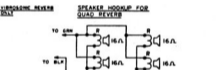
INPUTS

NORMAL

VIBRATO



| FENDER # | ON EXPORT MODEL |
|----------|-----------------|
| 022764 | TR1-125P34AX |
| 022756 | TR1-125P34A |
| 022699 | TR2-125C1A |
| 022899 | TR3-125A-20A |
| 022897 | TR3-125A-30A |
| 022921 | TR4-25A-20A |



FENDER MUSICAL INSTRUMENTS
CBS MUSICAL INSTRUMENTS
A DIVISION OF COLUMBIA BROADCASTING SYSTEMS INC.
FULLERTON, CALIFORNIA
U.S.A.

- ⚠️ 010470 USED IN SOME VERSIONS.
- MASTER VOLUME PUSH-PULL SWITCH DESIGNATED MVS SHOWN IN 'OUT' POSITION, PUSH IN FOR PURE SOUND. USED IN SOME VERSIONS.
- FENDER #N FOR CONTROLS INDICATED.
- ALL CAPACITORS AT LEAST 600V, W.V.D.C.
- ALL RESISTORS 1/2 WATT ± 10%.
- VOLTAGES READ TO GROUND WITH V.T.V.M. WITH VIBRATO GROUNDING (EXCEPT V5) - NO INPUT SIGNAL.

REPLACES OF PREVIOUS EDITIONS MUST BE APPROVED BY CBS (S) ENG. BEFORE STARTING PRODUCTION.

| MODEL NO. | USED ON | ISSUED OTHERWISE SPECIFIED | DATE | BY |
|------------------------|----------|----------------------------|----------|----|
| VIBROSONIC REV. EXP. | 11/17/71 | ROSALES | 11/17/71 | |
| VIBROSONIC REVERB 1 | | | | |
| SUPER SIX REVERB EXP. | | | | |
| QUAO REVERB (EXPORT) | | | | |
| DUAL SHOWMAN REV. EXP. | | | | |
| TWIN REVERB EXPORT | | | | |
| SUPER SIX REVERB | | | | |
| QUAO REVERB | | | | |
| DUAL SHOWMAN REVERB | | | | |
| TWIN REVERB | | | | |

CBS MUSICAL INSTRUMENTS
FULLERTON, CALIFORNIA

— SCHEMATIC —
100 WATTS RMS AMP
W/REVERB AND VIBRATO

REV. NO. 1
SCALE 1/8" = 1"

DATE: 11/17/71

BY: ROSALES

NO. 010182

OF 1