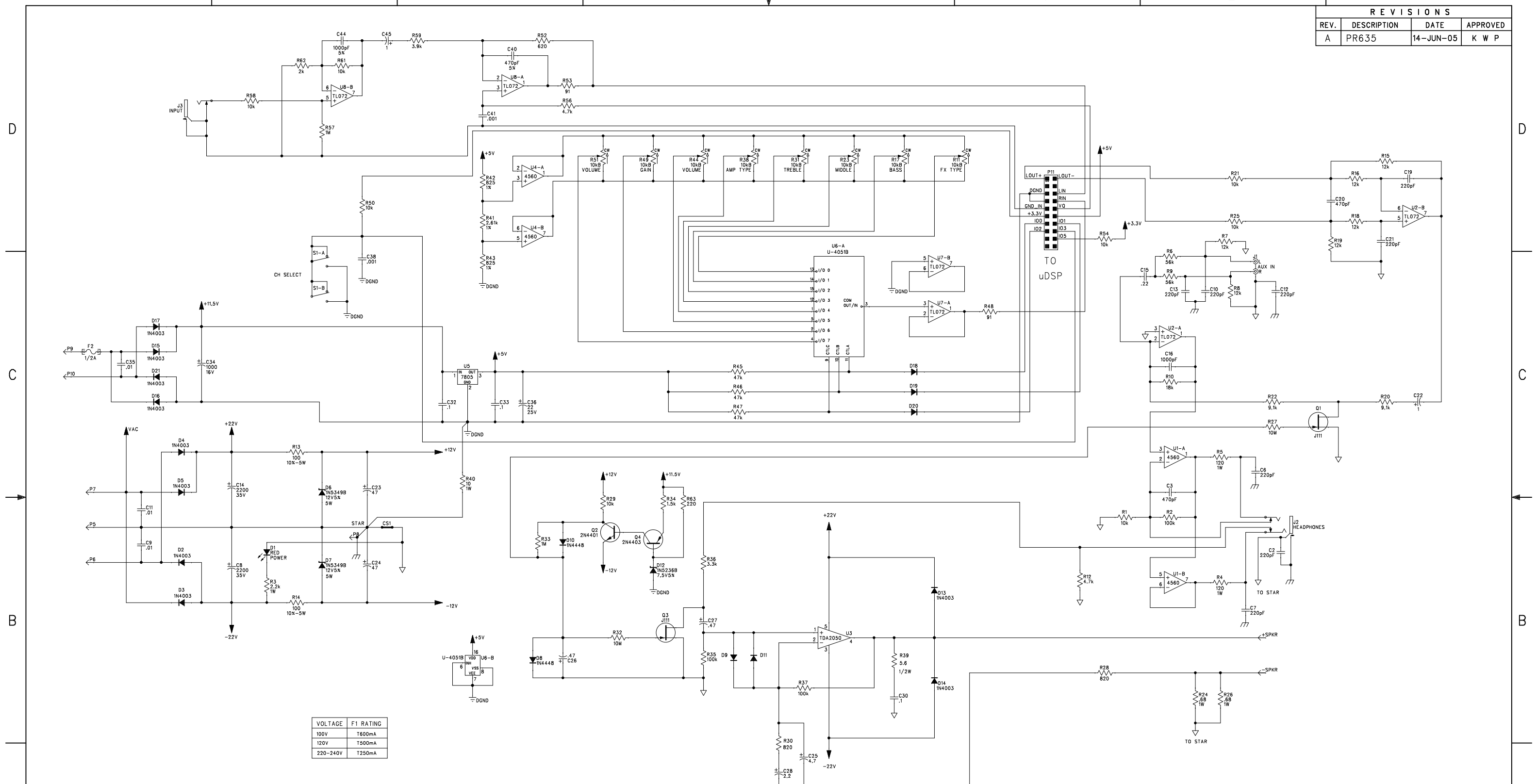


## 231-8000-000 FM15 DSP

0069890000	Speaker, FM-15DSP
0069892000	Knob, FM-15DSP
0069893000	Knob, Selector, FM15DSP
0069894000	Power Switch, FM15/25DSP
0069895000	IEC Connector, FM15/25DSP
0069896000	IEC Cable, FM15/25DSP
0069897000	RCA Jack, FM15/25DSP
0069898000	Control Pot, FM15/25DSP
0069899000	Logo Assy, FM15/25DSP
0069900000	Handle Assy, FM15DSP
0069901000	Handle Assy, FM25DSP
0069902000	Corner Assy, FM15/25DSP
0069903000	Foot Assy, FM15/25DSP
0069904000	Input Jack Assy, FM15/25DSP
0069905000	Headphone Jack Assy, FM15DSP
0069906000	Foot Jack Assy, FM15/25DSP
0069908000	Transformer, 120V, FM15DSP
0069909000	Transformer, 230V, FM15DSP

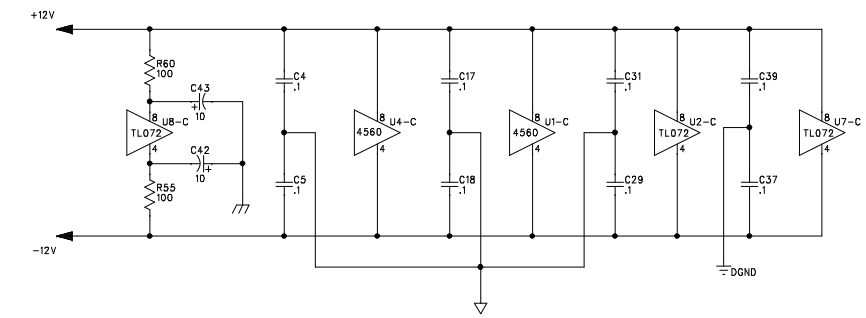
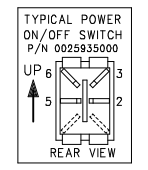
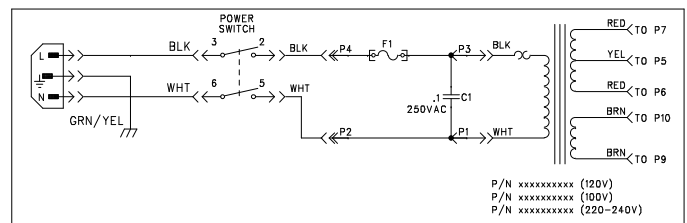


REVISIONS			
REV.	DESCRIPTION	DATE	APPROVED
A	PR635	14-JUN-05	K W P



VOLTAGE	F1 RATING
100V	T600mA
120V	T500mA
220-240V	T250mA

PRIMARY WIRING



- NOTES: (UNLESS OTHERWISE NOTED)
- THIS SCHEMATIC IS FOR PCB FABRICATION P/N 00?????000 AND PCB ASSEMBLY P/N 00?????000.
  - ALL DIODES ARE 1N4448.
  - ALL POLARIZED CAPACITORS IN  $\mu$ F, 20% 50V MINIMUM.
  - ALL UNPOLARIZED CAPACITORS IN  $\mu$ F, 10% OR BETTER; 50V MINIMUM. (POWER SUPPLY BYPASS CAPACITORS ARE 20%).
  - ALL RESISTORS IN OHMS, 5% 1/4W.

THIS DOCUMENT CONTAINS INFORMATION OF A PROPRIETARY NATURE TO FENDER MUSICAL INSTRUMENTS AND IS SUBMITTED TO YOU IN CONFIDENCE AND SHALL NOT BE DISCLOSED OR TRANSMITTED TO OTHERS WITHOUT AUTHORIZATION FROM FENDER MUSICAL INSTRUMENTS.		<b>MUSICAL INSTRUMENTS</b> Corona, CA U.S.A.	
CHECKED BY: _____ DATE: _____		TITLE: SERVICE DIAGRAM, COMBINED (schematic) FM15 DSP Main PCB assy	
APPROVED BY: _____ DATE: _____		SIZE: <b>D</b>	DRAWING NUMBER: <b>0070199000</b>
DRAWN: K. PORTER ENGR: K. PORTER		RELEASE DATE: 14-JUN-05	SHEET: 1 OF 2
DATABASE FILE: ZxyzSn.SCH			