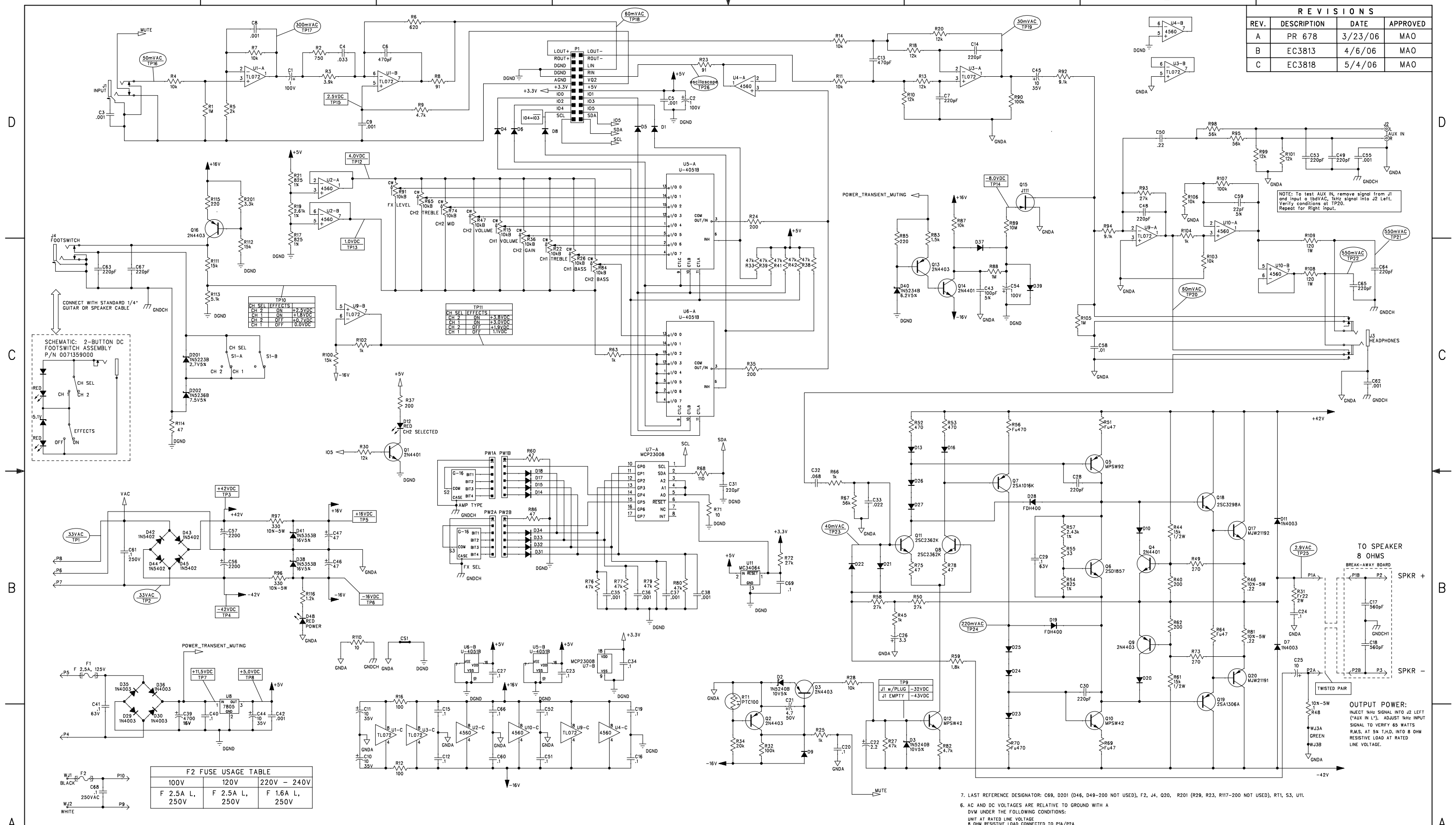
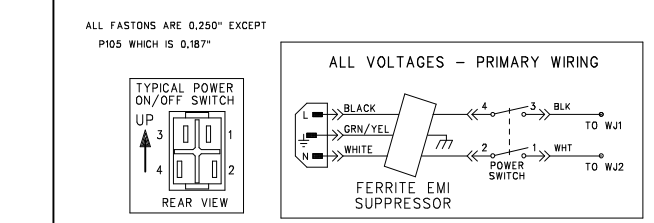


| REVISIONS | | | |
|-----------|-------------|---------|----------|
| REV. | DESCRIPTION | DATE | APPROVED |
| A | PR 678 | 3/23/06 | MAO |
| B | EC3813 | 4/6/06 | MAO |
| C | EC3818 | 5/4/06 | MAO |



| FUSE VALUE | 100V | 120V | 220V - 240V |
|----------------|----------------|----------------|-------------|
| F 2.5A L, 250V | F 2.5A L, 250V | F 1.6A L, 250V | |



THIS DOCUMENT CONTAINS INFORMATION OF A PROPRIETARY NATURE TO FENDER MUSICAL INSTRUMENTS AND IS SUBMITTED TO YOU IN CONFIDENCE AND SHALL NOT BE DISCLOSED OR TRANSMITTED TO OTHERS WITHOUT AUTHORIZATION FROM FENDER MUSICAL INSTRUMENTS.

Fender MUSICAL INSTRUMENTS
Corona, CA USA

TITLE: SERVICE DIAGRAM, COMBINED (schematic)
FM65 DSP

CHECKED BY: _____ DATE: _____
APPROVED BY: _____ DATE: _____
DRAWN: M. ONEY ENGR: M. ONEY
DATABASE FILE: Z678S.SCH

SIZE: **D** DRAWING NUMBER: 0069453000 REV. C
RELEASE DATE: 3/23/06 SHEET: 1 OF 2

- LAST REFERENCE DESIGNATOR: C69, D201 (D46, D49-200 NOT USED), F2, J4, Q20, R201 (R29, R23, R17-200 NOT USED), R11, S3, U11.
 - AC AND DC VOLTAGES ARE RELATIVE TO GROUND WITH A DVM UNDER THE FOLLOWING CONDITIONS:
UNIT AT RATED LINE VOLTAGE
8 OHM RESISTIVE LOAD CONNECTED TO P14/P24
FOOTSWITCH CONNECTED
CH SEL SWITCH OUT (RED LED OFF)
FX LEVEL CONTROL AT FULL CCW, VOLUME CONTROL AT "3"
ALL OTHER CONTROLS AT "5 1/2"
JACK INSERTED AT J1
NO INPUT SIGNAL (TP1-TP15, TP26)
ADDITIONAL CONDITIONS (TP16-TP25):
50mV 1kHz SINEWAVE INPUT TO J1
 - THIS SCHEMATIC IS FOR PCB FABRICATION P/N 0069451000 AND PCB ASSEMBLY P/N 0069452000.
 - ALL DIODES ARE 1N4448.
 - ALL POLARIZED CAPACITORS IN uF, 20% 50V MINIMUM.
 - ALL UNPOLARIZED CAPACITORS IN uF, 10% OR BETTER; 50V MINIMUM. (POWER SUPPLY BYPASS CAPACITORS ARE 20%).
 - ALL RESISTORS IN OHMS, 5% 1/4W.
- NOTES: (UNLESS OTHERWISE NOTED)