

CHASSIS SCREW

9904101530

CHASSIS-FINISH WASHER

0026004/000

CHASSIS NUT

0027861/000

TH-1 thermistor

0026411/000

FENDER 185 SERIES AMPLIFIERS

PRO 185 -- PART NUMBER 22-5600

STAGE 185 -- PART NUMBER 22-5200

LONDON 185 TOP -- PART NUMBER 22-5500

PARTS LIST PAGE 1 OF 6

This list itemizes parts common to all three 185 series models. Parts not common to all include the appropriate model name. A coded naming convention is used in the description of certain parts. The codes and what they mean follow:

RESISTOR CODES

RESCF carbon film
RESCC carbon composition

RESISTOR CODES

RESWW wirewound
RESFP flameproof

CAPACITOR CODES

CAPAT axial tantulum
CAPRT radial tantulum
CAPCD ceramic disc
CAPRM radial monolithic

CAPACITOR CODES

CAPAF axial film
CAPRF radial film
CAPAE axial electrolytic
CAPRE radial electrolytic

| QTY | PART # | DESCRIPTION | REFERENCE DESIGNATION |
|-----|-----------------------------|-------------------------------|---------------------------------|
| 3 | 025934 031570 | JACK PHONE STEREO INPUTS | J1-3 |
| 8 | 016795 | OP-AMP DUAL JFET TLO72CP | U1-5,7-9 |
| 6 | 027261 | CAPRF 100V.0047 10% | C1,2,4,27,28,62 |
| 4 | 028018 | RESCF 1/4W 510K 5% | R1,4,53,54 |
| 6 | 024989 | RESCF 1/4W 33K 5% | R5,58,73,49,51,52 |
| 2 | 028034 | RESCF 1/4W 5.1K 5% | R2,55 |
| 2 | 024979 | RESCF 1/4W 6.8K 5% | R6,57 |
| 4 | 024987 | RESCF 1/4W 22K 5% | R8,13,60,65 |
| 7 | 027286 | CAPRF 63V .47uF 10% | C5,31,59,70,40,16,83 |
| 9 | 027281 | CAPRF 63V .22uF 10% | C6,32,58,52,44,37,38 +C19,82 |
| 4 | 027940 | CTRL,50K (CH1,2 TREB,BASS) | R9,10,61,62 |
| 2 | 027937 | CTRL,2K, (CH1,2 MID) | R11,63 |
| 2 | 025058 | RESCF 1/4W 180K 5% | R1,64 |
| 5 | 028091 | SW 2P2T ALT/ACTION | S1-3,5,6 |
| 4 | 025084 | RESCF 1/4W 10MEG 5% | R7,44,59,178 |
| 2 | 025777 | CAPCD 1KV 470pF 10% <i>RA</i> | C8,10 |
| 2 | 027949 | CTRL, 250K (GAIN,BOOST) | R14,18 |
| 5 | 024977 | RESCF 1/4W 4.7K 5% | R21,19,27,96,146 |
| 47 | 006260 | DIODE SIGNAL 75PRV 1N4448 | CR1-23,25-47,56 |
| 7 | 014689 | N-CHAN JFET J-111 | Q1-6,21 |
| 2 | 024970 | RESCF 1/4W 1.8K 5% | R24,109 |
| 3 | 024959 | RESCF 1/4W 330 5% | R26,144,147 |
| 4 | 025942 | RESCF 1/4W 7.5K 5% | R23,68,124,87 |
| 4 | 024965 | RESCF 1/4W 1K 5% | R25,37,38,164 |

FENDER 185 SERIES AMPLIFIERS

PARTS LIST PAGE 2 OF 6

| QTY | PART # | DESCRIPTION | REFERENCE DESIGNATION |
|-----|-------------------|-----------------------------------|--|
| 4 | 027297 | CAPRE 50V 2.2uF 20% | C13,20,33,11 |
| 2 | 027939 | CTRL 5K (CONTOUR,G.OFFSET) | R43,80 |
| 2 | 027257 | CAPRF 100V.0022 10% | C22,53 |
| 2 | 028955 | RESCF 1/4W 130K 5% | R39,41 |
| 2 | 024991 | RESCF 1/4W 39K 5% | R42,35 |
| 2 | 028956 | RESCF 1/4W 43K 5% | R40,45 |
| 4 | 025951 | CAPCD 1KV 750pF 10% | C21,7,15,29 |
| 6 | 027272 | CAPRF 63V .047 10% | C23,9,45-48 |
| 2 | 027265 | CAPRF 100V .015 10% | C24,57 |
| 1 | 027942 | CTRL,50K 50%DET (PRESENCE) | R46 |
| 12 | 024981 | RESCF 1/4W 10K 5% | R3,47,108,114,116,119 +R103,118,32,34,36,56 |
| 1 | 024980 | RESCF 1/4W 8.2K 5% | R48 |
| 7 | 028465 | CAPRE 25V 22uF 20% | C36,51,54,68,64,39,43 |
| 4 | 024971 | RESCF 1/4W 2.2K 5% | R70,148,149,113 |
| 2 | 027943 | CTRL,50K (CH1,2 VOLUME) | R69,50 |
| 2 | 025929 | JACK PHONE MONO PREAM,FTSW | J4,5 |
| 13 | 025069 | RESCF 1/4W 1MEG 5% | R74,75,110-112,115 +R117,120,127,131-133 +R177 |
| 1 | 026547 | QUAD COMPARATOR ^{LM} 339 | U6 |
| 11 | 024997 | RESCF 1/4W 100K 5% | R20,33,66,92,98 +R121-123,126,128,153 |
| 3 | 027269 | CAPRF 63V .033 10% | C60,61,25 |
| 8 | 024947 | RESCF 1/4W 470K 5% | R97,140,142,157,165 +R166,94,95 |
| 6 | 027683 | BARREL TERMINAL 552699-2 | BT1-6 |
| 2 | 025979 | CAPCD 1KV 50pF 10% | C56,12 |
| 1 | 025065 | RESCF 1/4W 470K 5% | R104 |
| 1 | 024973 | RESCF 1/4W 3.3K 5% | R105 |
| 1 | 027941 | CTRL,50K (REVERB) | R106 |
| 1 | 028990 | RESCF 1/4W 51K 5% | R99 |
| 2 | 025937 | RESCF 1/2W 22 5% | R72,71 |
| 1 | 026473 | SW 2P3T SLIDE | S4 |
| 2 | 024963 | RESCF 1/4W 680 5% | R139,85 |
| 1 | 014867 | XISTOR NPN MPS-U10 | Q12 |
| 2 | 024952 | RESCF 1/4W 100 5% | R155,145 |
| 1 | 028164 | XISTOR NPN MJE15030 | Q11 |
| 1 | 014866 | XISTOR PNP MPS-U60 | Q10 |
| 1 | 024942 | RESCF 1/4W 22 5% | R156 |
| 1 | 024967 | RESCF 1/4W 1.2K 5% | R151 |
| 1 | 025674 | TRIMPOT 1.5K HORIZ (BIAS) | R152 |
| 1 | 016739 | XISTOR NPN 2N4401 | Q13 |
| 2 | 024961 | RESCF 1/4W 470 5% | R160,163 |
| 2 | 025787 | CAPRE 16V 100mF 20% | C73,74 |
| 4 | 028168 | XISTOR NPN PWR MJ15003 | Q17-20 |

FENDER 185 SERIES AMPLIFIERS

PARTS LIST PAGE 3 OF 6

| QTY | PART # | DESCRIPTION | REFERENCE DESIGNATION |
|-----|--------|----------------------------|-----------------------|
| 4 | 027478 | RESWW 5W .22 10% | R167,169,170,173 |
| 1 | 027479 | RESWW 10W .1 10% | R168 |
| 1 | 027387 | INDUCTOR 2.5uH AIR CORE | L1 |
| 1 | 027627 | RESCF 1W 10 5% | R174 |
| 6 | 027278 | CAPRF 100V .1mF 10% | C41,42,69,75-77 |
| 2 | 027628 | RESCF 2W 47 5% | R171,172 |
| 3 | 024988 | RESCF 1/4W 27K 5% | R136,161,162 |
| 2 | 020534 | DIODE, 200PRV, 3AMP 1N5402 | CR48,49 |
| 1 | 025982 | CAPCD 1KV 68pF 10% | C66 |
| 1 | 029022 | RESWW 20W .22 10% | R141 |
| 4 | 025802 | FASTON TAB, .250 | CP1,2,13,14, |
| 3 | 024969 | RESCF 1/4W 1.5K 5% | R135,158,159 |
| 1 | 028164 | XISTOR NPN MJE15030 | Q15 |
| 1 | 028166 | XISTOR PNP MJE15031 | Q16 |
| 3 | 025751 | XISTOR NPN 2SC2362 | Q7-9 |
| 2 | 029341 | RESCF 1/4W 360 5% | R143,154 |
| 6 | 028474 | CAPRE 25V 100mF 20% | C49,50,65,71,72,84 |
| 2 | 069724 | CAPCD 1KV 100pF 10% | C35,55 |
| 2 | 024999 | RESCF 1/4W 150K 5% | R100,102 |
| 1 | 029450 | RESCF 1/4W 240K 5% | R101 |
| 1 | 029453 | RESCF 1/4W 1.6K 5% | R89 |
| 1 | 029451 | RESCF 1/4W 430 5% | R90 |
| 2 | 024975 | RESCF 1/4W 3.9K 5% | R88,150 |
| 2 | 024986 | RESCF 1/4W 18K 5% | R83,31 |
| 4 | 024993 | RESCF 1/4W 47K 5% | R76-79 |
| 2 | 029455 | RESCF 1/4W 2.4K 5% | R82,84 |
| 1 | 028842 | RESCF 1/4W 1.1K 5% | R81 |
| 2 | 029472 | RESCF 1/4W 4.3K 5% | R137,138 |
| 3 | 027255 | CAPRF 100V.001 10% | C17,18,63 |
| 1 | 025060 | RESCF 1/4W 270K 5% | R67 |
| 4 | 027256 | CAPRF 100V.0015 10% | C3,26,30,34 |
| 3 | 029539 | RESCF 1/4W 13K 5% | R15-17 |
| 1 | 028862 | RESCF 1/4W 1.3K 5% | R28 |
| 1 | 017518 | CAPCD 1KV 560pF 10% | C14 |
| 2 | 025059 | RESCF 1/4W 220K 5% | R29,30 |
| 2 | 024998 | RESCF 1/4W 120K 5% | R22,91 |
| 1 | 028153 | RESCF 1/4W 75K 5% | R93 |
| 1 | 024985 | RESCF 1/4W 15K 5% | R125 |
| 3 | 016742 | XISTOR PNP 2N4403 | Q14,22,23 |
| 1 | 027347 | RESCF 1W 2.2K 5% | R129 |
| 1 | 029717 | RESCF 1W 2.7K 5% | R130 |
| 1 | 027348 | RESCF 1W 3.3K 5% | R134 |
| 1 | 028460 | CAPRE 50V 4.7uF 20% | C67 |
| 1 | 029870 | RESCF 2W 1.5K 5% | R107 |
| 1 | 028865 | RESCF 1/4W 30K 5% | R86 |
| 1 | 029898 | ZENER 7.5V, .5W 5% 1N5236B | CR24 |
| 1 | 028039 | LED RED, 5x5mm | LD1 |

FENDER 185 SERIES AMPLIFIERS

PARTS LIST PAGE 4 OF 6

| QTY | PART # | DESCRIPTION | REFERENCE DESIGNATION |
|------|--------|---------------------------|-----------------------|
| 1 | 028097 | LED YELLOW, 5x5mm | LD3 |
| 1 | 028098 | LED GREEN, 5x5mm | LD2 |
| 1 | 021709 | BUSHING STRAIN RELIEF 3PL | BSH1 |
| 13 | 025952 | KNOB POINTER RED | K1-13 |
| 1 | 026038 | BUSHING STRAIN RELIEF SR6 | BSH2 |
| 1 | 026116 | BUSHING STRAIN RELIEF SR5 | BSH3 |
| 1 | 026314 | SCREW SM 6x3/16 PH | SC1 |
| 1 | 026479 | SWITCH ROCKER DPST | SW1 |
| 1 | 026522 | SCREW SMB 6x3/4 PHPS Z1 | SC2 |
| 1 | 026541 | CABLE ASS'Y PWR 100/120V | CB1 |
| 1 | 026790 | KNOB CONTROL THUMB BLACK | K14 |
| 1 | 027515 | XFMR PWR 120V | T1 |
| 1 | 027684 | CHASSIS PRO 185 | CH1 |
| 1 | 027826 | CHASSIS LON/STG 185 | CH1 |
| 1 | 027685 | PANEL FRONT PRO 185 | FP1 |
| 1 | 027827 | PANEL FRONT LON/STG 185 | FP1 |
| 5 | 027799 | SCREW 10-32x1 HWH SLI Z1 | SC3-7 |
| 6 | 027861 | NUT RTNR 8-32 STEEL BLK | NT1-6 |
| 1 | 028564 | END BELL XFMR 185 SERIES | XB1 |
| 1 | 028577 | CABLE ASS'Y REVERB 30" | RC1 |
| 4 | 028591 | NUT ACORN 8-32 | NT7-10 |
| 1 | 029029 | PCB ASS'Y (STUFFED) | PA1 |
| 1 | 029028 | PCB FAB. (BLANK) | PD1 |
| 1 | 029184 | HEATSINK BAR | HK1 |
| 1 | 029797 | WIRE SET CHASSIS PRO 185 | WS1 |
| 1 | 029027 | WIRE SET CHASSIS STG 185 | WS1 |
| 1 | 029814 | WIRE SET CHASSIS LON 185 | WS1 |
| 4 | 030007 | WSHR LOCK INTERNAL #8 | LW1-4 |
| 5 | 031153 | WSHR FLAT FNSH 3/8 NI | FW1-5 |
| 1 | 027767 | CABINET ASS'Y PRO 185 | CT1 |
| 1 | 027830 | CABINET ASS'Y STG 185 | CT1 |
| 1 | 028814 | CABINET ASS'Y LON 185 | CT1 |
| 1 | 019170 | HANDLE W/INSERT | HL1 |
| 4 | 019275 | GLIDE CUSHION INSERT | GL1-4 |
| 4 | 019276 | GLIDE CABINET | CG1-4 |
| 2 | 019279 | CAP HANDLE | HC1 |
| 12 | 021972 | NUT-T 10-32x3/4x9/325 | NT11-22 |
| 4 | 022244 | SCRW 10-32x1-1/8 OVH | SC8-11 |
| 4 | 023505 | MTG. PLATE-SWIVEL PRO 185 | VC1-4 |
| 4 | 026566 | CORNER AMP 2 HOLE | CN1-4 |
| 4 | 026568 | CORNER AMP 3 HOLE | CO1-4 |
| 10 | 026571 | SCRW CORNER MTG | SC12-21 |
| 4 | 026625 | SCRW WOOD 8x1 FH | SC22-25 |
| 16 | 027199 | SCRW SMAB 10x7/8 PHPS BLX | SC26-41 |
| 2*** | 026570 | VINYL BLACK *** SQ. YDS. | VB1 |
| 1 | 028543 | GRILLE ASS'Y PRO 185 | GL1 |
| 1 | 028542 | GRILLE ASS'Y STG 185 | GL1 |

FENDER 185 SERIES AMPLIFIERS

PARTS LIST PAGE 5 OF 6

| QTY | PART # | DESCRIPTION | REFERENCE DESIGNATION |
|-----|----------|---------------------------|-----------------------|
| 1 | 029542 | GRILLE ASS'Y LON 185 | GL1 |
| 1 | 011307 | JUMPER 10" WHT PRO 185 | JP1 |
| 1 | 011308 | JUMPER 10" BLK PRO 185 | JP2 |
| 1 | 022491 | CLAMP CABLE NYL 5/16 | CC1 |
| 4 | 023513 | CASTER SWIVEL PRO 185 | SV1-4 |
| 4 | 026201 | GROMMET RUBBER | RG1-4 |
| 2 | 026488 | SPEAKER 12" 8 OHM PRO 185 | SP1-2 |
| 1 | 026488 | SPEAKER 12" 8 OHM STG 185 | SP1 |
| 1 | 011028 | JACK #13E STG/LON 185 | J6 |
| 1 | 021956 | JACK #11 LON 185 | J7 |
| 8 | 026577 | SCREW M 10-32x1 PHP BLK | SC42-49 |
| 1 | 028055 | REVERB PAN 3 SPRING | RP1 |
| 1 | 028508 | LABEL REAR 120V PRO 185 | RL1 |
| 1 | 027840 | LABEL REAR 120V STG 185 | RL1 |
| 1 | 029647 | LABEL REAR 120V LON 185 | RL1 |
| 1 | 028540 | NAMEPLATE PRO 185 | NP1 |
| 1 | 028539 | NAMEPLATE STG 185 | NP1 |
| 1 | 029667 | NAMEPLATE LON 185 | NP1 |
| 1 | 029000 | CHASSIS ASS'Y PRO 185 | HS1 |
| 1 | 029026 | CHASSIS ASS'Y STG 185 | HS1 |
| 1 | 029813 | CHASSIS ASS'Y LON 185 | HS1 |
| 8 | 029527 | WSHR FNSH #8-5/8 FLNGD | FW6-13 |
| 4 | 029821 | EYELET .215 OD x.315 L | YL1-4 |
| 4 | 029828 | SCRW PB 8x3/4 PHP Z1 | SC50-53 |
| 1 | 030858 | SCRW SM #8x5/8 PH NI | SC54 |
| 2 | 410098** | SCRW MA 4x3/8 PHPS BLX | SC55,56 **SUNN P/N |
| 6 | 410155** | SCRW M 8-32x1-1/4 OHPS | SC57-62 **SUNN P/N |
| 1 | 028146 | FOOTSWITCH ASS'Y 3 BUTTON | FT1 |
| 1 | 028109 | HSG END CUP LEFT FTSW | HG1 |
| 1 | 028141 | HSG FTSW 3 BUTTON | HG3 |
| 1 | 028143 | HSG END CUP RIGHT FTSW | HG2 |
| 1 | 028145 | PLATE TOP 3 BUTTON FT SW | TP1 |
| 4 | 028501 | WSHR FLAT NKL .477x.625 | FW14-17 |
| 8 | 028889 | SCRW SMB 6x1/4 PHP | SC63-70 |
| 1 | 028149 | PCB ASS'Y FT SW (STUFFED) | PC1 <i>foot pedal</i> |
| 1 | 028148 | PCB FAB. FT SW (BLANK) | PF1 |
| 3 | 028714 | SW. PUSH SPDT | SW2-4 |
| 1 | 028895 | CABLE ASS'Y FTSW 12' | CB2 |
| 2 | 006260 | DIODE 1N4448 SIGNAL | CR01,02 |
| 1 | 027327 | DIODE ZENER 1N5234B 6.2V | CR03 |
| 3 | 028039 | LED 5x5mm RED SLB-55VR3 | LD01-03 |
| 1 | 025929 | JACK PHONE S-G4111 | J01 |
| 3 | 028444 | SPACER LED .78 | LS1 |
| 5 | 028101 | RED PUSH BUTTON | PS1-5 |
| 1 | 012697 | FUSE SB 6.25 A 250V | F1 |
| 2 | 025996 | FUSE CLIP PCB .250 & 5mm | XF1 |
| 1 | 026411 | THERMISTOR 2.5 OHM 8 AMP | TH1 |

270-27W
0029047/000

FENDER 185 SERIES AMPLIFIERS

PARTS LIST PAGE 6 OF 6

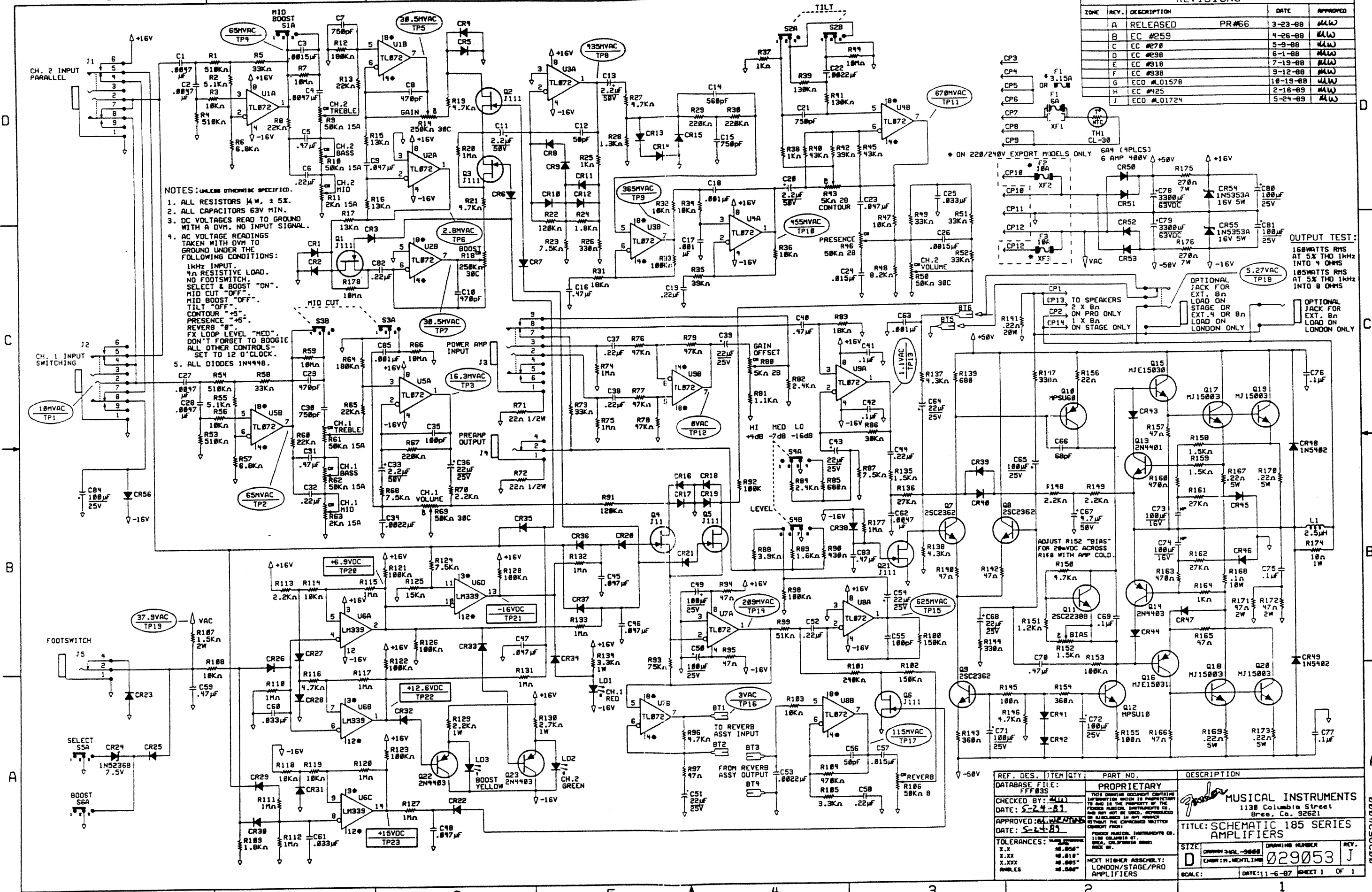
| QTY | PART # | DESCRIPTION | REFERENCE DESIGNATION |
|-----|--------|--------------------------|-----------------------|
| 4 | 029045 | DIODE 6A4 6A 400V | CR50-53 |
| 1 | 029183 | HEATSINK PLATE | KP1 |
| 2 | 029047 | RES CER WW 270 OHM 7 W | R175,176 |
| 1 | 029697 | SHIELD 6x1.25 | SX1 |
| 1 | 029719 | CABLE FLAT 5 CKT 10" | CB3 |
| 1 | 029779 | BREAKER THERMAL NC 0248F | TS1 |
| 2 | 025796 | HEATSINK TO-220 | TK1 |

FOLLOWING ARE ALTERNATIVE PARTS USED ON
VARIOUS FENDER 185 SERIES EXPORT MODELS:

| QTY | PART # | DESCRIPTION | REFERENCE DESIGNATION |
|-----|--------|--------------------------|-----------------------|
| 1 | 026541 | CABLE ASS'Y PWR 100/120V | CB1 |
| 1 | 026767 | CABLE ASS'Y PWR 220/240V | CB4 |
| 1 | 029344 | XFMR PWR 100/220/240V | T1 |
| 2 | 013688 | FUSE 10A 5mm | F3,4 |
| 4 | 020775 | FUSE CLIP 5mm | XF2,3 |
| 1 | 026559 | FUSE SB 3A 250V | F2 |
| 2 | 025996 | FUSE CLIP PCB .250 & 5mm | XF1 |
| 1 | 012697 | FUSE SB 6.25A 250V | F1 |

| ZONE | REV. | DESCRIPTION | PR# | DATE | APPROVED |
|------|-------------|-------------|-------|----------|----------|
| A | RELEASED | | PR#66 | 3-23-88 | MLW |
| B | EC #259 | | | 4-26-88 | MLW |
| C | EC #278 | | | 5-9-88 | MLW |
| D | EC #298 | | | 6-1-88 | MLW |
| E | EC #318 | | | 7-19-88 | MLW |
| F | EC #338 | | | 9-12-88 | MLW |
| G | ECO #L01578 | | | 10-19-88 | MLW |
| H | EC #425 | | | 2-16-89 | MLW |
| J | ECO #L01724 | | | 5-24-89 | MLW |

- NOTES: UNLESS OTHERWISE SPECIFIED:
1. ALL RESISTORS 1/4 W. ± 5%.
 2. ALL CAPACITORS 63V MIN.
 3. DC VOLTAGES READ TO GROUND WITH A DVM. NO INPUT SIGNAL.
 4. AC VOLTAGE READINGS TAKEN WITH DVM TO GROUND UNDER THE FOLLOWING CONDITIONS:
1kHz INPUT.
4Ω RESISTIVE LOAD.
NO FOOTSWITCH.
SELECT & BOOST "ON".
MID CUT "OFF".
TILT "OFF".
CONTOUR "5".
REVERB "0".
FX LOOP LEVEL "MED".
DON'T FORGET TO BOOGIE!
ALL OTHER CONTROLS SET TO 12 O'CLOCK.
 5. ALL DIODES 1N4148.



| REF. DES. | ITEM QTY | PART NO. | DESCRIPTION |
|-----------|----------|----------|-------------|
| U1A | 1 | TL072 | OP AMP |
| U1B | 1 | TL072 | OP AMP |
| U2A | 1 | TL072 | OP AMP |
| U2B | 1 | TL072 | OP AMP |
| U3A | 1 | TL072 | OP AMP |
| U3B | 1 | TL072 | OP AMP |
| U4A | 1 | TL072 | OP AMP |
| U4B | 1 | TL072 | OP AMP |
| U5A | 1 | TL072 | OP AMP |
| U5B | 1 | TL072 | OP AMP |
| U6A | 1 | LM339 | COMPARATOR |
| U6B | 1 | LM339 | COMPARATOR |
| U6C | 1 | LM339 | COMPARATOR |
| Q1 | 1 | 2N4401 | TRANS |
| Q2 | 1 | 2N4401 | TRANS |
| Q3 | 1 | 2N4401 | TRANS |
| Q4 | 1 | 2N4401 | TRANS |
| Q5 | 1 | 2N4401 | TRANS |
| Q6 | 1 | 2N4401 | TRANS |
| Q7 | 1 | 2N4401 | TRANS |
| Q8 | 1 | 2N4401 | TRANS |
| Q9 | 1 | 2N4401 | TRANS |
| Q10 | 1 | 2N4401 | TRANS |
| Q11 | 1 | 2N4401 | TRANS |
| Q12 | 1 | 2N4401 | TRANS |
| Q13 | 1 | 2N4401 | TRANS |
| Q14 | 1 | 2N4401 | TRANS |
| Q15 | 1 | 2N4401 | TRANS |
| Q16 | 1 | 2N4401 | TRANS |
| Q17 | 1 | 2N4401 | TRANS |
| Q18 | 1 | 2N4401 | TRANS |
| Q19 | 1 | 2N4401 | TRANS |
| Q20 | 1 | 2N4401 | TRANS |
| Q21 | 1 | 2N4401 | TRANS |
| Q22 | 1 | 2N4401 | TRANS |
| Q23 | 1 | 2N4401 | TRANS |
| Q24 | 1 | 2N4401 | TRANS |
| Q25 | 1 | 2N4401 | TRANS |
| Q26 | 1 | 2N4401 | TRANS |
| Q27 | 1 | 2N4401 | TRANS |
| Q28 | 1 | 2N4401 | TRANS |
| Q29 | 1 | 2N4401 | TRANS |
| Q30 | 1 | 2N4401 | TRANS |
| Q31 | 1 | 2N4401 | TRANS |
| Q32 | 1 | 2N4401 | TRANS |
| Q33 | 1 | 2N4401 | TRANS |
| Q34 | 1 | 2N4401 | TRANS |
| Q35 | 1 | 2N4401 | TRANS |
| Q36 | 1 | 2N4401 | TRANS |
| Q37 | 1 | 2N4401 | TRANS |
| Q38 | 1 | 2N4401 | TRANS |
| Q39 | 1 | 2N4401 | TRANS |
| Q40 | 1 | 2N4401 | TRANS |
| Q41 | 1 | 2N4401 | TRANS |
| Q42 | 1 | 2N4401 | TRANS |
| Q43 | 1 | 2N4401 | TRANS |
| Q44 | 1 | 2N4401 | TRANS |
| Q45 | 1 | 2N4401 | TRANS |
| Q46 | 1 | 2N4401 | TRANS |
| Q47 | 1 | 2N4401 | TRANS |
| Q48 | 1 | 2N4401 | TRANS |
| Q49 | 1 | 2N4401 | TRANS |
| Q50 | 1 | 2N4401 | TRANS |
| Q51 | 1 | 2N4401 | TRANS |
| Q52 | 1 | 2N4401 | TRANS |
| Q53 | 1 | 2N4401 | TRANS |
| Q54 | 1 | 2N4401 | TRANS |
| Q55 | 1 | 2N4401 | TRANS |
| Q56 | 1 | 2N4401 | TRANS |
| Q57 | 1 | 2N4401 | TRANS |
| Q58 | 1 | 2N4401 | TRANS |
| Q59 | 1 | 2N4401 | TRANS |
| Q60 | 1 | 2N4401 | TRANS |
| Q61 | 1 | 2N4401 | TRANS |
| Q62 | 1 | 2N4401 | TRANS |
| Q63 | 1 | 2N4401 | TRANS |
| Q64 | 1 | 2N4401 | TRANS |
| Q65 | 1 | 2N4401 | TRANS |
| Q66 | 1 | 2N4401 | TRANS |
| Q67 | 1 | 2N4401 | TRANS |
| Q68 | 1 | 2N4401 | TRANS |
| Q69 | 1 | 2N4401 | TRANS |
| Q70 | 1 | 2N4401 | TRANS |
| Q71 | 1 | 2N4401 | TRANS |
| Q72 | 1 | 2N4401 | TRANS |
| Q73 | 1 | 2N4401 | TRANS |
| Q74 | 1 | 2N4401 | TRANS |
| Q75 | 1 | 2N4401 | TRANS |
| Q76 | 1 | 2N4401 | TRANS |
| Q77 | 1 | 2N4401 | TRANS |
| Q78 | 1 | 2N4401 | TRANS |
| Q79 | 1 | 2N4401 | TRANS |
| Q80 | 1 | 2N4401 | TRANS |
| Q81 | 1 | 2N4401 | TRANS |
| Q82 | 1 | 2N4401 | TRANS |
| Q83 | 1 | 2N4401 | TRANS |
| Q84 | 1 | 2N4401 | TRANS |
| Q85 | 1 | 2N4401 | TRANS |
| Q86 | 1 | 2N4401 | TRANS |
| Q87 | 1 | 2N4401 | TRANS |
| Q88 | 1 | 2N4401 | TRANS |
| Q89 | 1 | 2N4401 | TRANS |
| Q90 | 1 | 2N4401 | TRANS |
| Q91 | 1 | 2N4401 | TRANS |
| Q92 | 1 | 2N4401 | TRANS |
| Q93 | 1 | 2N4401 | TRANS |
| Q94 | 1 | 2N4401 | TRANS |
| Q95 | 1 | 2N4401 | TRANS |
| Q96 | 1 | 2N4401 | TRANS |
| Q97 | 1 | 2N4401 | TRANS |
| Q98 | 1 | 2N4401 | TRANS |
| Q99 | 1 | 2N4401 | TRANS |
| Q100 | 1 | 2N4401 | TRANS |

MUSICAL INSTRUMENTS
1138 Columbia Street
Brea, Ca. 92621

TITLE: SCHEMATIC 185 SERIES AMPLIFIERS

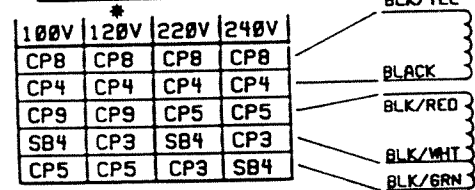
SIZE: DRAWING 340L-3888 DRAWING NUMBER: 029053 J REV. 1

SCALE: DATE: 11-6-87 SHEET 1 OF 1

0028524000

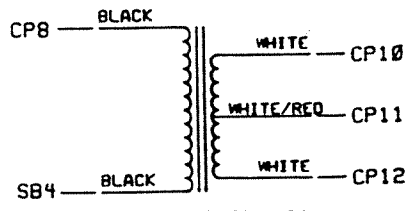
| ZONE | REV. | DESCRIPTION | DATE | APPROVED |
|------|------|-------------|-------|--------------------|
| | | REVISIONS | | |
| | A | RELEASED | PR#66 | 3-23-88 <i>uw</i> |
| | B | EC #270 | | 5-9-88 <i>uw</i> |
| | C | EC #298 | | 6-1-88 <i>uw</i> |
| | D | EC #318 | | 7-19-88 <i>uw</i> |
| | E | ECO #A01578 | | 10-19-88 <i>uw</i> |

EXPORT MODELS

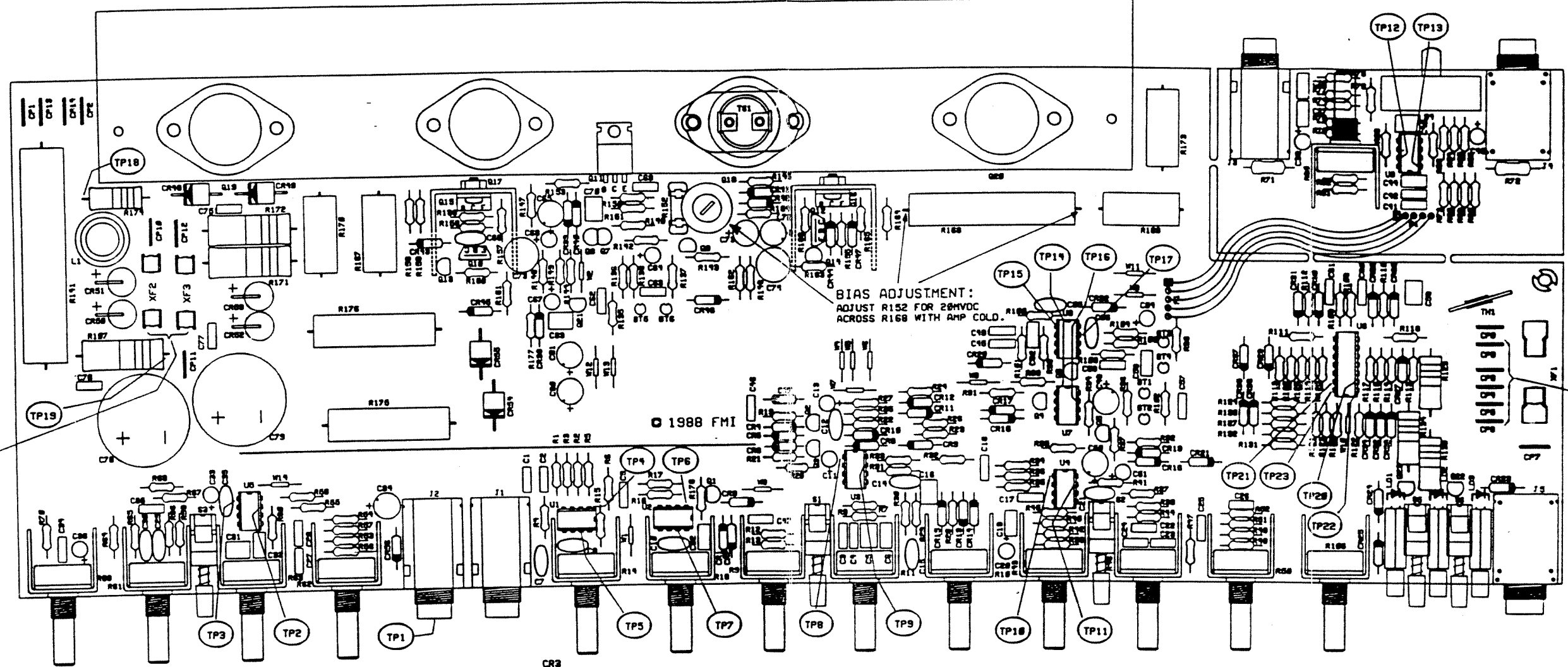
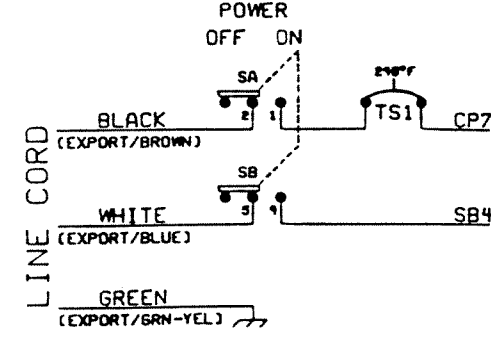


CP7 TO TS1 THERMOSTAT
* 120V-JUMPER CP6 TO SB4
POWER TRANSFORMER PN 029344

DOMESTIC MODEL



POWER TRANSFORMER PN 027515

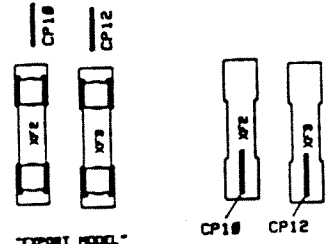


BIAS ADJUSTMENT:
ADJUST R152 FOR 20HVDC
ACROSS R168 WITH AMP COLD.

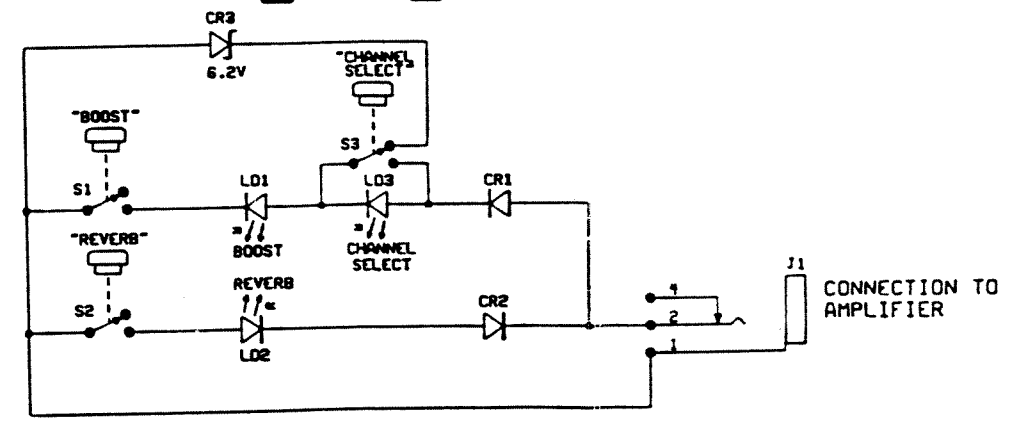
THESE FASTON TABS
ARE ONLY INSTALLED
ON EXPORT MODELS

SEE DETAIL C

© 1988 FMI



DETAIL C

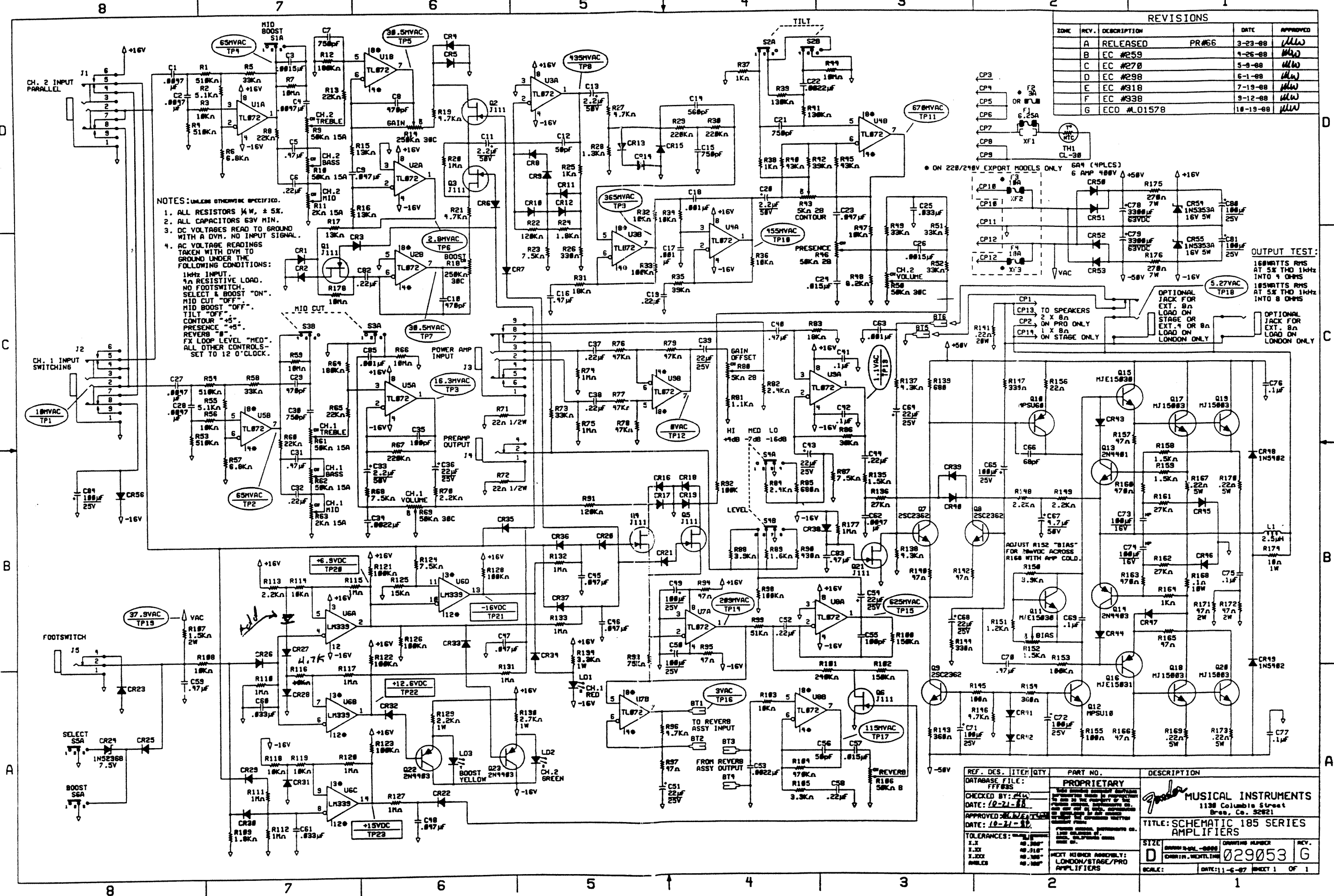


SCHEMATIC: TRIPLE FOOTSWITCH PN 029146

| | |
|----------------------------------|--------------|
| FILM/DWG: SCHEMATIC | DATE: 3-9-88 |
| DATABASE: FFF03SER | |
| LAYERS PLOTTED: 1 2 3 4 10 15 19 | |

| REF. DES. | ITEM | QTY | PART NO. | DESCRIPTION |
|--|---------|---|----------|------------------------|
| DATABASE FILE: FFF03SER | | PROPRIETARY | | |
| CHECKED BY: <i>uw</i> | | THIS DRAWING DOCUMENT CONTAINS INFORMATION WHICH IS PROPRIETARY TO AND IS THE PROPERTY OF THE FENDER MUSICAL INSTRUMENTS CO. AND MAY NOT BE USED, REPRODUCED OR DISCLOSED IN ANY MANNER OR IN ANY MANNER WITHOUT THE EXPRESS WRITTEN CONSENT FROM: MAKE TELL YOU SHIP | | |
| DATE: 10-31-88 | | APPROVED: <i>uw</i> | | |
| DATE: 10-31-88 | | FENDER MUSICAL INSTRUMENTS CO. 1130 COLUMBIA ST. BREA, CALIFORNIA 92621 | | |
| TOLERANCES: UNLESS OTHERWISE SPECIFIED | | TITLE: SERVICE DIAGRAM 185 SERIES AMPLIFIERS | | |
| X.X | ±0.050" | SIZE: B | | DRAWING NUMBER: 029721 |
| X.XX | ±0.010" | SCALE: 1:1 | | REV. E |
| X.XXX | ±0.005" | DATE: 3-9-1988 | | SHEET 1 OF 1 |
| ANGLES | ±0.500° | | | |

| REVISIONS | | | | | |
|-----------|------|-------------|-------|----------|-----|
| ZONE | REV. | DESCRIPTION | DATE | APPROVED | |
| | A | RELEASED | PR#56 | 3-23-88 | MLW |
| | B | EC #259 | | 4-26-88 | MLW |
| | C | EC #270 | | 5-9-88 | MLW |
| | D | EC #298 | | 6-1-88 | MLW |
| | E | EC #318 | | 7-19-88 | MLW |
| | F | EC #338 | | 9-12-88 | MLW |
| | G | ECO #L01578 | | 10-19-88 | MLW |



- NOTES: UNLESS OTHERWISE SPECIFIED:
1. ALL RESISTORS 1/4 W, ± 5%.
 2. ALL CAPACITORS 63V MIN.
 3. DC VOLTAGES READ TO GROUND WITH A DVM. NO INPUT SIGNAL.
 4. AC VOLTAGE READINGS TAKEN WITH DVM TO GROUND UNDER THE FOLLOWING CONDITIONS:
 1kHz INPUT.
 1Ω RESISTIVE LOAD.
 NO FOOTSWITCH.
 SELECT & BOOST "ON".
 MID CUT "OFF".
 TILT "OFF".
 CONTOUR "0".
 REVERB "0".
 FX LOOP LEVEL "MED".
 ALL OTHER CONTROLS SET TO 12 O'CLOCK.

| REF. DES. | ITEM | QTY | PART NO. | DESCRIPTION |
|---|---------------|------------------------|----------|-------------|
| DATABASE FILE: FFF55 | | | | |
| CHECKED BY: [Signature] | | | | |
| DATE: 10-21-88 | | | | |
| APPROVED: [Signature] | | | | |
| DATE: 10-21-88 | | | | |
| TOLERANCES: | | | | |
| X.X | | | | |
| X.XX | | | | |
| X.XXX | | | | |
| ANGLES | | | | |
| MUSICAL INSTRUMENTS 1138 Columbia Street Brook, Co. 52621 | | | | |
| TITLE: SCHEMATIC 185 SERIES AMPLIFIERS | | | | |
| SIZE: D | DATE: 11-6-87 | DRAWING NUMBER: 029053 | REV.: | G |
| NEXT HIGHER ASSEMBLY: LONDON/STAGE/PRO AMPLIFIERS | | | | |
| SCALE: 1 OF 1 | | | | |