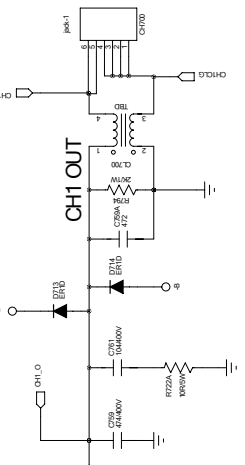
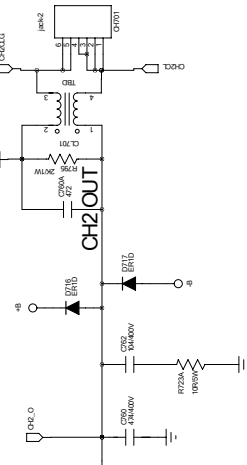


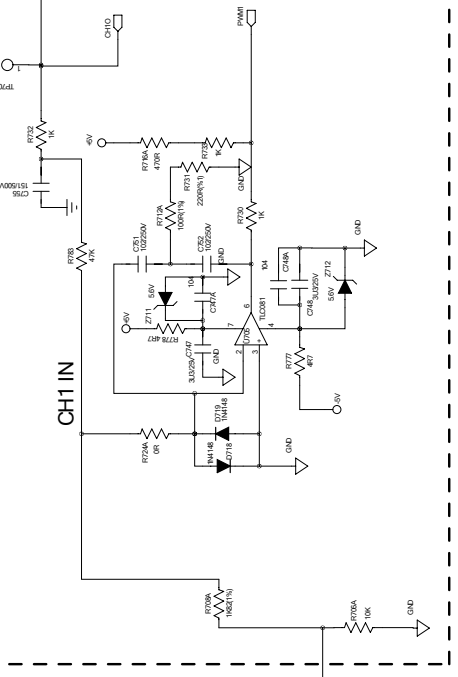
LC Filter and audio output for CH1



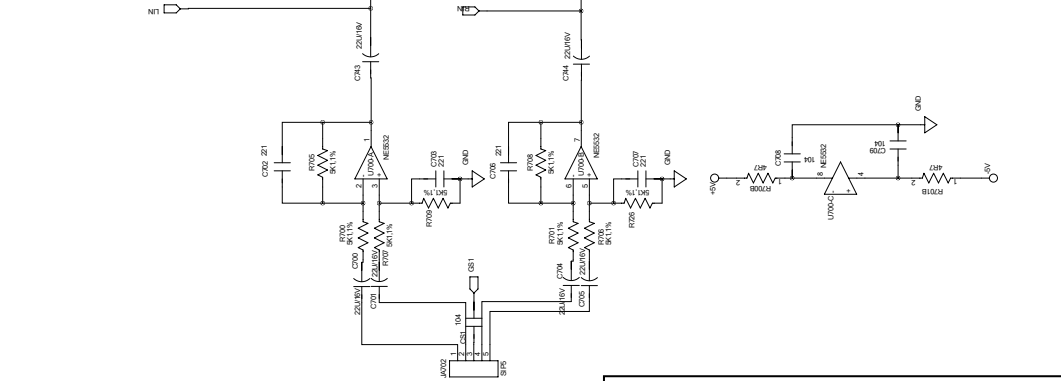
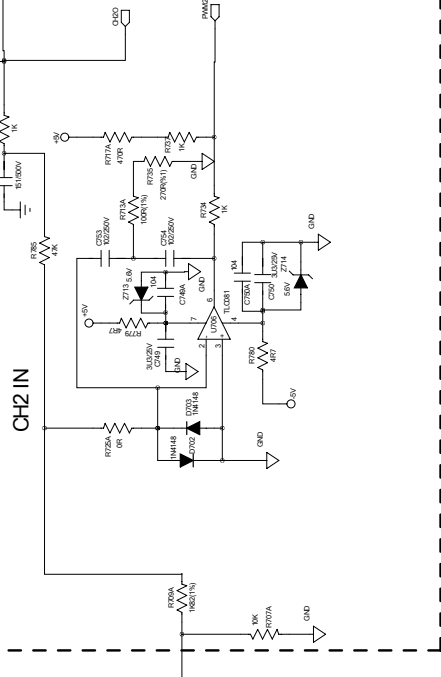
LC Filter and audio output for CH2



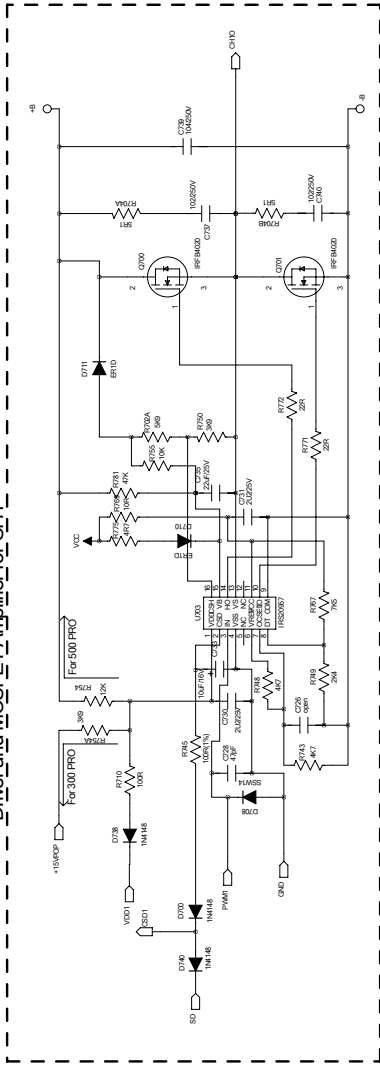
PWM generator for CH1



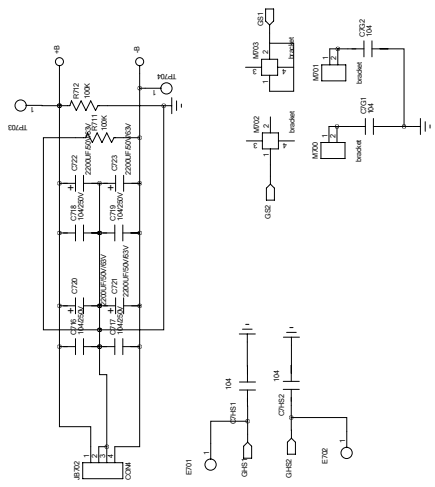
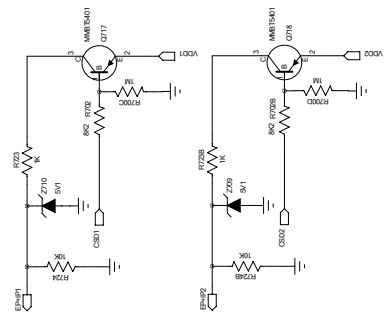
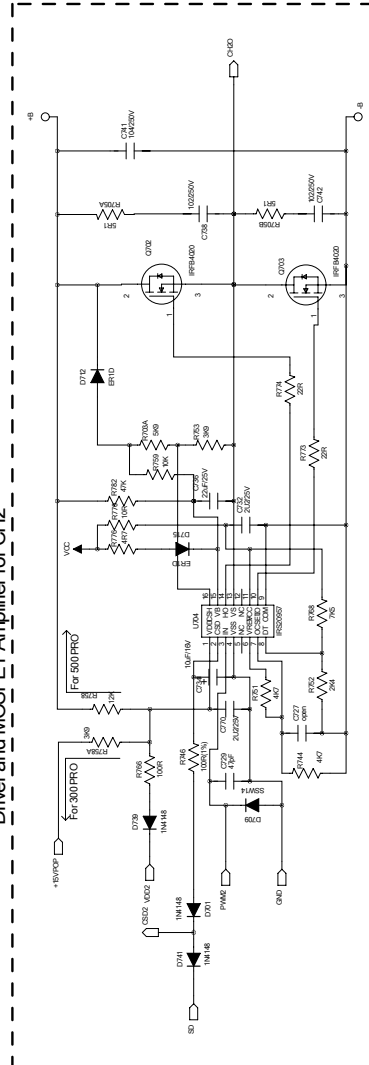
PWM generator for CH2



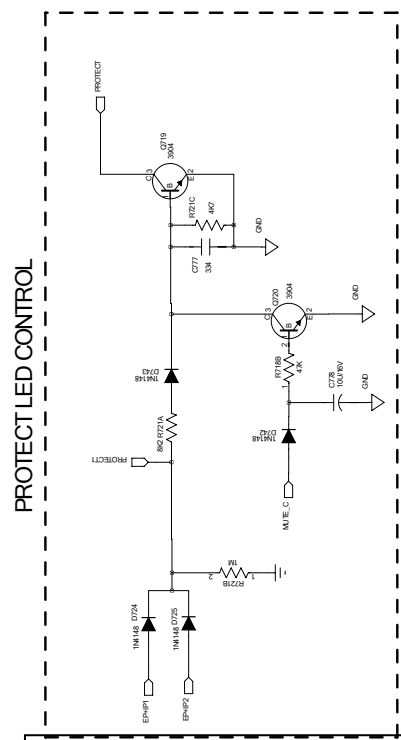
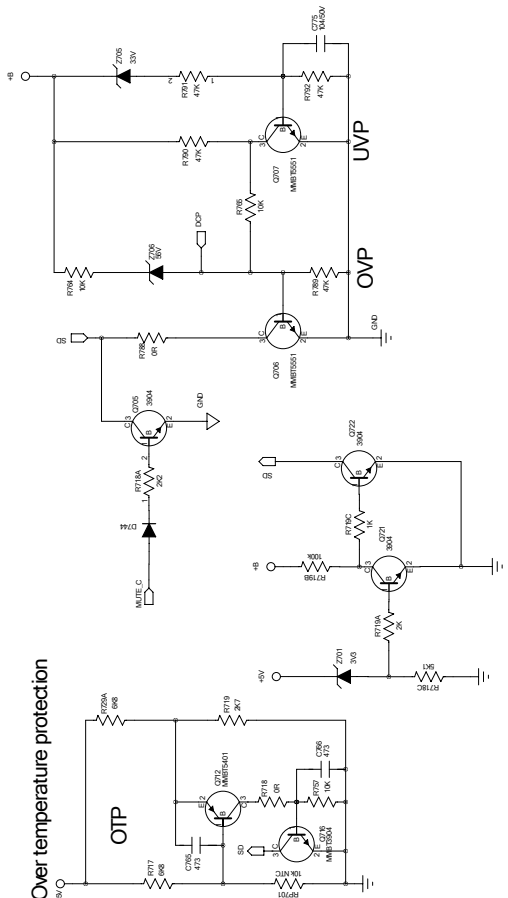
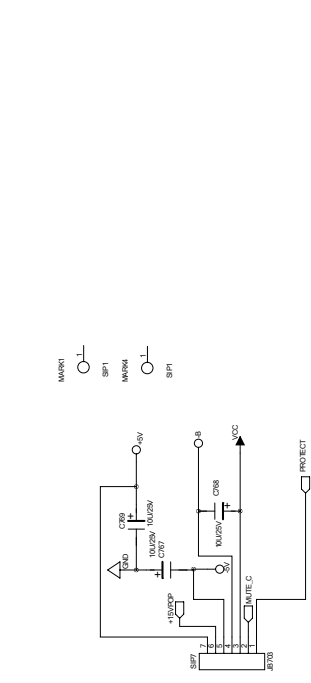
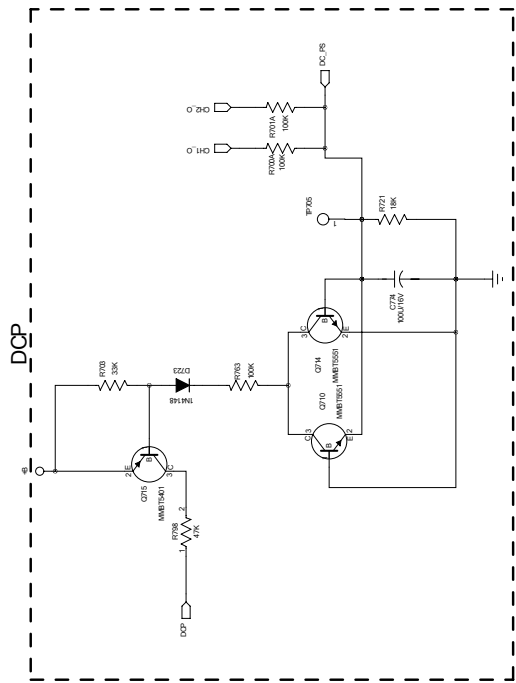
Driver and MOSFET Amplifier for CH1



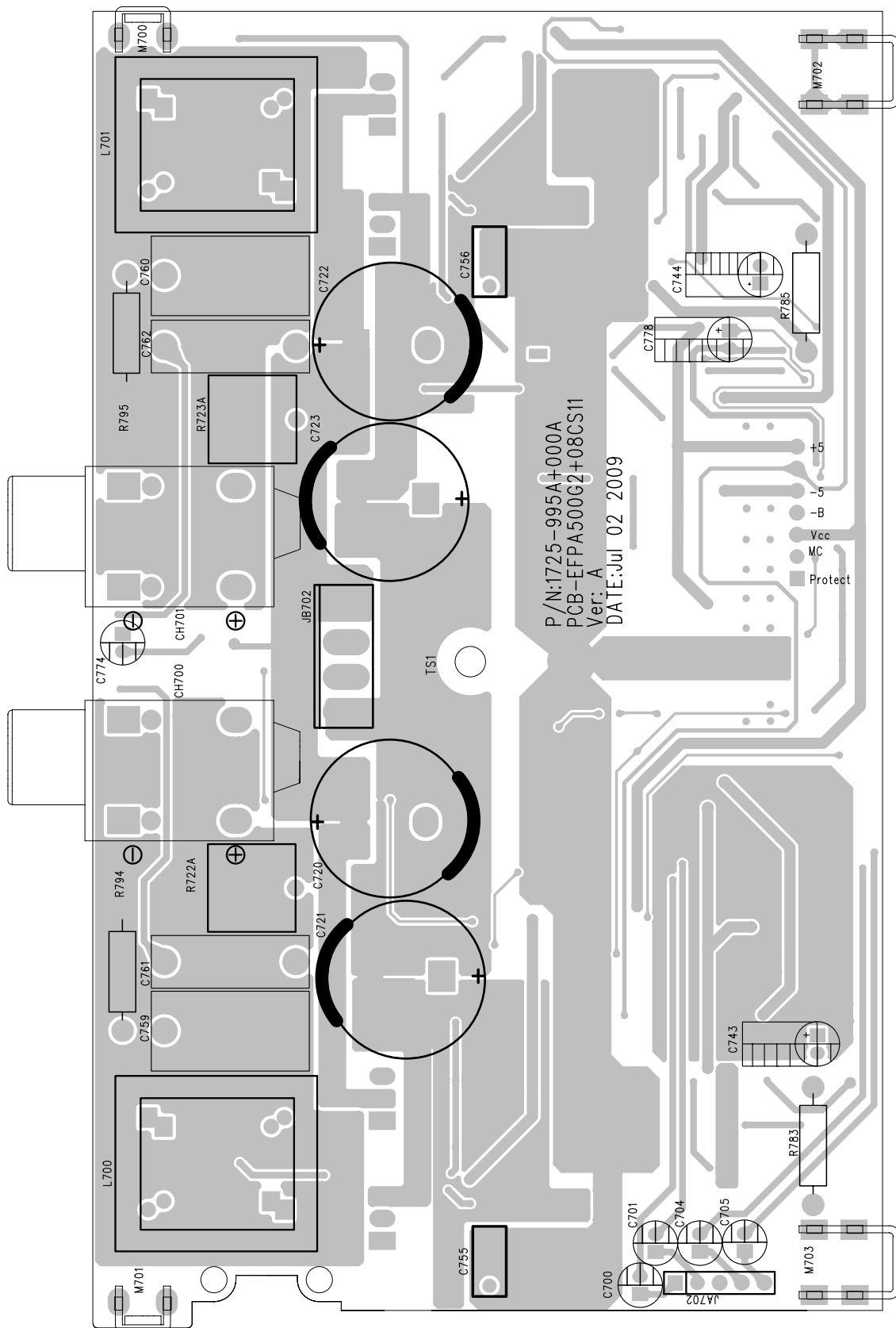
Driver and MOSFET Amplifier for CH2



Fender PASSPORT
AMP Schematic Diagram



Fender PASSPORT
AMP Schematic Diagram

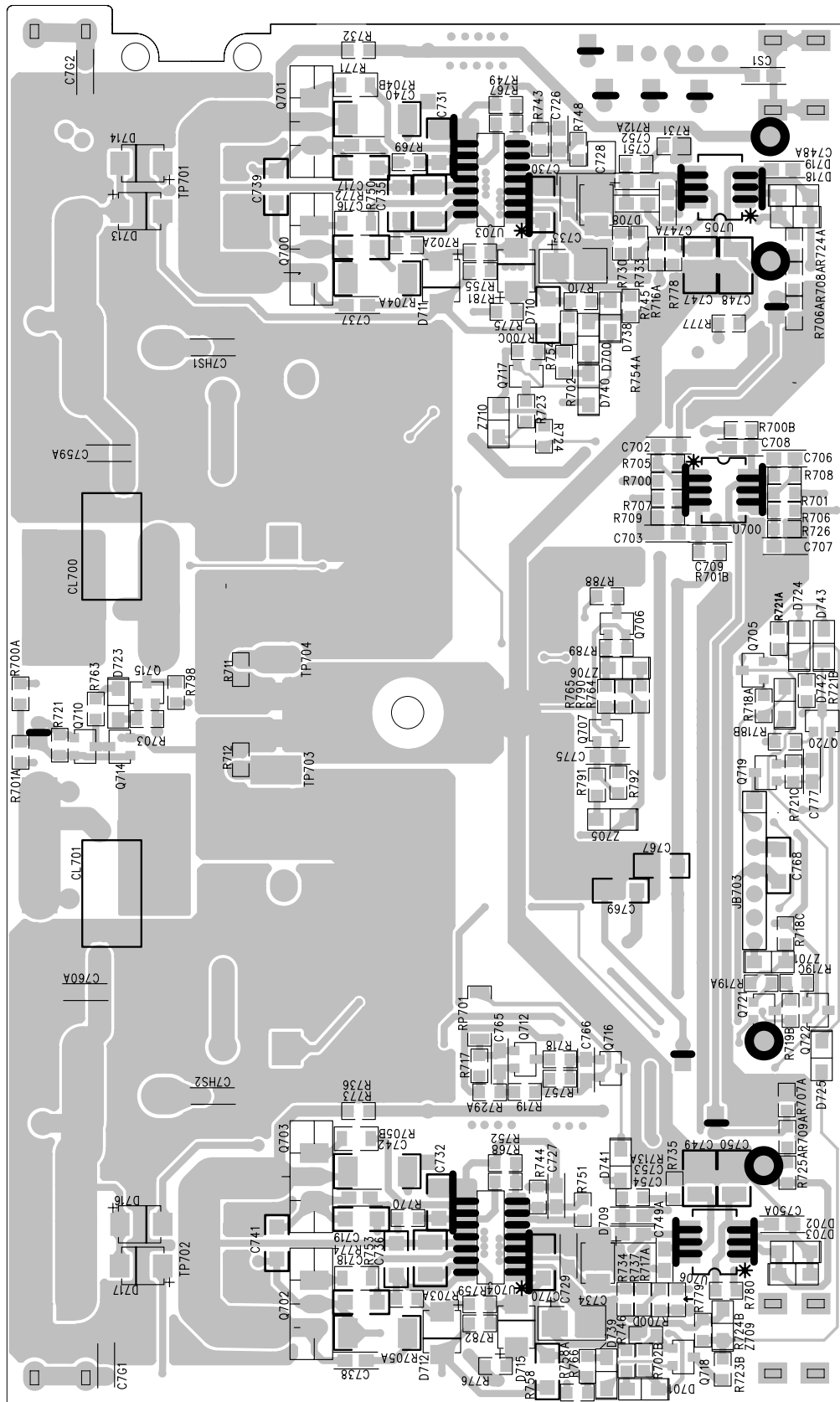


AMP PCB top side

Fender

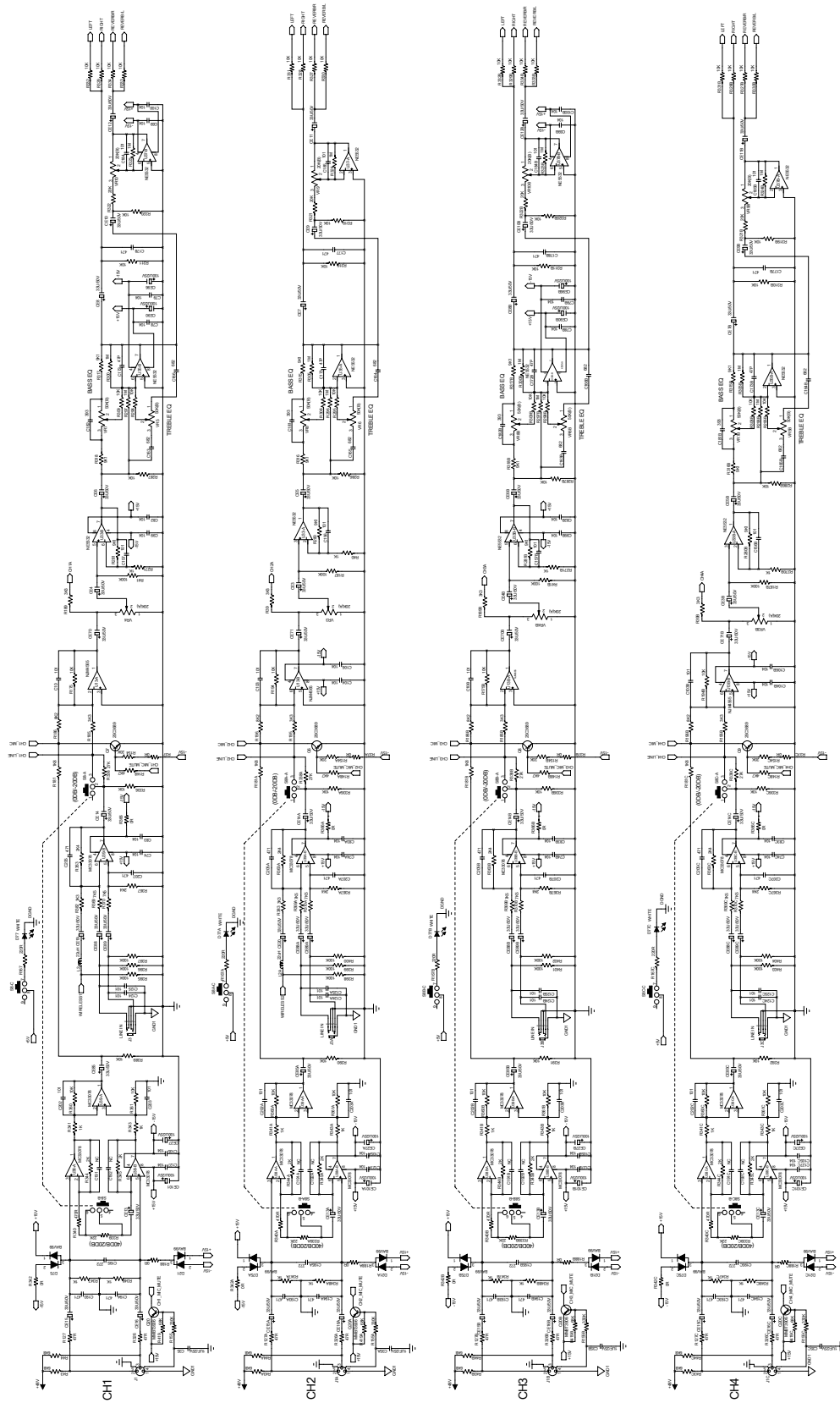
PASSPORT

AMP PCB



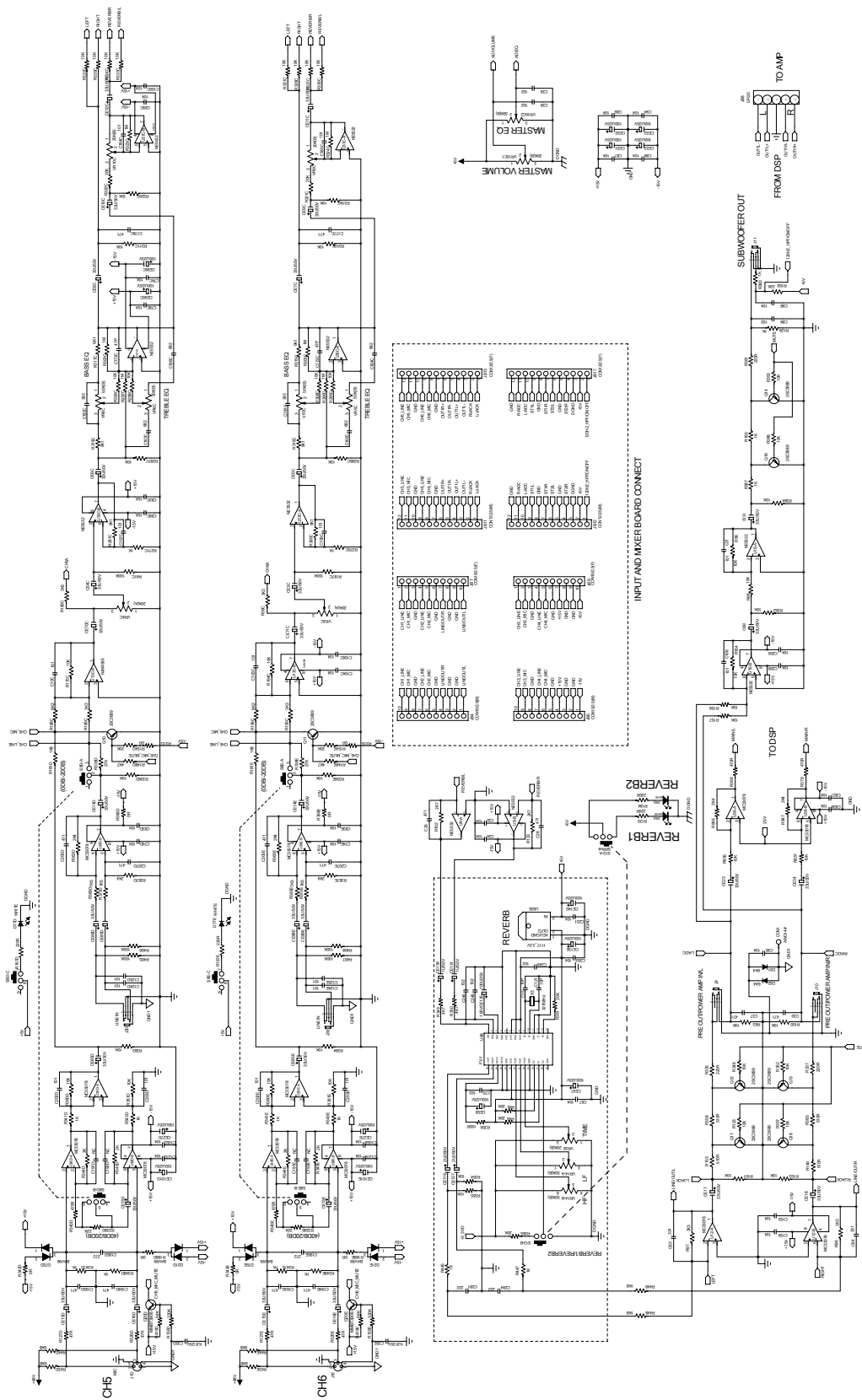
AMP PCB bottom side

Fender **PASSPORT**
AMP PCB



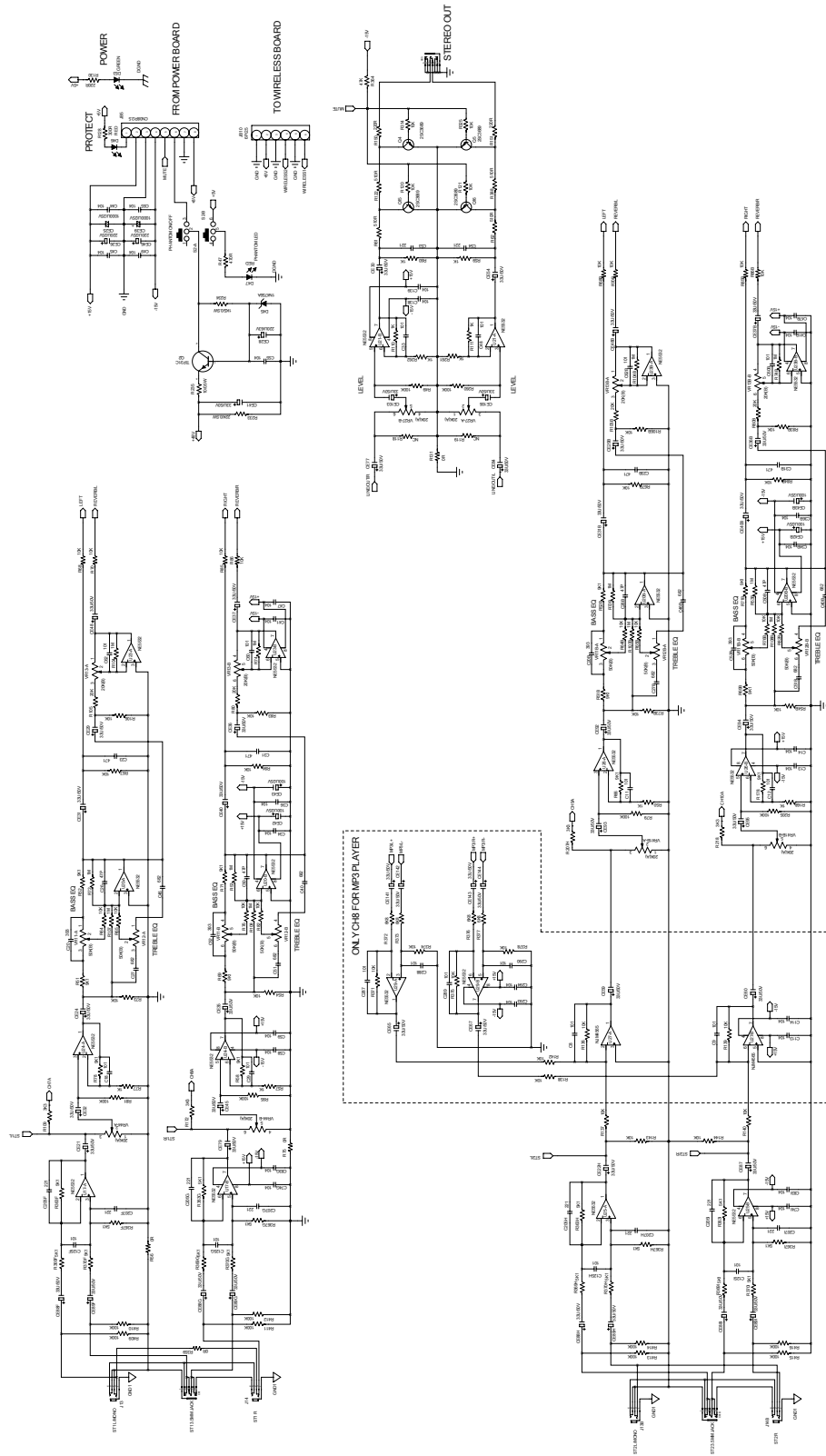
Input & Mixer CH1-CH4

Fender **PASSPORT**
Input & Mixer Schematic diagram

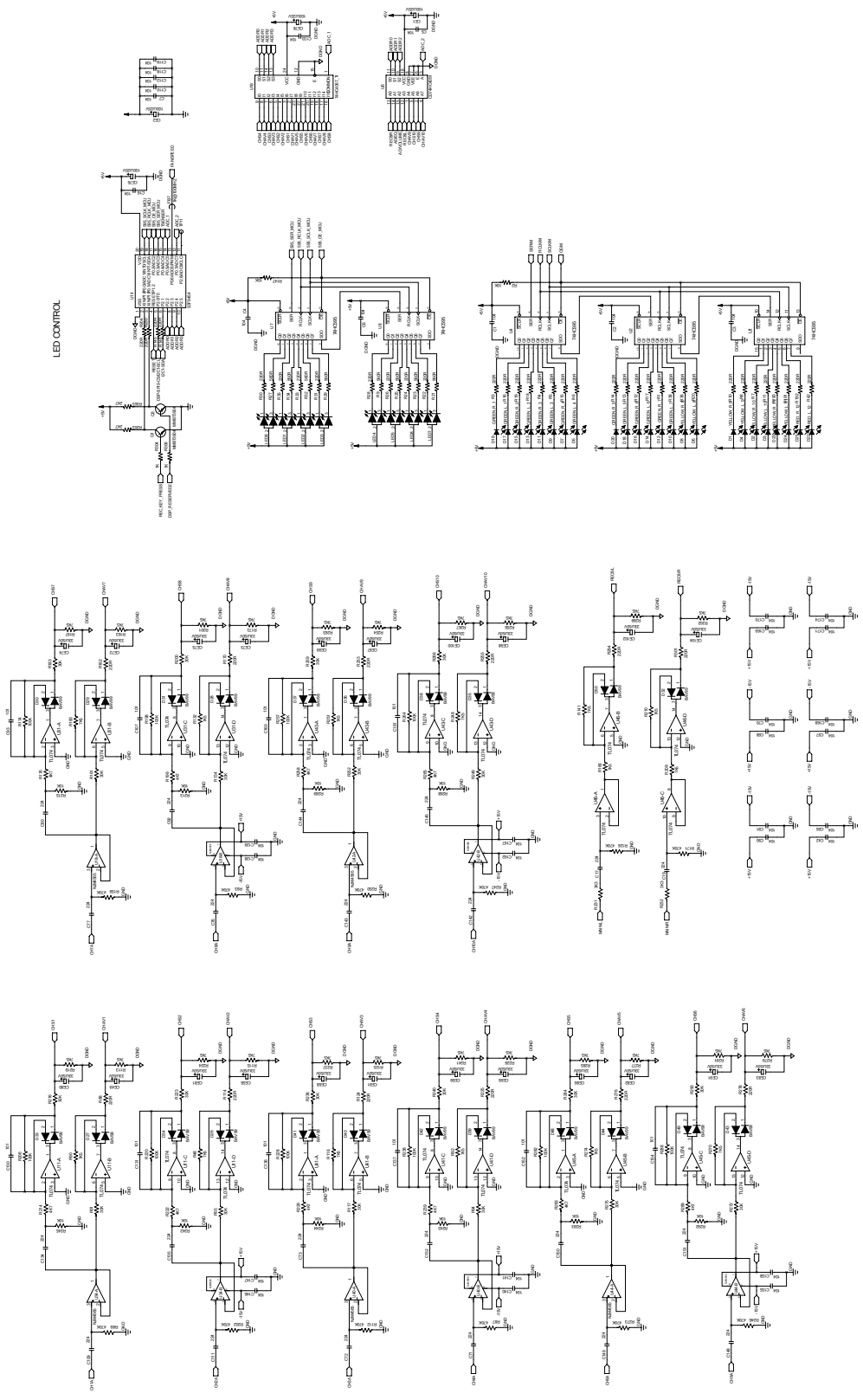


Input & Mixer CH5-CH6


Fender **PASSPORT**
Input & Mixer Schematic

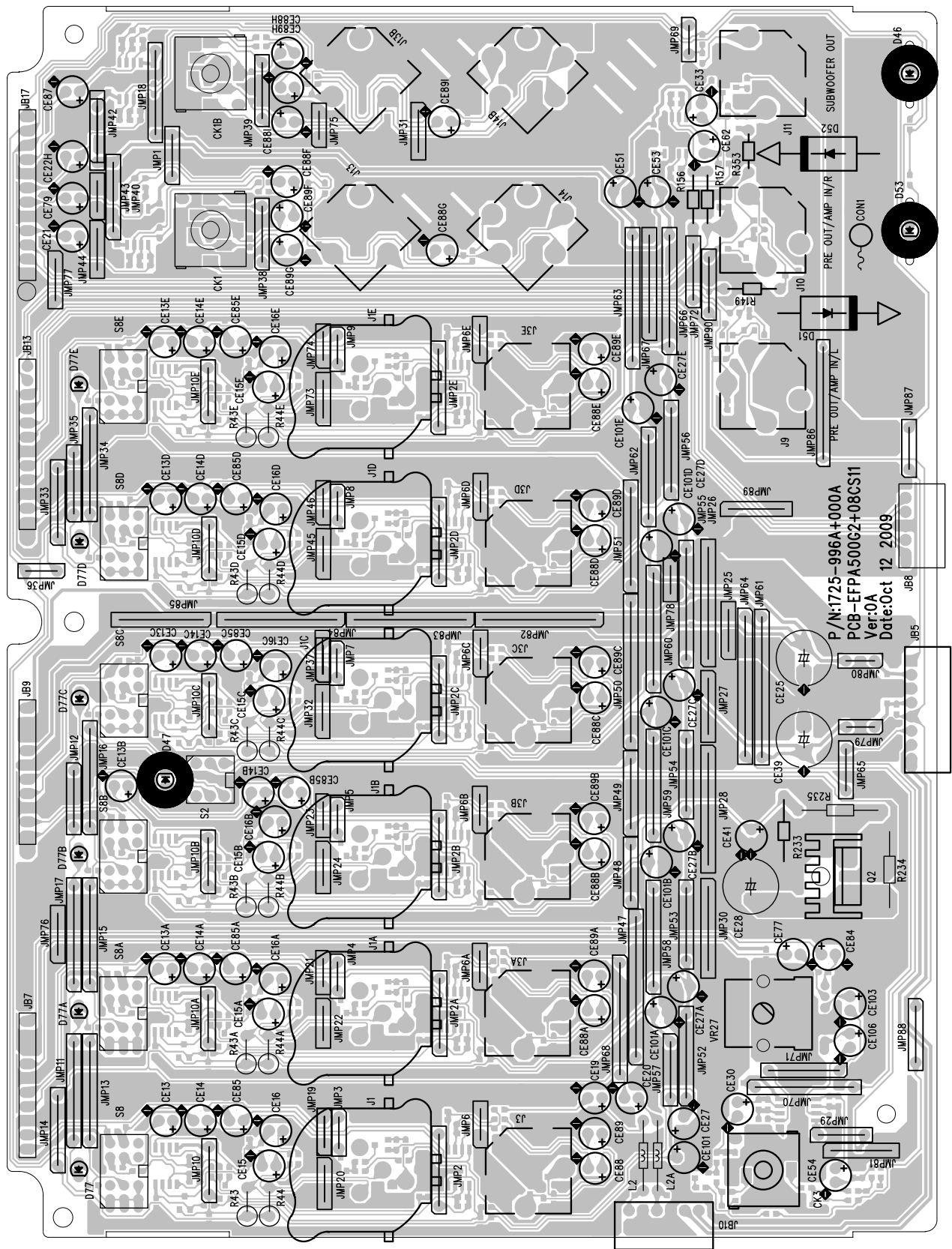


Input & Mixer ST/CH1-2



Mixer USB-PLAYER

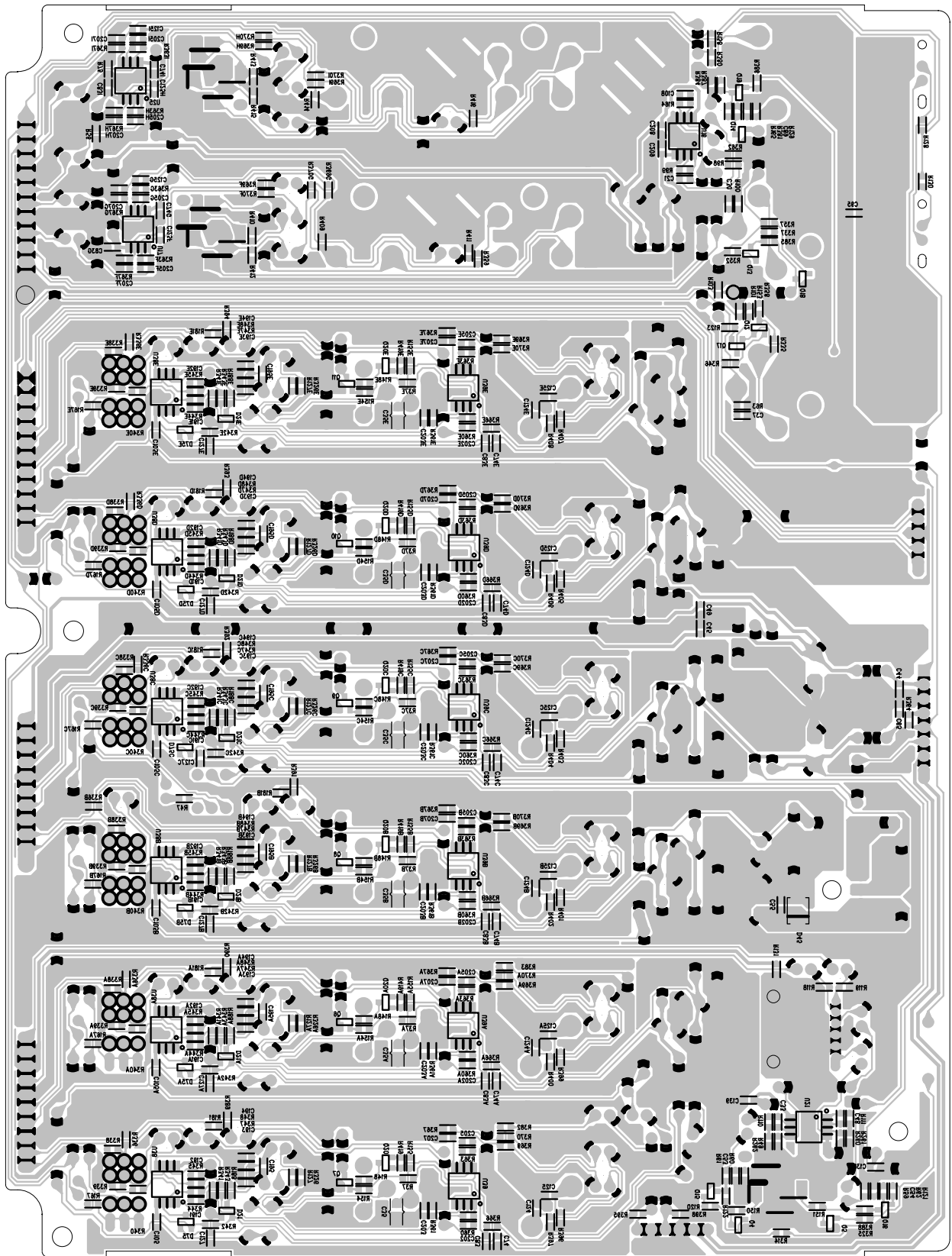

PASSPORT
 Input & Mixer Schematic diagram



P/N:1725-996A+000A
 PCB-EFFA500G2+08CS11
 Ver:0A
 Date:Oct 12 2009

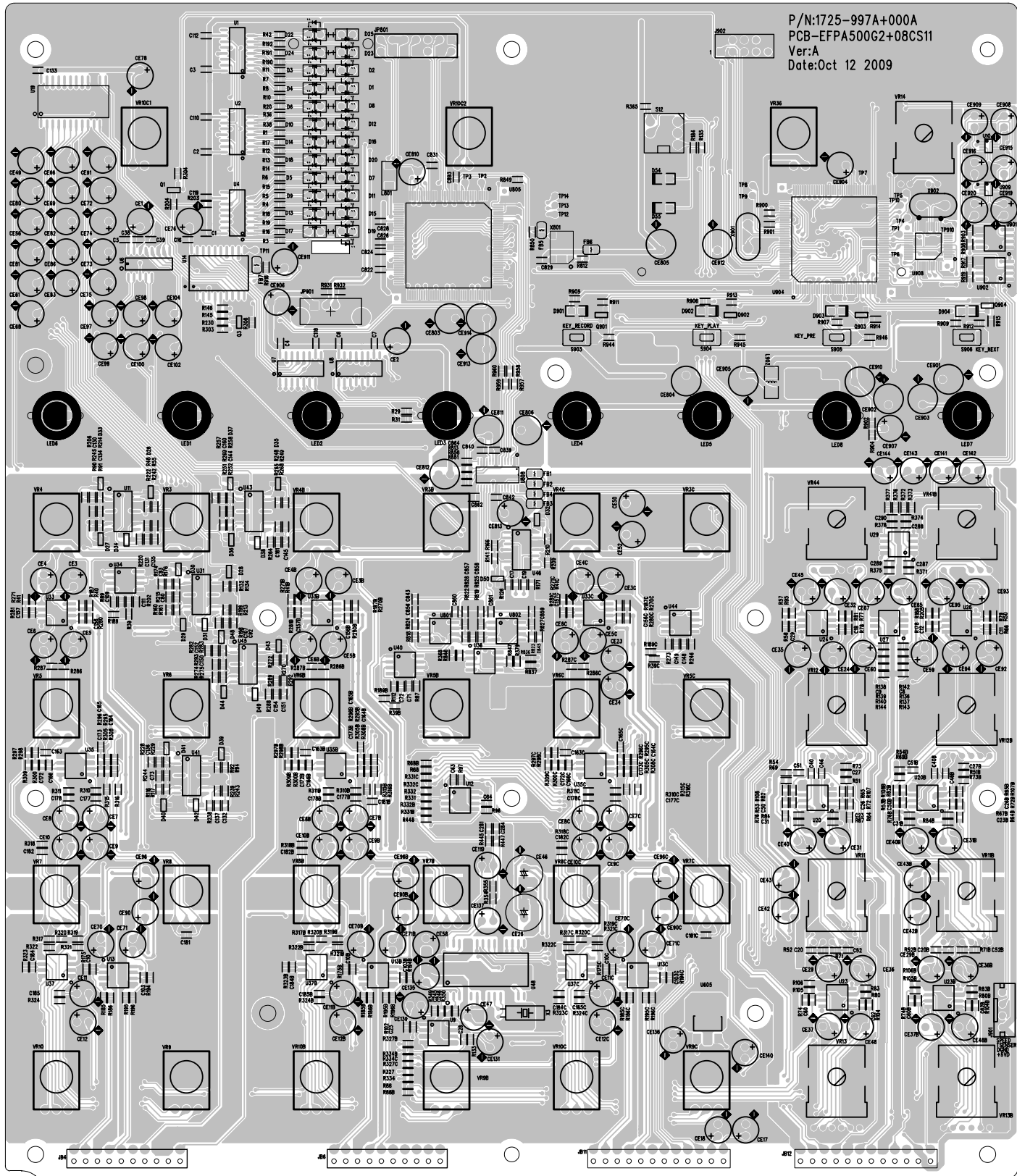
Input PCB top side

Fender **PASSPORT**
 Input PCB



Input PCB bottom side

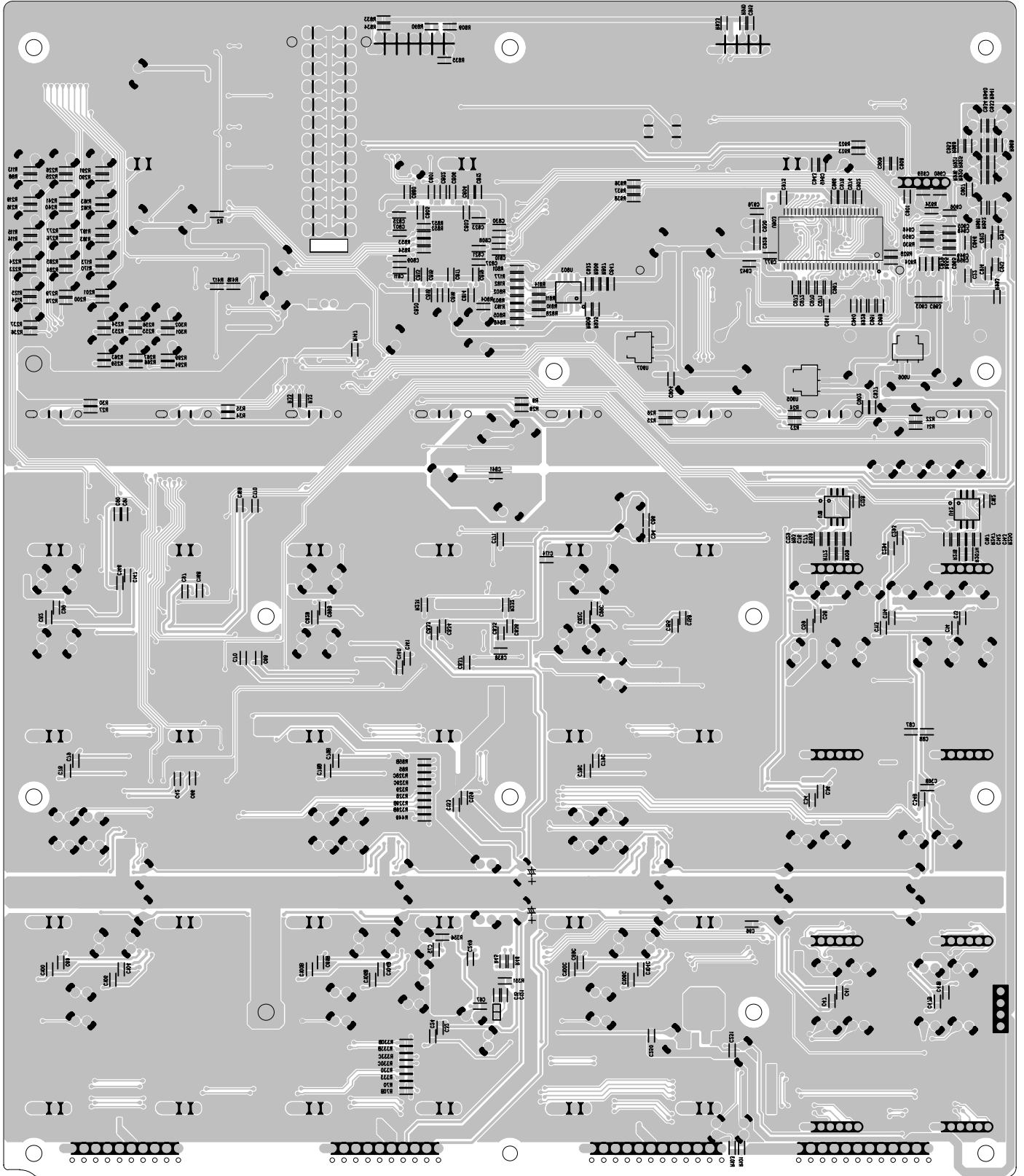
Fender **PASSPORT**
Input PCB



P/N:1725-997A+000A
 PCB-EFPA500G2+08CS11
 Ver:A
 Date:Oct 12 2009

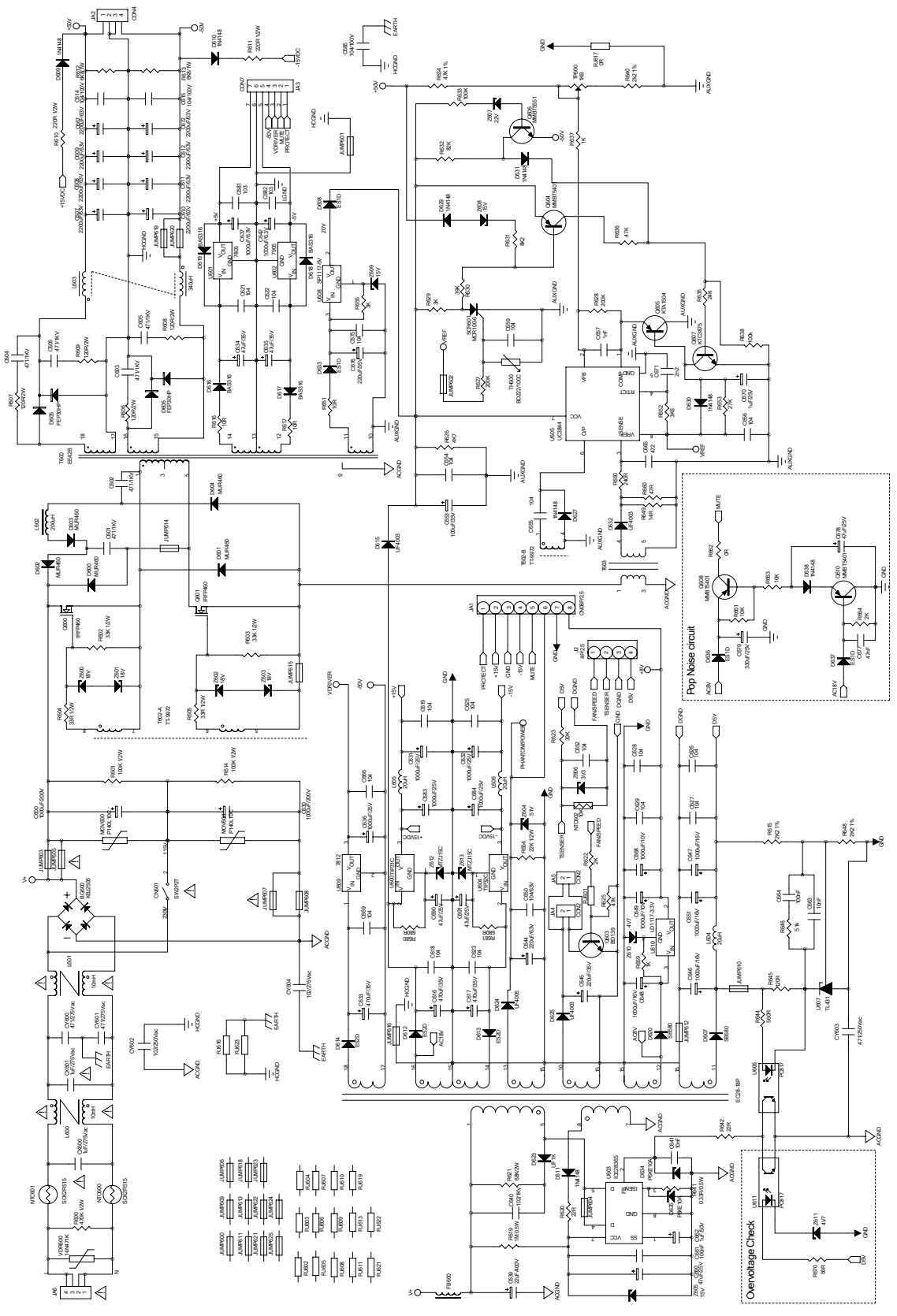
Mixer PCB top side


Fender **PASSPORT**
 Mixer PCB

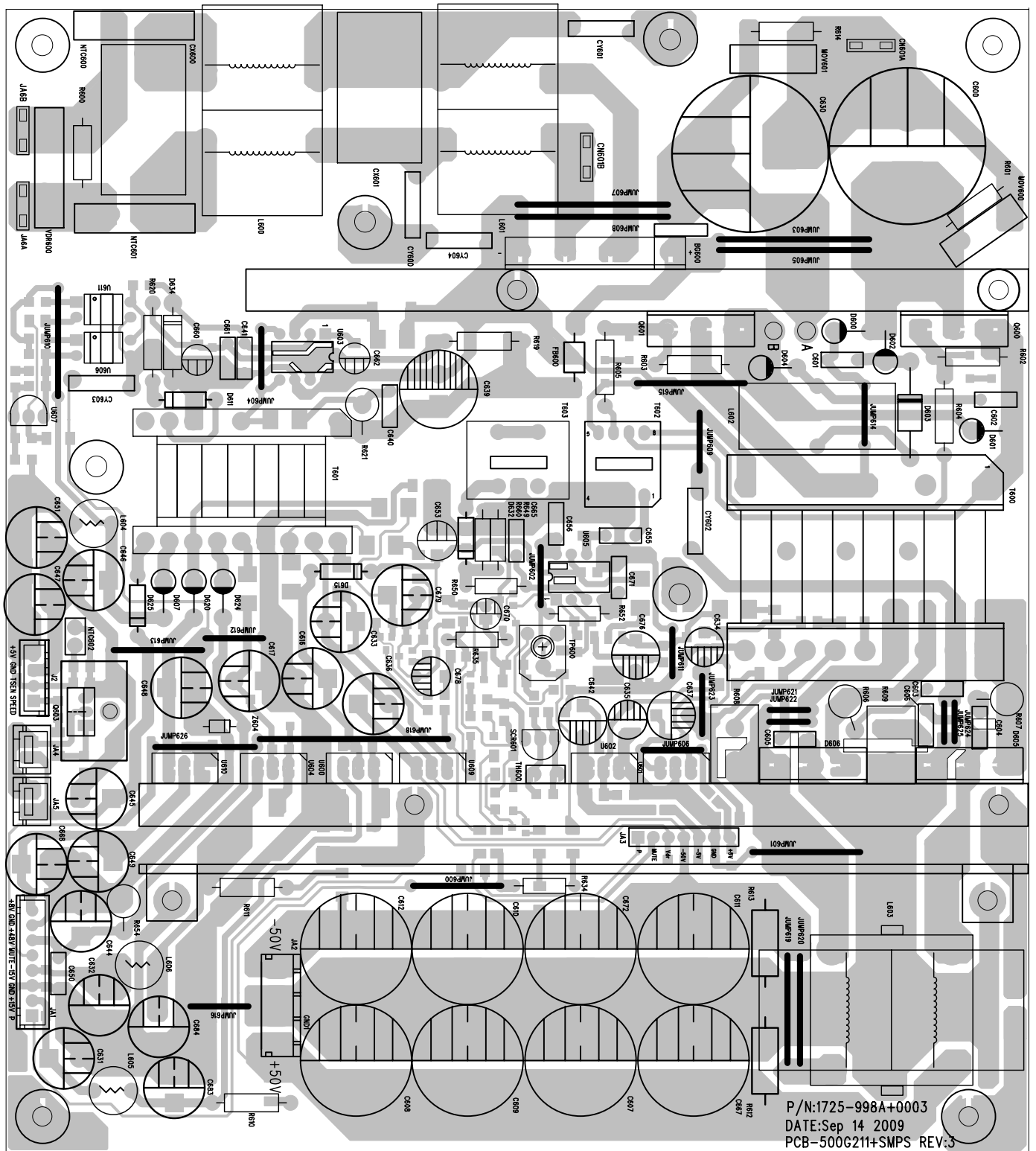


Mixer PCB bottom side

Fender **PASSPORT**
Mixer PCB



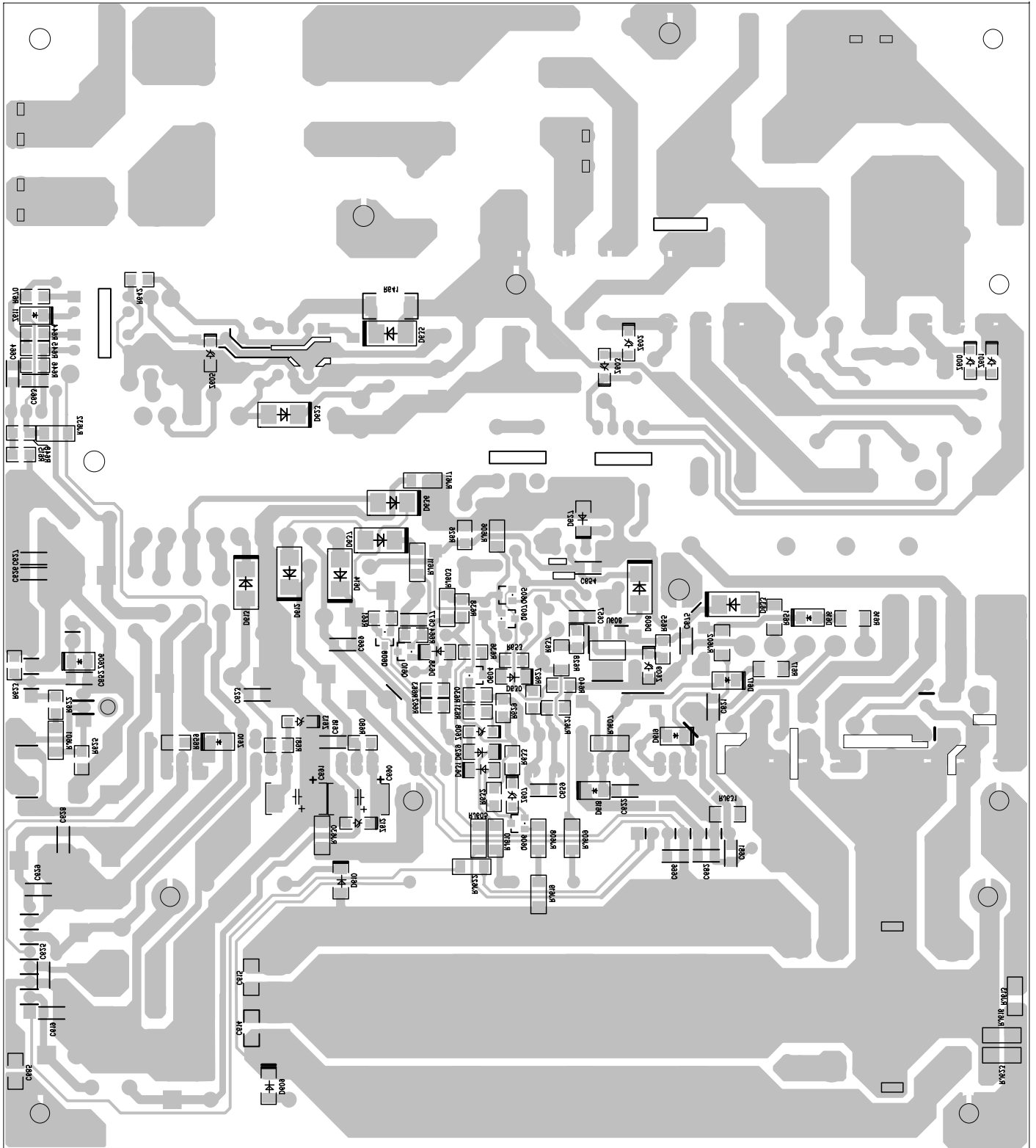

PASSPORT
 SMPS Schematic Diagram




P/N:1725-998A+0003
 DATE: Sep 14 2009
 PCB-500G211+SMPS REV:3

SMPS PCB top side

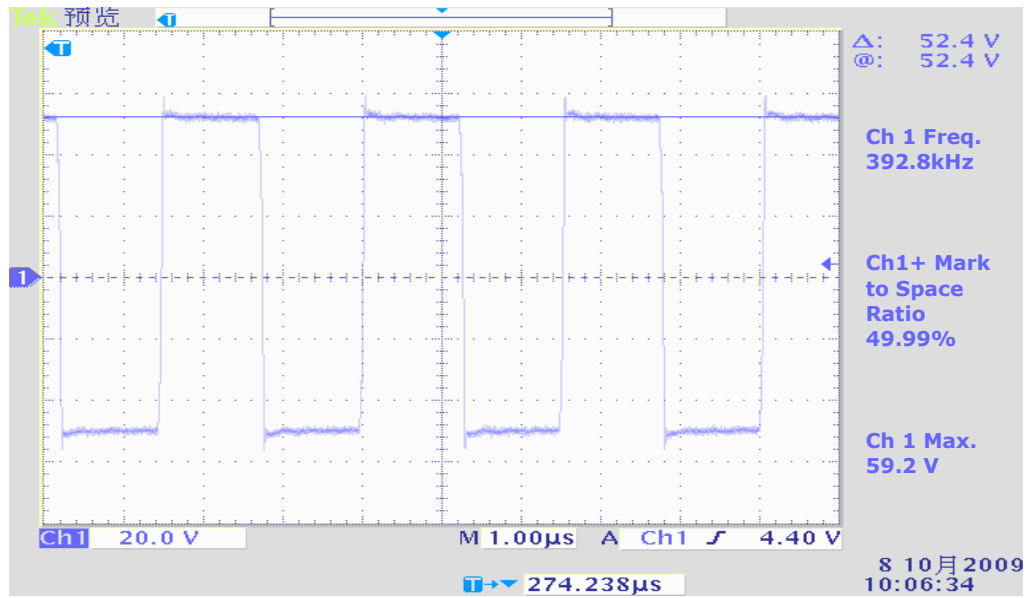
Fender **PASSPORT**
 SMPS PCB



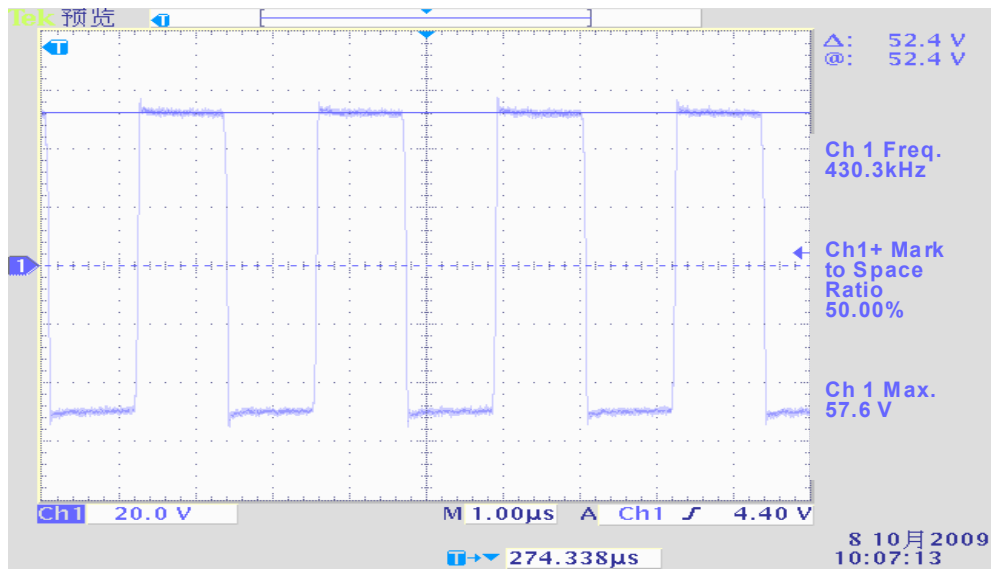
SMPS PCB bottom side


PASSPORT
 SMPS PCB

TP701



TP702



TP703 +50V

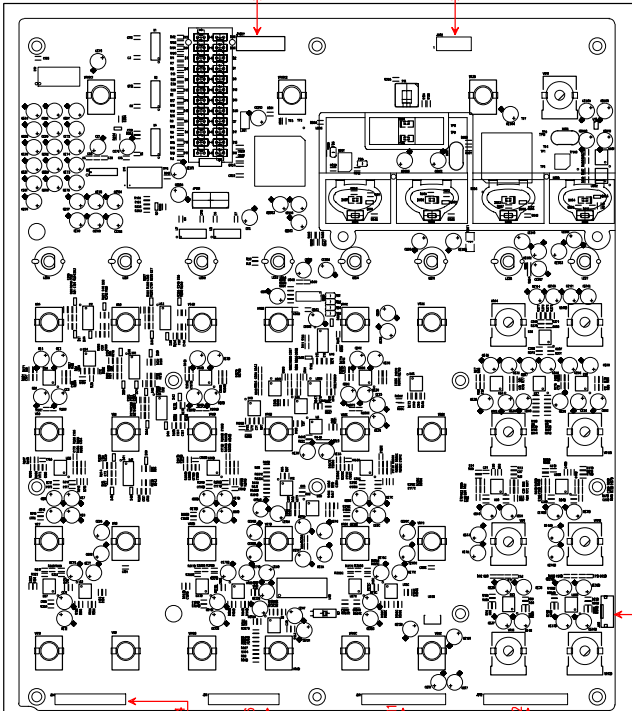
TP704 -50V

Fender PASSPORT
Test Point Information

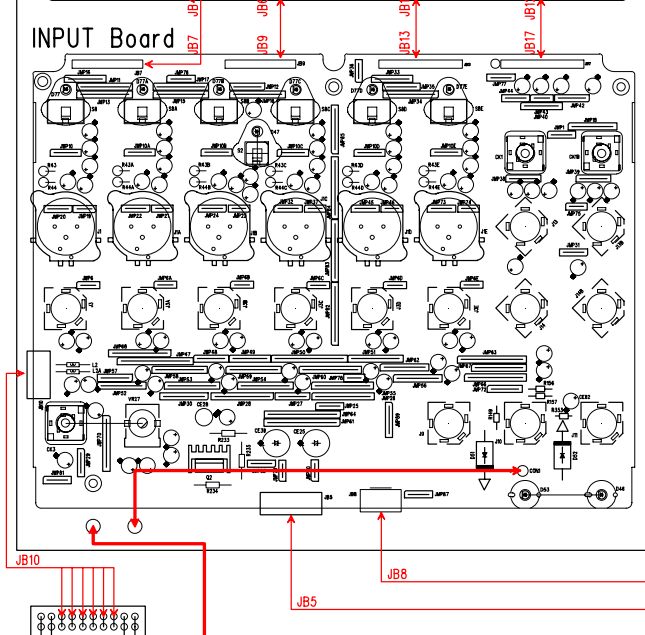
MIXER Board

DSP Software Test

MCU Software Test

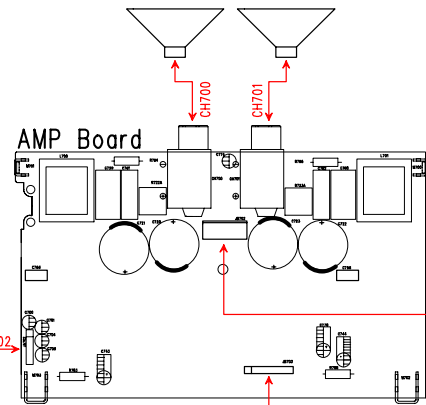


INPUT Board

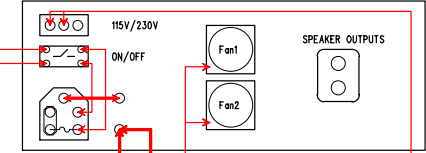


Wireless Receiver

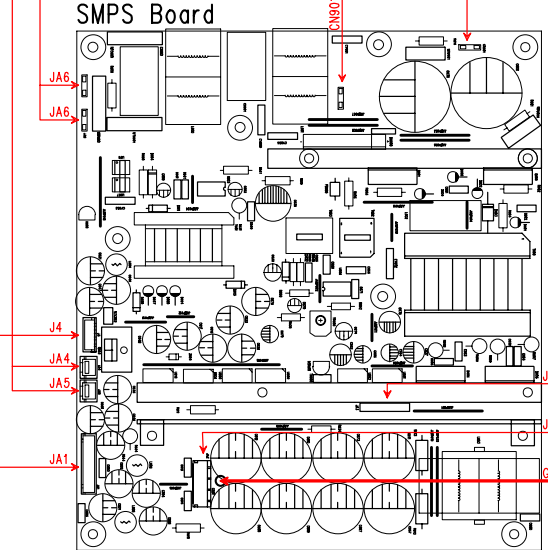
AMP Board



SMPS BOX



SMPS Board



Fender **PASSPORT**
Wiring Diagram