

FENDER  
MODEL

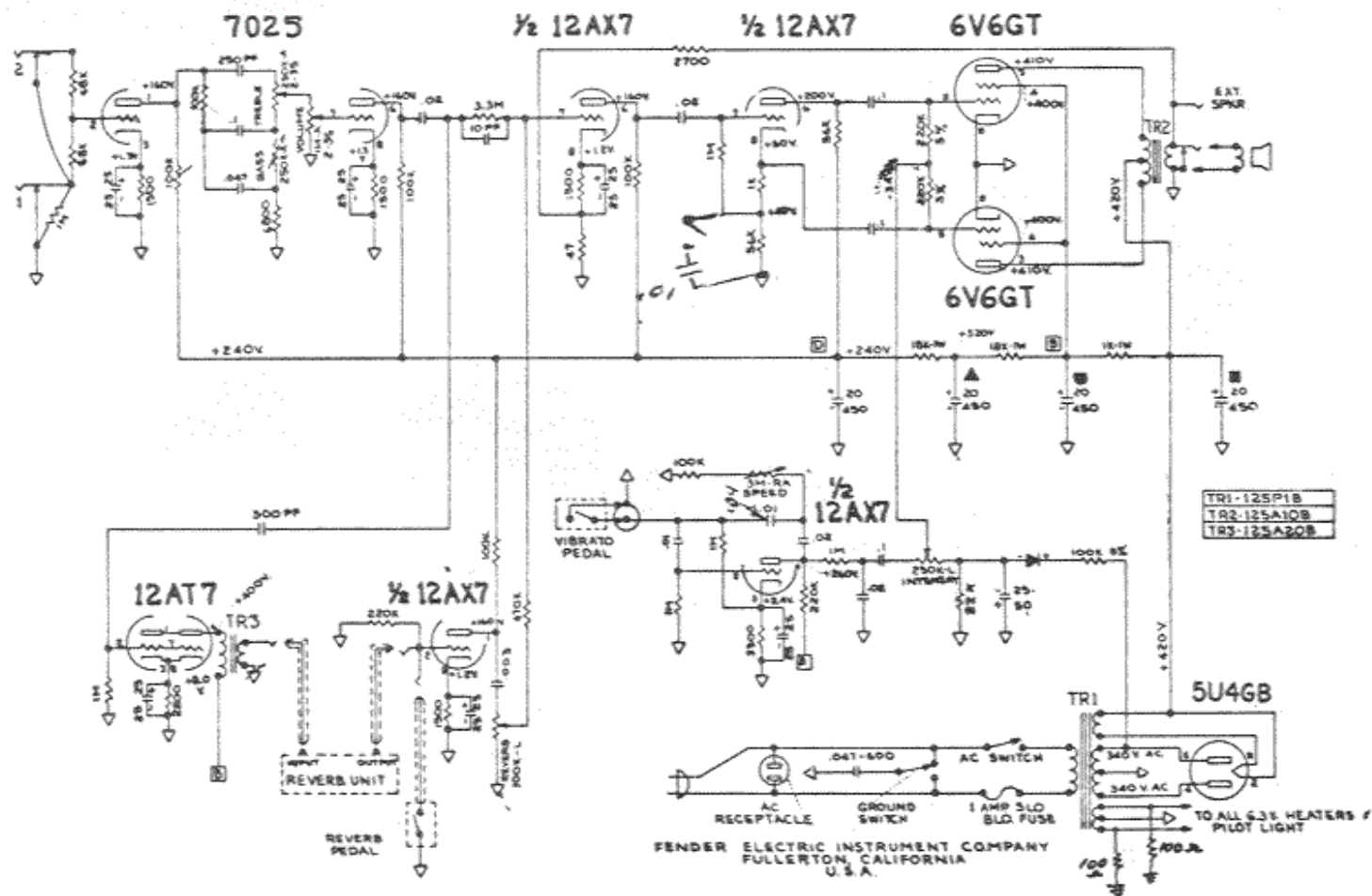
"PRINCETON REVERB-AMP AA1164" SCHEMATIC NOTICE

THIS PRODUCT MANUFACTURED UNDER ONE  
OR MORE OF THE FOLLOWING U.S. PATENTS:  
#2,817,708, 2,973,481, 1,928,559 / PATENTS PENDING

1 VOLTAGES READ TO GROUND WITH ELECTRONIC VOLTMETER  
VALUES SHOWN + OR - 20%  
2 ALL RESISTORS 1/2 WATT 10% TOLERANCE IF NOT SPECIFIED  
3 ALL CAPACITORS AT LEAST 400 VOLT RATING IF NOT SPECIFIED

KFD

INSTRUMENTS



FENDER MUSICAL INSTRUMENTS  
CBS MUSICAL INSTRUMENTS  
A DIVISION OF COLUMBIA BROADCASTING SYSTEMS INC.  
FULLERTON CALIFORNIA  
U.S.A.

DRAWING TITLE			
SCHEMATIC & WIRING DIAGRAM			
AA1164			
PRINCETON REVERB AMP			
REL. NO.	REV.	DWG. NO.	REV.
571	D	045427	A
SCALE	INSTR. INSTR. CO. REF.	SHEET	1 OF 2
	ENC. 1, 2, 3, 4, 5, 6, 7, 8, 9, 10, 11, 12, 13, 14, 15, 16, 17, 18, 19, 20, 21, 22, 23, 24, 25, 26, 27, 28, 29, 30, 31, 32, 33, 34, 35, 36, 37, 38, 39, 40, 41, 42, 43, 44, 45, 46, 47, 48, 49, 50, 51, 52, 53, 54, 55, 56, 57, 58, 59, 60, 61, 62, 63, 64, 65, 66, 67, 68, 69, 70, 71, 72, 73, 74, 75, 76, 77, 78, 79, 80, 81, 82, 83, 84, 85, 86, 87, 88, 89, 90, 91, 92, 93, 94, 95, 96, 97, 98, 99, 100		