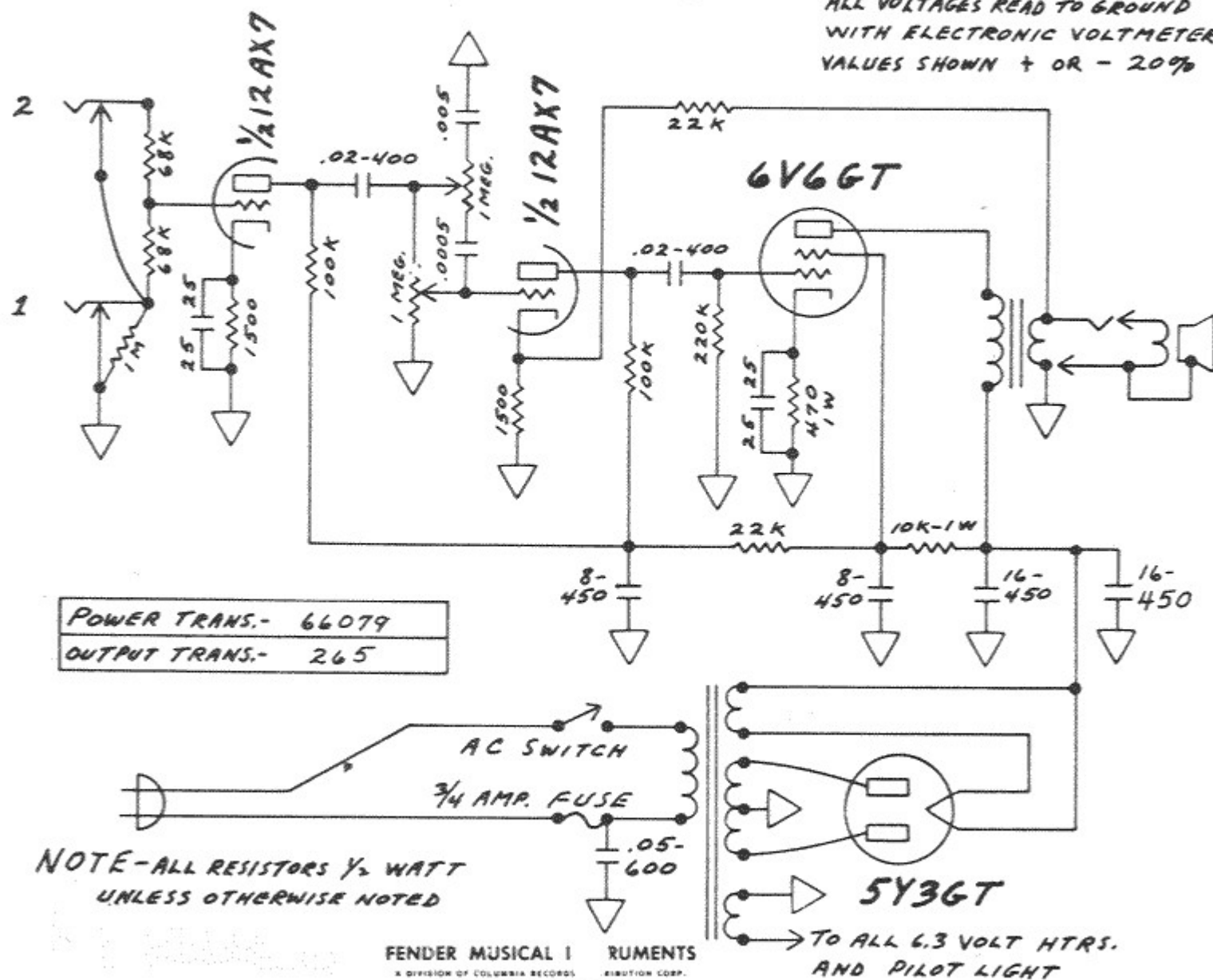


FENDER "PRINCETON" SCHEMATIC MODEL 5F2-A

K-EG

NOTICE

ALL VOLTAGES READ TO GROUND
WITH ELECTRONIC VOLT-METER
VALUES SHOWN + OR - 20%



NOTE - ALL RESISTORS 1/2 WATT
UNLESS OTHERWISE NOTED

FENDER MUSICAL INSTRUMENTS
A DIVISION OF COLUMBIA RECORDS & BROADCASTING CORP.
SANTA ANA, CALIFORNIA
U.S.A.