

REVISIONS		
REV.	DESCRIPTION	DATE
A	RELEASED PR#82	7-14-88
B	EC#919	7-22-88
C	EC#960	10-5-88

ZONE	REV.	DESCRIPTION	DATE	APPROVED

REV. DES.	ITEM	QTY	PART NO.
FFB049			

DATE:	DATE:	DATE:	DATE:
APPROVED:			
TOLERANCES:			

1130 Columbia Street
Brea, Ca. 92621

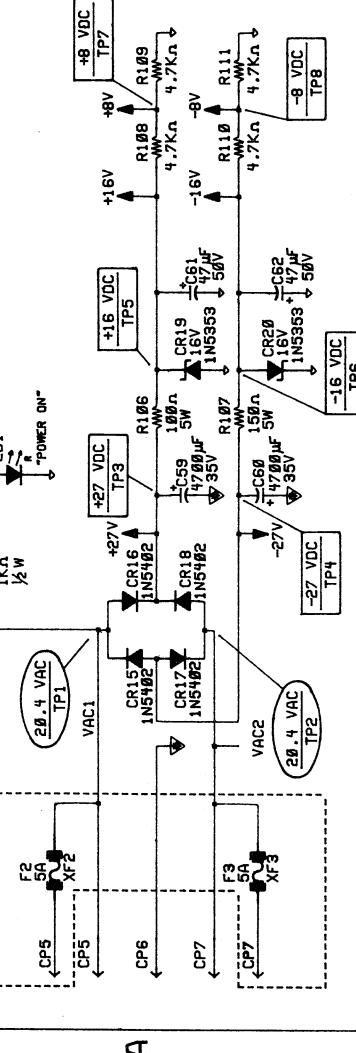
MUSICAL INSTRUMENTS

TITLE: SCHEMATIC DIAGRAM OF AMPLIFIER - PRINCETON CHORUS

SIZE: D
DRAWING NUMBER: 029242
SCALE: DATE: 5-25-88 SHEET: 1 OF 1

OUTPUT POWER TEST:
1kHz POWER AMP INPUT INSERTED AT STEREO EFFECTS LOOP RETURN (J7) ON TIP AND RING
* DUMMY PLUG INSERTED AT INPUT NO.1 (J1)
8Ω RESISTIVE LOADS AT CP1/CP2 AND CP3/CP4
120 VAC LINE INPUT
RESULT - 25.5 WATTS RMS X 2 = 51 WATTS RMS AT 5% T.H.D.

- AC VOLTAGE READINGS TAKEN WITH DVH TO GROUND, AND TP26-TP29 WAVEFORMS OBSERVED WITH SCOPE UNDER THE FOLLOWING CONDITIONS:
 - 1kHz INPUT
 - 8Ω RESISTIVE LOADS (CP)
 - NO DUMPSwitch
 - OVERDRIVE SELECT "ON"
 - REVERB SELECT "ON"
 - CHORUS RATE "10"
 - CHORUS DEPTH "0"
 - ALL OTHER CONTROLS SET TO 12 O'CLOCK
- DC VOLTAGES READ TO GROUND WITH A DVH AND NO INPUT SIGNAL
- ALL DIODES 1N4448
- ALL CAPACITORS 63V MIN.
- ALL RESISTORS 1/4W, 5%



ONLY FOR EXPORT 220/240V MODELS
- STAKE-ON FOR STORAGE ONLY

EXPORT ONLY
CP8 #
CP9 #
CP10 #
CP11 #
CP12 #
CP13 #
CP14 #

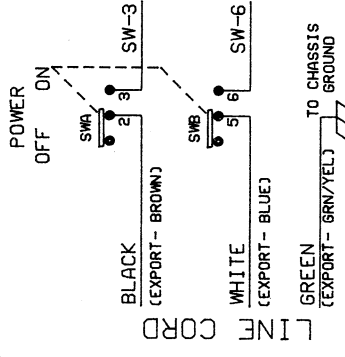
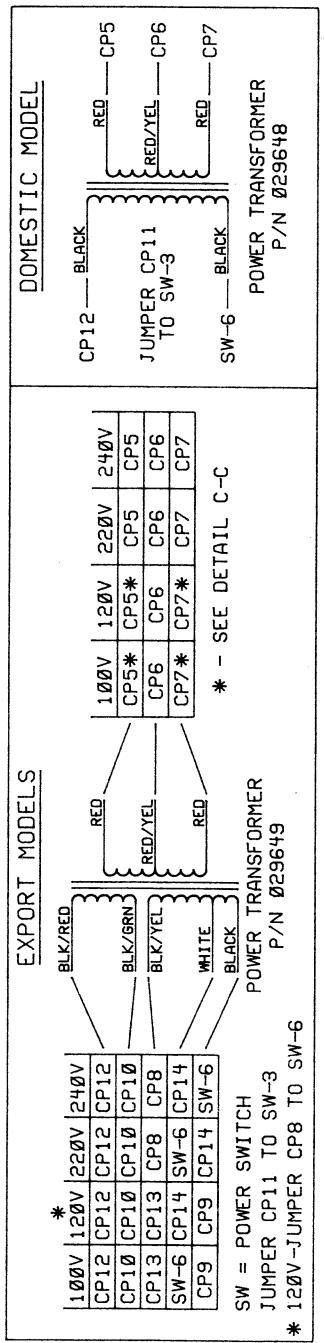
ONLY FOR EXPORT 220/240V MODELS

F1
F2
F3

TH1
TH2

POWER ON

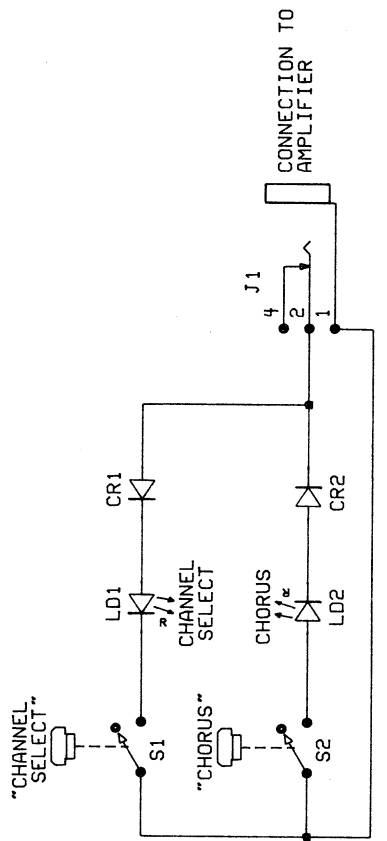
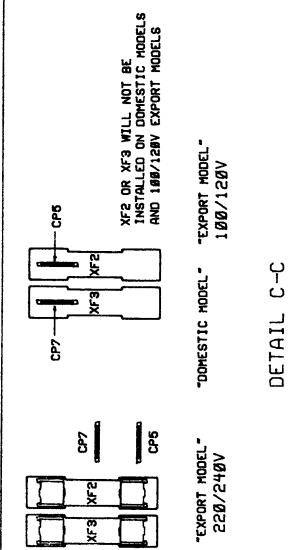
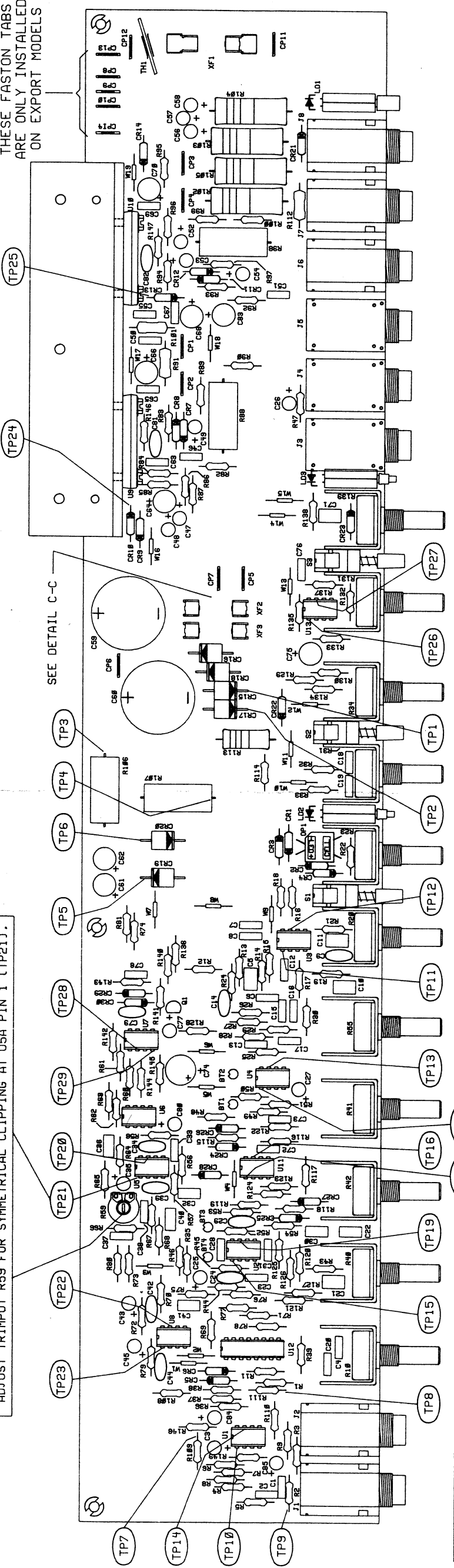
REVISIONS			
ZONE	REV. DESCRIPTION	DATE	APPROVED
	A RELEASED PR#82	7-22-88	B. Desi



CHORUS BIAS ADJUSTMENT:

TURN CHORUS SELECT SWITCH ON, RATE TO '10' AND DEPTH TO '0'.
CONNECT A 200 Hz SINE WAVE (AT ABOUT 2 VOLTS RMS) TO THE MONO EFFECTS LOOP RETURN JACK (J5).
ADJUST TRIMPOT R59 FOR SYMMETRICAL CLIPPING AT USA PIN 1 (TP21).

THESE FASTON TABS ARE ONLY INSTALLED ON EXPORT MODELS



FILM/DWG: SERVICE DIAGRAM

DATE: 10

LAYERS PLOTTED: 1 2 3 4

PROPRIETARY

THIS DRAWING DOCUMENT CONTAINS INFORMATION WHICH IS PROPRIETARY TO AND IS THE PROPERTY OF FENDER MUSICAL INSTRUMENTS CO. AND MAY NOT BE USED, REPRODUCED OR DISCLOSED IN ANY MANNER WITHOUT THE EXPRESSED WRITTEN CONSENT FROM: FENDER MUSICAL INSTRUMENTS CO., BREA, CALIFORNIA 92621

DATE: 7-27-88

APPROVED: B. Desi

CHECKED BY: B. Desi

DATABASE FILE: FFF04SER

TOLERANCES: UNLESS OTHERWISE SPECIFIED

X.X ±0.050°
X.XX ±0.010°
X.XXX ±0.005°
ANGLES ±0.500°

NEXT HIGHER ASSEMBLY: PRINCETON CHORUS

MUSICAL INSTRUMENTS
1130 Columbia Street
Brea, Ca. 92621

TITLE: SERVICE DIAGRAM FOR PRINCETON CHORUS

SIZE: B

DRAWN: B. DESI
ENGR: B. DESI

DRAWING NUMBER: 030995

REV. A

SCALE: DATE: 7-22-88 SHEET 1 OF 1