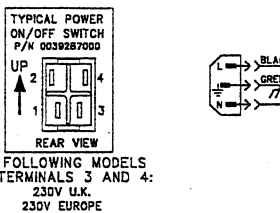
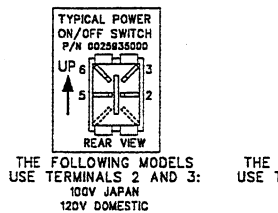
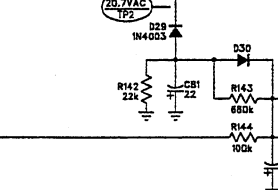
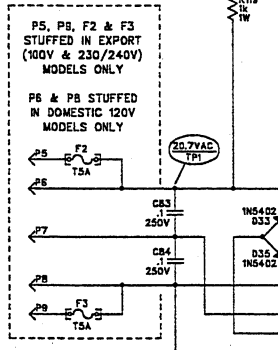
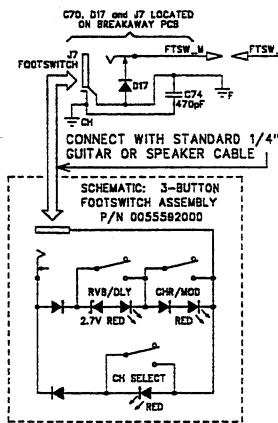
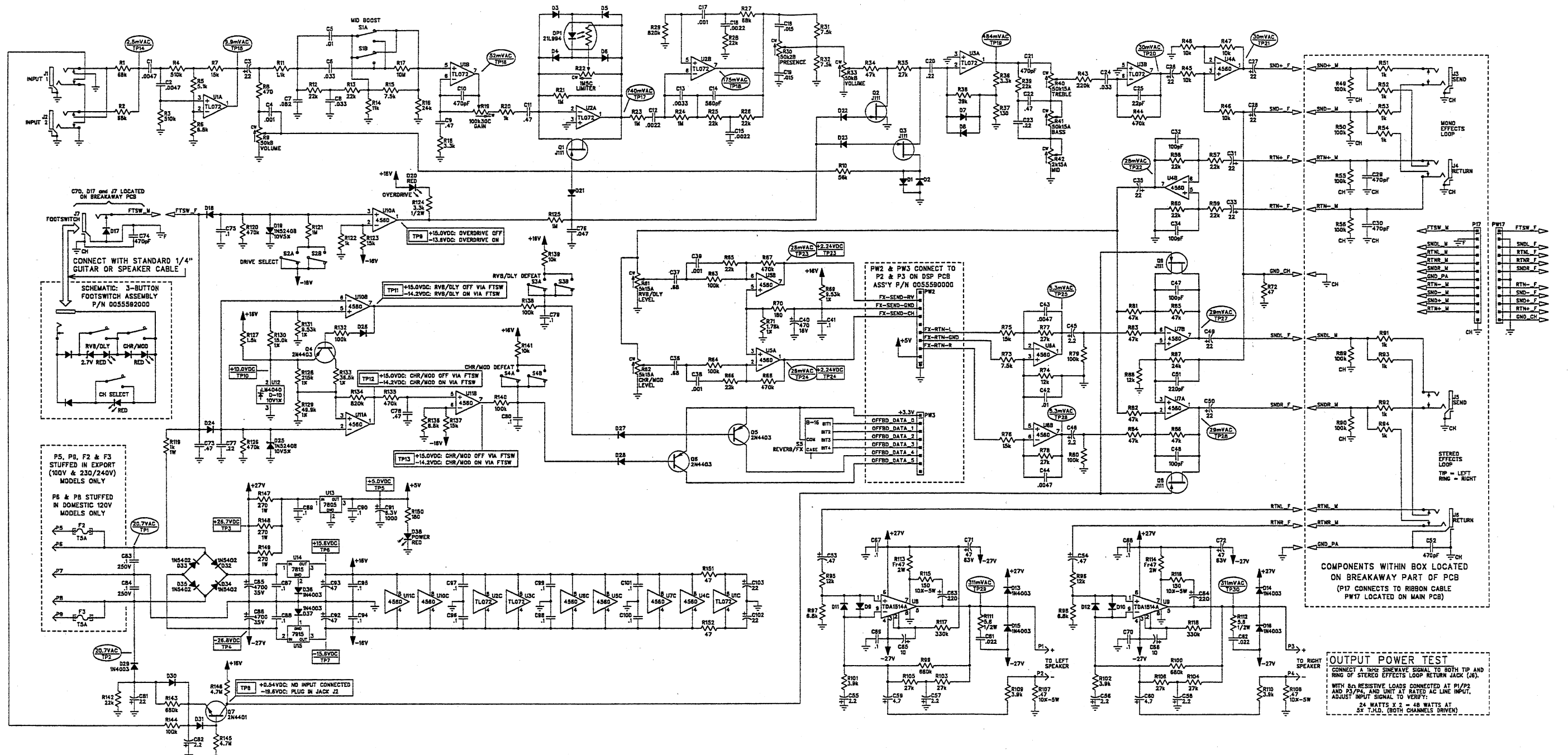
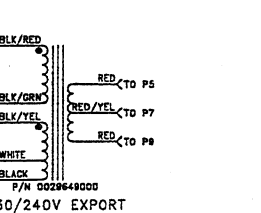
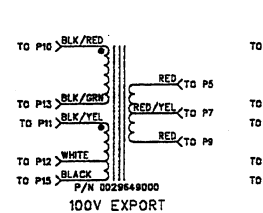
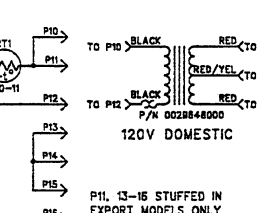


REVISIONS			
REV.	DESCRIPTION	DATE	APPROVED
A	PR424	31-MAR-99	R J D



MODELS:	F1 VALUE:
100-120V	F2A 250V
230-240V	T1A 250V



8. LAST REFERENCE DESIGNATORS: C184, D38, F3, J7, OPI, P17, Q9, R152, R1L, S5, TP30, U15, W2. (ALSO USED: PW2, PW3, PW17.)
7. TESTPOINT VOLTAGES TP14-30 READ TO GROUND WITH A DVM UNDER THE FOLLOWING CONDITIONS:
UNIT AT RATED LINE VOLTAGE
CABLE PW17 CONNECTED TO HEADER P17
CABLE PW2 CONNECTED TO P2 ON DSP PCB ASSEMBLY
P/N 005559000
8.0V SIN WAVE INPUT AT J2
8.0V RESISTIVE LOADS (2) CONNECTED AT P1-P4
NO FOOTSWITCH CONNECTED
NO BOOST SWITCH OUT
OVERDRIVE SELECT SWITCH IN
REVERB/FX DEFEAT AND CHORUS DEFEAT SWITCHES OUT
ALL ROTARY CONTROLS SET TO 12 O'CLOCK
DSP PCB ASSEMBLY IN LSPRACK TEST MODE
(REFER TO SCHEMATIC P/N 005559000 FOR TEST MODE)
6. TESTPOINT VOLTAGES TP1-13 READ TO GROUND WITH A DVM AND NO INPUT SIGNAL WITH UNIT AT RATED LINE VOLTAGE AND CABLE PW17 CONNECTED TO HEADER P17.
5. THIS SCHEMATIC IS FOR PCB FABRICATION P/N 0055578000 AND PCB ASSEMBLY P/N 0055580000 AND 005559000.
4. ALL DIMS ARE IN MILLIMETERS.
3. ALL POLARIZED CAPACITORS IN μ F, 20% 50V MINIMUM.
2. ALL UNPOLARIZED CAPACITORS IN μ F, 10% OR BETTER; 50V MINIMUM. (POWER SUPPLY BYPASS CAPACITORS ARE 20%.)
1. ALL RESISTORS IN OHMS, 5% 1/4W.
- NOTES: (UNLESS OTHERWISE NOTED)

OUTPUT POWER TEST
CONNECT A 1kHz SIN WAVE SIGNAL TO BOTH TIP AND RING OF STEREO EFFECTS LOOP RETURN JACK (J6).
WITH 8 Ω RESISTIVE LOADS CONNECTED AT P1/P2 AND P3/P4, AND UNIT AT RATED AC LINE INPUT, ADJUST INPUT SIGNAL TO VERIFY:
24 WATTS X 2 = 48 WATTS AT 5% T.H.D. (BOTH CHANNELS DRIVEN)

THIS DOCUMENT CONTAINS INFORMATION OF A PROPRIETARY NATURE TO FENDER MUSICAL INSTRUMENTS AND IS SUBMITTED TO YOU IN CONFIDENCE AND SHALL NOT BE DISCLOSED OR TRANSMITTED TO OTHERS WITHOUT AUTHORIZATION FROM FENDER MUSICAL INSTRUMENTS.

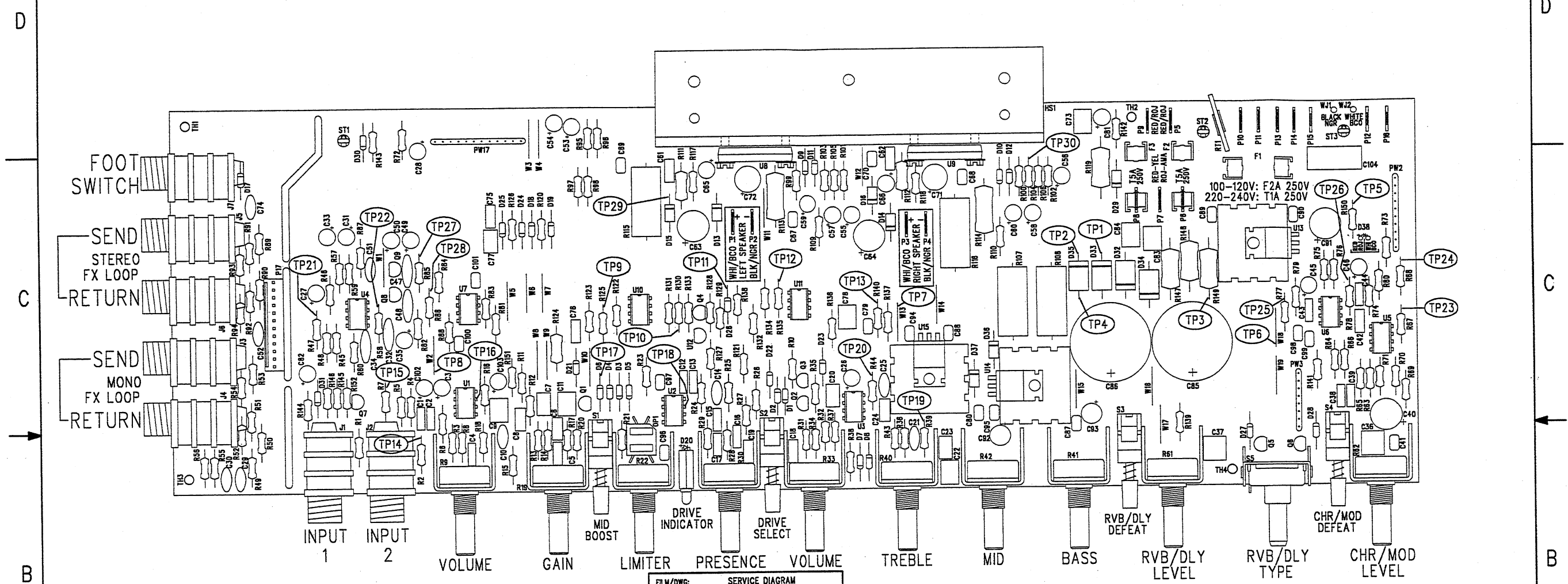
Fender MUSICAL INSTRUMENTS
2621 Research Drive
Corona, CA 91720 USA

CHECKED BY: *B.Pen*
DATE: 31-MAR-99
APPROVED BY: *[Signature]*
DATE: 31-MAR-99
DRAWN BY: DESI
ENGR: B. DESI
DATABASE FILE: 2424S.SCH

TITLE: SERVICE DIAGRAM, COMBINED (schematic)
PRINCETON CHORUS DSP
MAIN PCB

SIZE: D
DRAWING NUMBER: 0055578000
REV. 2
RELEASE DATE: 31-MAR-99
SHEET: 1 OF 2

REVISIONS			
REV.	DESCRIPTION	DATE	APPROVED
A	PR424	31-MAR-99	R J D



FILM/DWG: SERVICE DIAGRAM
 DATABASE: Z424P.PCB DATE: 31-MAR-99

2. DSP ASSEMBLY P/N 0055590000 MUST BE CONNECTED TO PW2 FOR SIGNAL TO APPEAR AT TP25 AND TP26.
 1. SEE SHEET 1 FOR PRIMARY WIRING, TEST CONDITIONS AND TESTPOINT VALUES.

NOTES: (UNLESS OTHERWISE NOTED)

THIS DOCUMENT CONTAINS INFORMATION OF A PROPRIETARY NATURE TO FENDER MUSICAL INSTRUMENTS AND IS SUBMITTED TO YOU IN CONFIDENCE AND SHALL NOT BE DISCLOSED OR TRANSMITTED TO OTHERS WITHOUT AUTHORIZATION FROM FENDER MUSICAL INSTRUMENTS.		MUSICAL INSTRUMENTS 2621 Research Drive Corona, CA 91720 USA	
CHECKED BY: <u>B. Desi</u>	DATE: <u>31-MAR-99</u>	TITLE: SERVICE DIAGRAM, COMBINED (PCB assy) PRINCETON CHORUS DSP MAIN PCB	
APPROVED BY: <u>[Signature]</u>	DATE: <u>31-MAR-99</u>	SIZE: <u>C</u>	DRAWING NUMBER: <u>0055578000</u>
DRAWN: B. DESI	ENGR: B. DESI	RELEASE DATE: 31-MAR-99	SHEET 2 OF 2
DATABASE FILE: Z424P.PCB			REV. <u>A</u>