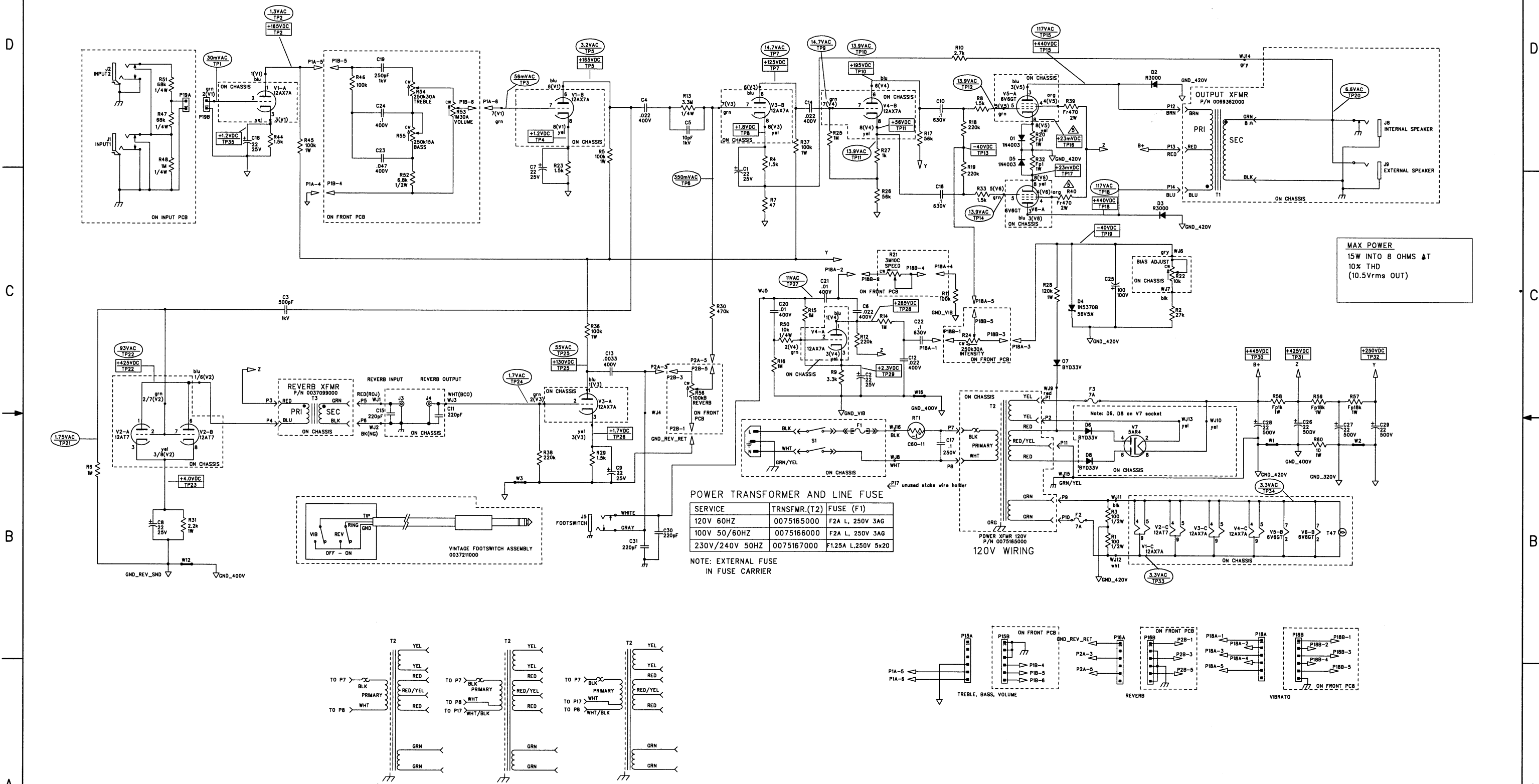
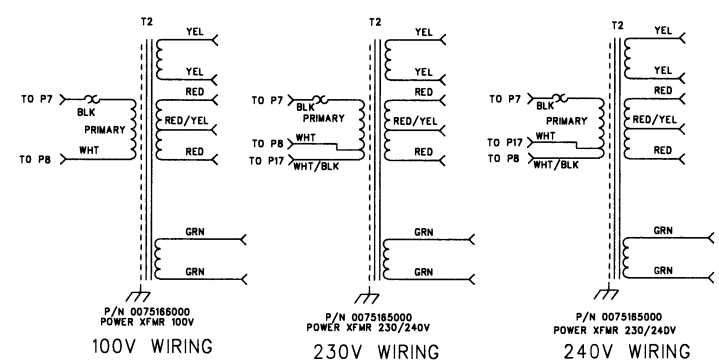


REVISIONS			
REV.	DESCRIPTION	DATE	APPROVED
A	PR770	10-OCT-07	H B K
B	EC3980	15-JAN-08	H B K
C	EC4002	10-MAR-08	H B K



MAX POWER
15W INTO 8 OHMS @
10% THD
(10.5Vrms OUT)



- NOT USED REFERENCE DESIGNATORS: R34, R35, R41, R42, R43, R49, R52
- LAST REFERENCE DESIGNATORS: R61, RT1, C31, D8, F3, J7, P18, TP43, V7, WJ15.
- AC AND DC VOLTAGES READ TO GROUND WITH A DVM UNDER THE FOLLOWING CONDITIONS:
UNIT: AT RATED LINE VOLTAGE
8 OHM RESISTIVE LOAD CONNECTED AT SPEAKER JACK
NO FOOTSWITCH CONNECTED
NO INPUT SIGNAL ON DC TESTS (TP = SQUARE BOXES).
ADDITIONAL NOTES FOR AC TESTS (TP = OVAL):
INPUT TO J1 SET TO 30mV SINE WAVE AT 1 KHZ.
REVERB CONTROL AT "0"
REVERB P/N 004063000 DISCONNECTED AND J3 AND J4 JUMPED.
VOL. BASS, TREBLE AT 5.5.
SPEED/INTENSITY AT 0, EXCEPT FOR TP35 TEST; SET AT 5.5.
- ALL TUBES IN CHASSIS MOUNTED SOCKETS.
- BIAS IS SET BY MEASURING VOLTAGE AT TP18 (WITH NO SIGNAL APPLIED & TUBES WARMED UP).
SET VOLTMETER TO mV RANGE, SET 5V6 BIAS CURRENT BY ADJUSTING BIAS CONTROL POT R22.
SPECIFIED VOLTAGE IS 23mV AT TP18.
VOLTAGE AT TP17 SHOULD BE WITHIN 20% OF TP18 VOLTAGE.
TYPICAL NEGATIVE BIAS VOLTAGE (WR TO CHS) IS -40VDC.
- THIS SCHEMATIC IS FOR PCB FABRICATION P/N 0075157000 AND PCB ASSEMBLY P/N 0075158000.
- ALL POLARIZED CAPACITORS IN uF, 20%; 50V MINIMUM.
- ALL UNPOLARIZED CAPACITORS IN uF, 10% OR BETTER; 50V MINIMUM. (POWER SUPPLY BYPASS CAPACITORS ARE 20%).
- ALL RESISTORS IN OHMS, 5%; 1/2W, UNLESS NOTED.

NOTES: (UNLESS OTHERWISE NOTED)

THIS DOCUMENT CONTAINS INFORMATION OF A PROPRIETARY NATURE TO FENDER MUSICAL INSTRUMENTS AND IS SUBMITTED TO YOU IN CONFIDENCE AND SHALL NOT BE DISCLOSED OR TRANSMITTED TO OTHERS WITHOUT AUTHORIZATION FROM FENDER MUSICAL INSTRUMENTS.

APPROVED BY: *H. Kaplan*
DATE: 3-10-2008

DRAWN: H. KAPLAN ENGR: H. KAPLAN
DATABASE FILE: 2770S.SCH

Fender MUSICAL INSTRUMENTS
Corona, CA U.S.A.

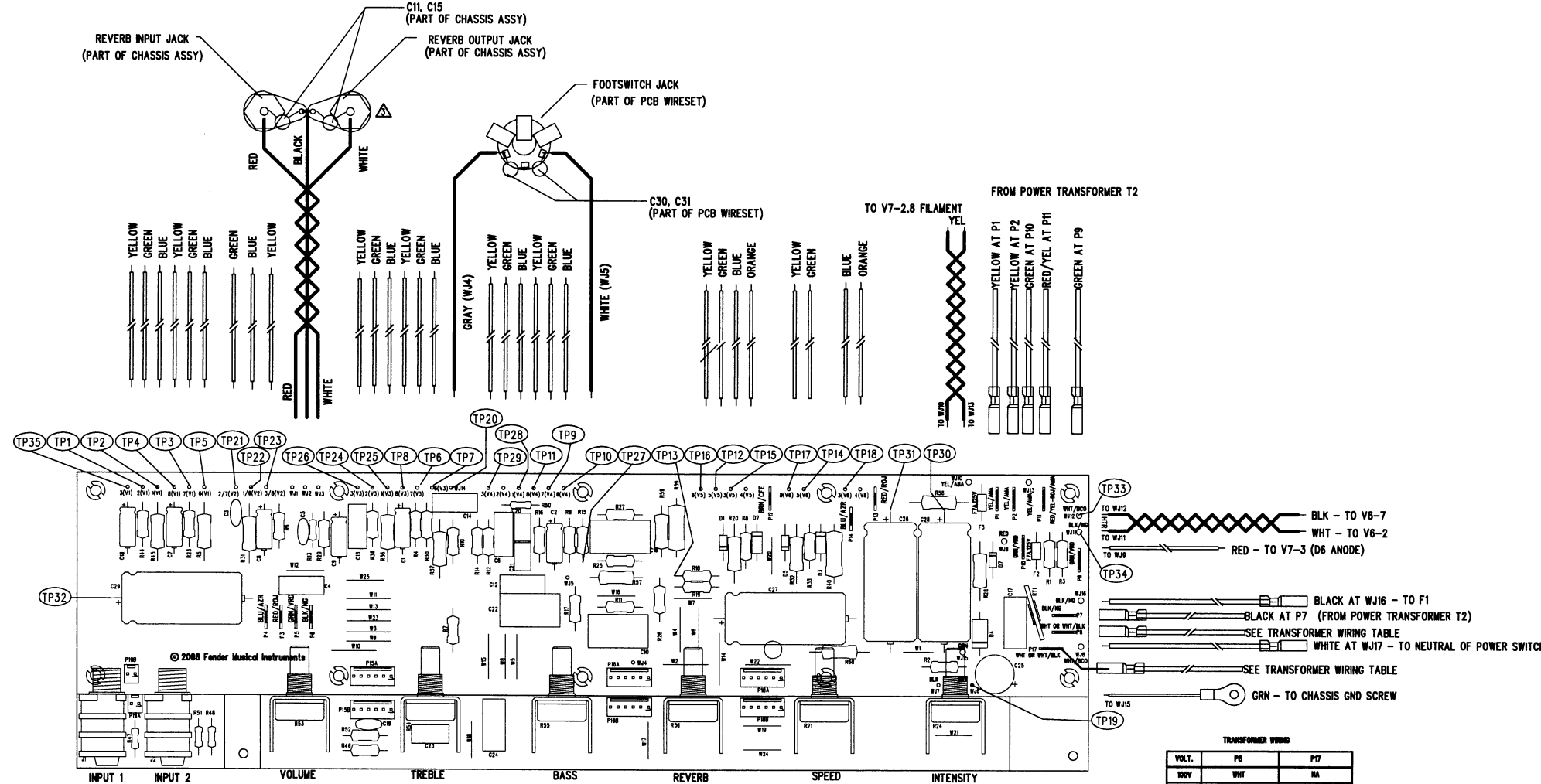
TITLE: SERVICE DIAGRAM, COMBINED (schematic)
PRINCETON '65 REVERB REISSUE

SIZE: DRAWING NUMBER
D 0075158000

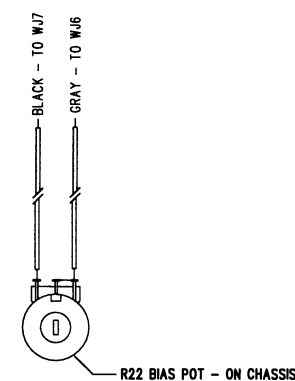
REV. C

RELEASE DATE: 30-NOV-07 SHEET: 1 OF 2

REVISIONS			
REV.	DESCRIPTION	DATE	APPROVED
A	PR770	10-OCT-07	H B K
B	EC3980	15-JAN-08	H B K
C	EC4002	10-MAR-08	H B K



FILM/DWG: SERVICE DIAGRAM
 DATABASE: Z770P.PCB DATE: 15-JAN-08



THIS DOCUMENT CONTAINS INFORMATION OF A PROPRIETARY NATURE TO FENDER MUSICAL INSTRUMENTS AND IS SUBMITTED TO YOU IN CONFIDENCE AND SHALL NOT BE DISCLOSED OR TRANSMITTED TO OTHERS WITHOUT AUTHORIZATION FROM FENDER MUSICAL INSTRUMENTS.

Fender MUSICAL INSTRUMENTS
 Corona, CA U.S.A.

CHECKED BY: *M. Hill*
 DATE: 2-10-2008

APPROVED BY: *H. Kaplan*
 DATE: 3-10-2008

DRAWN: PK CORBIN ENGR: H. KAPLAN
 DATABASE FILE: Z770P.PCB

TITLE: SERVICE DIAGRAM, COMBINED (PCB assy)
 PRINCETON '65 REVERB AMPLIFIER

SIZE: D DRAWING NUMBER: 0075158000 REV: C
 RELEASE DATE: 10-OCT-07 SHEET 2 OF 2

1. SEE SHEET 1 FOR PRIMARY WIRING, TEST CONDITIONS AND TEST POINT VALUES.
 NOTES: (UNLESS OTHERWISE NOTED)