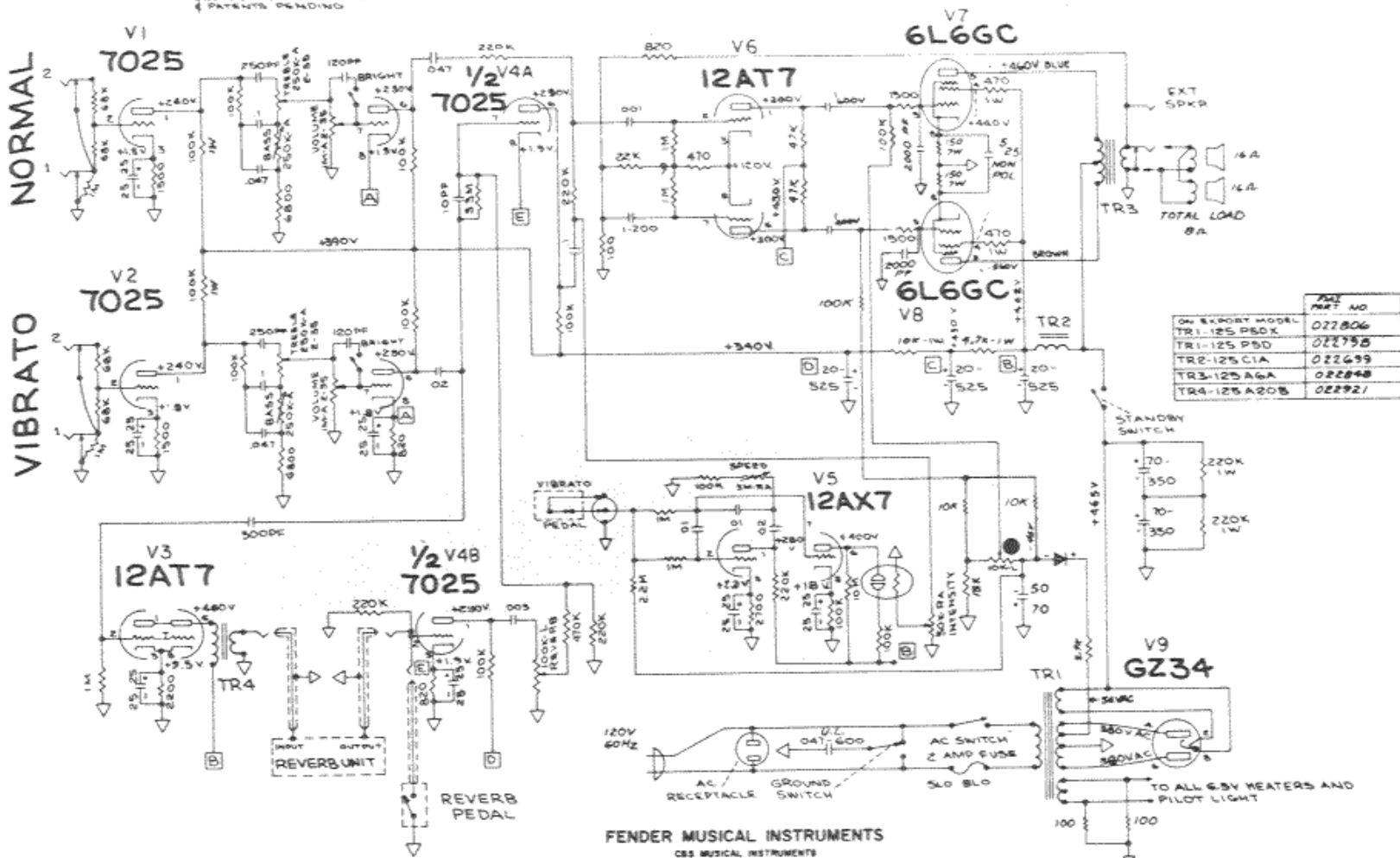


FENDER "PRO-REVERB-AMP AB668" SCHEMATIC MODEL

NOTICE

THIS PRODUCT MANUFACTURED UNDER ONE OR MORE OF THE FOLLOWING U.S. PATENTS -
 CIRCUIT PATENT # 2811708 # 2973461
 DESIGN PATENT # 192859
 PATENTS PENDING

1 VOLTAGES READ TO GROUND WITH HELP 150VDC
 2 VOLTAGE VALUES SHOWN * OR - 20% VARIATION FROM GND
 3 ALL RESISTORS 1/2 WATT 10% TOLERANCE IF NOT SPECIFIED
 4 ALL CAPACITORS AT LEAST 400 VOLT RATING IF NOT SPECIFIED



ON EXPORT MODEL	FML PART NO
TR1-125 D80K	022806
TR1-125 P50	022755
TR2-125 C1A	022699
TR3-125 A6A	022848
TR4-125 A20B	022921

FENDER MUSICAL INSTRUMENTS
 CBS MUSICAL INSTRUMENTS
 A DIVISION OF COLUMBIA BROADCASTING SYSTEMS INC.
 SANTA ANA, CALIFORNIA
 U.S.A.

OWN	CHK	APPD	APPD	APPD	APPROVAL -	REL NO	REV	DWG NO	REV
						480	D	047753	B
					SCALE	MODEL	PRO. FILE NO.	DATE	SHEET / OF 2