

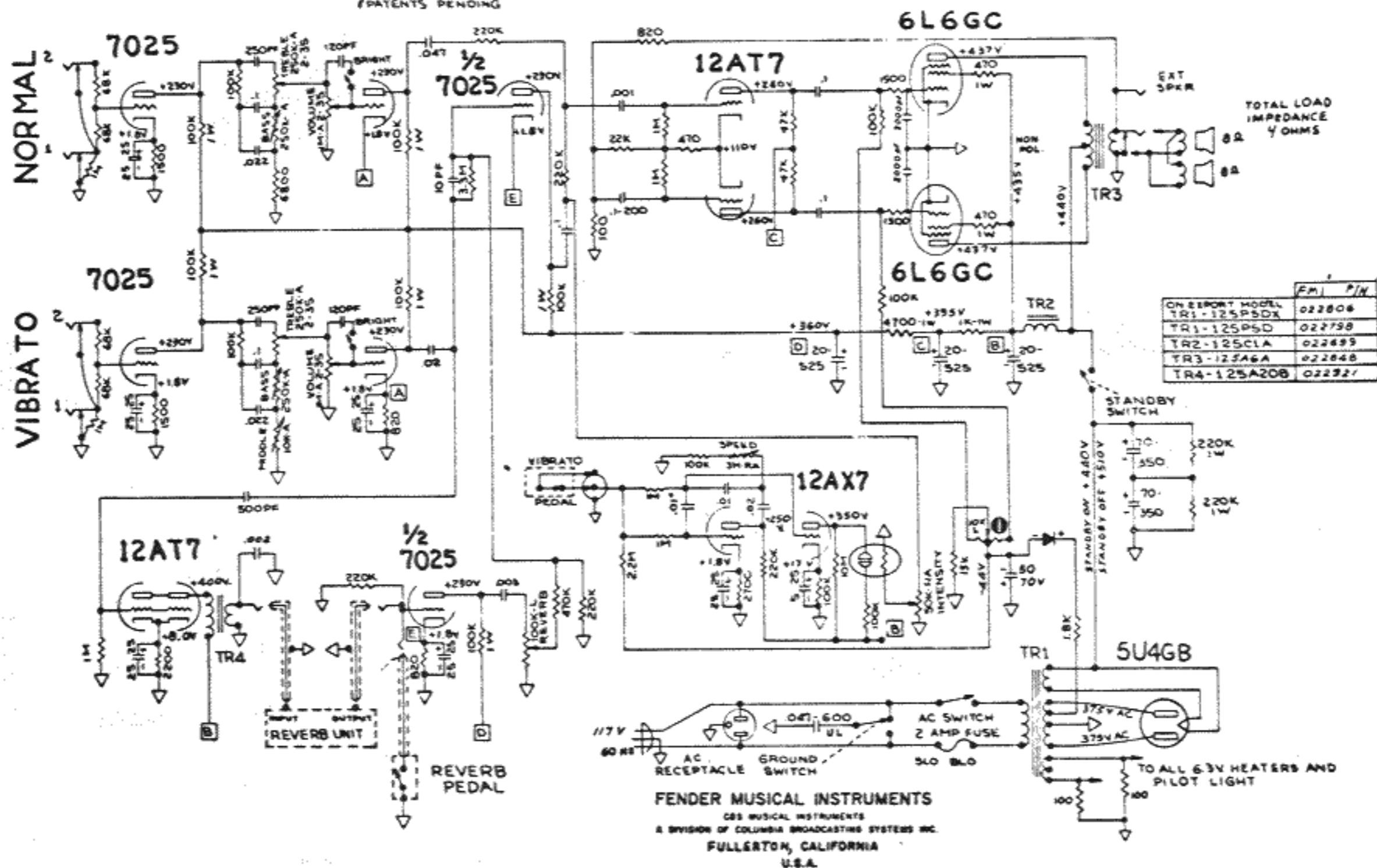
# FENDER MODEL

# PRO REVERB-AMP AA1009 SCHEMATIC

# NOTICE

THIS PRODUCT MANUFACTURED UNDER ONE OR MORE OF THE FOLLOWING U.S. PATENTS: CIRCUIT PATENT #2817708, #2973481 DESIGN PATENT # 192859 PATENTS PENDING

1. VOLTAGE READ WITH ELECTRONIC VOLTMETER
2. ALL RESISTORS 1/2 WATT 10% TOLERANCE IF NOT SPECIFIED
3. ALL CAPACITORS AT LEAST 400 VOLT RATING IF NOT SPECIFIED
4. ALL VOLTAGES READ WITH VIBRATO PEDAL GROUNDING AND NO INPUT SIGNAL



ON REPORT MODEL	F.M.I. P/N
TR1-125P50X	022808
TR1-125P50	022798
TR2-125C1A	022699
TR3-125A6A	022648
TR4-125A20B	022221

FENDER MUSICAL INSTRUMENTS  
 CBS MUSICAL INSTRUMENTS  
 A DIVISION OF COLUMBIA BROADCASTING SYSTEMS INC.  
 FULLERTON, CALIFORNIA  
 U.S.A.