

FENDER MODEL

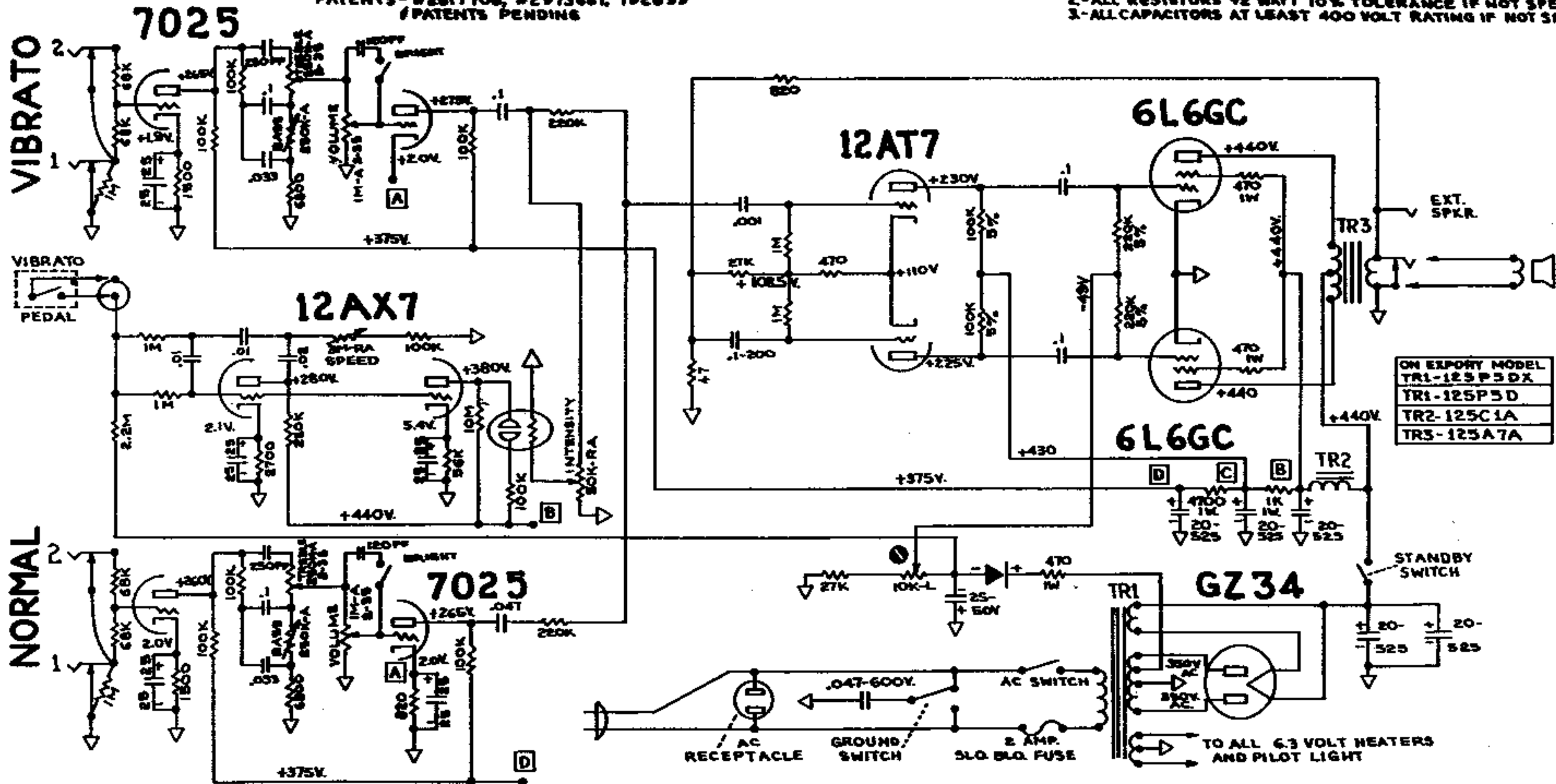
"PRO-AMP AA763" SCHEMATIC

NOTICE

THIS PRODUCT MANUFACTURED UNDER ONE OR MORE OF THE FOLLOWING U.S. PATENTS - #2817708, #2973681, 192859 (PATENTS PENDING)

L-FC

- 1-VOLTAGES READ TO GROUND WITH ELECTRONIC VOLTMETER, VALUES SHOWN + OR - 20%
- 2-ALL RESISTORS 1/2 WATT 10% TOLERANCE IF NOT SPECIFIED.
- 3-ALL CAPACITORS AT LEAST 400 VOLT RATING IF NOT SPECIFIED.



FENDER ELECTRIC INSTRUMENT COMPANY
FULLERTON, CALIFORNIA