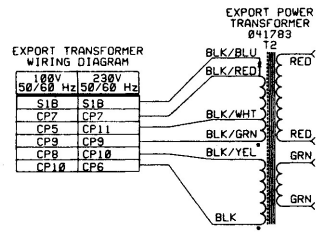
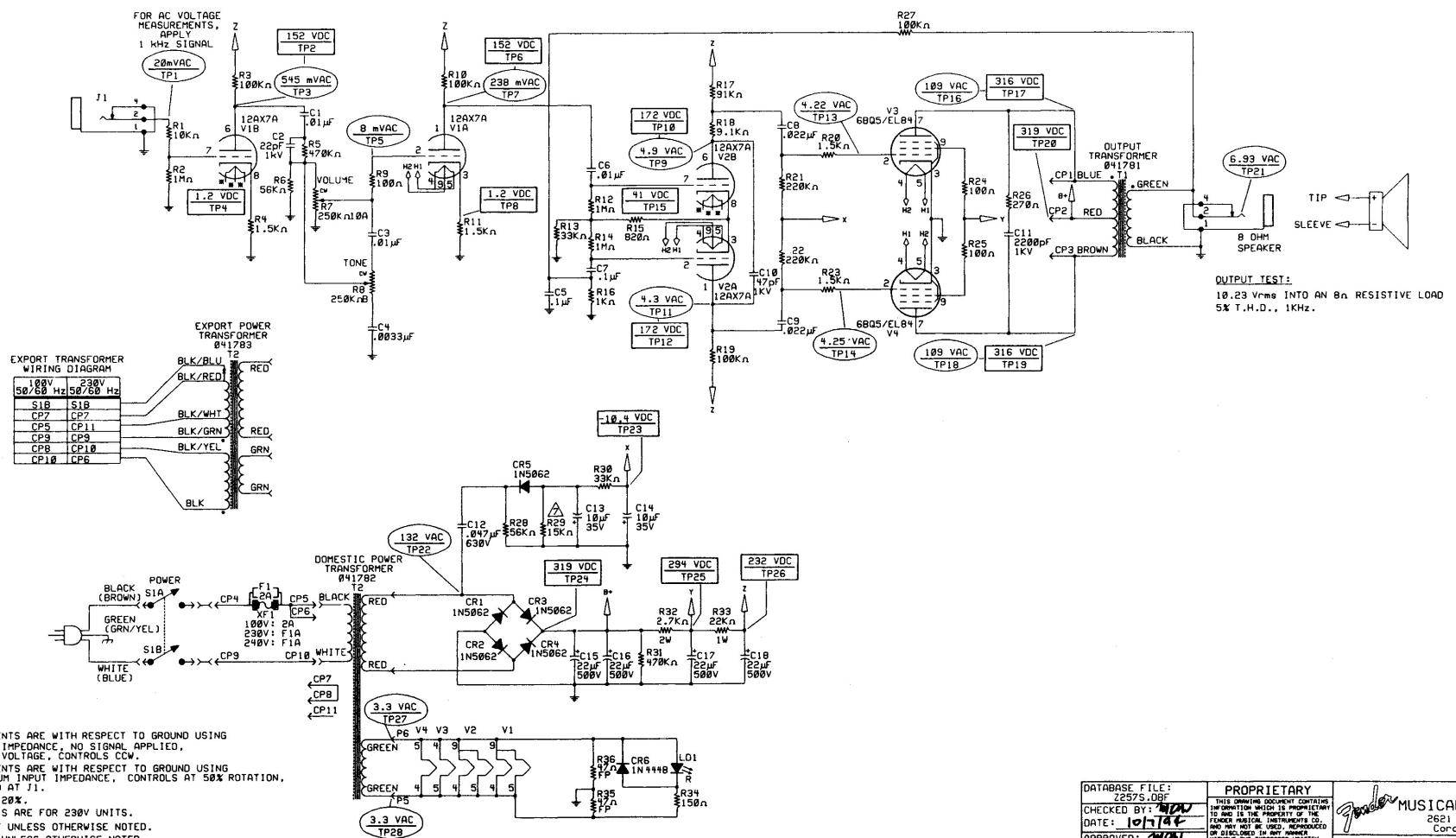


REVISIONS				
ZONE	REV.	DESCRIPTION	DATE	APPROVED
	A	PR257 RELEASE	9/21/93	JSS
	B	EC 1093	10/21/93	JSS
	C	ECO L02942	10/7/94	MDW



- NOTES:
- DC VOLTAGE MEASUREMENTS ARE WITH RESPECT TO GROUND USING A 0VW OF 10MΩ INPUT IMPEDANCE. NO SIGNAL APPLIED. 120 VAC, 60 Hz LINE VOLTAGE. CONTROLS CCW.
 - AC VOLTAGE MEASUREMENTS ARE WITH RESPECT TO GROUND USING A 0VW OF 1 MΩ MINIMUM INPUT IMPEDANCE. CONTROLS AT 50% ROTATION. 1 kHz SIGNAL APPLIED AT J1.
 - VOLTAGES MAY VARY ± 20%.
 - COLORS IN PARENTHESIS ARE FOR 230V UNITS.
 - ALL RESISTORS 1/2 WATT UNLESS OTHERWISE NOTED.
 - ALL CAPACITORS 400V UNLESS OTHERWISE NOTED.
- ⚠ R29 IS 18kΩ (FENDER P/N 048903) IN ALL EXPORT UNITS FOR 50Hz OPERATION.

DATABASE FILE: 2575.DBF	PROPRIETARY	MUSICAL INSTRUMENTS 2621 Research Drive Corona, CA 91720
CHECKED BY: <i>MDW</i> DATE: <i>10/7/94</i>	THIS DRAWING DOCUMENT CONTAINS INFORMATION WHICH IS PROPRIETARY TO AND IS THE PROPERTY OF THE FENDER MUSICAL INSTRUMENTS CO. ANY REUSE, REPRODUCTION OR DISCLOSURE IN ANY MANNER WITHOUT THE EXPRESSED WRITTEN CONSENT FROM FENDER MUSICAL INSTRUMENTS CO. IS STRICTLY PROHIBITED.	
APPROVED: <i>MDW</i> DATE: <i>10/7/94</i>	TITLE: SCHEMATIC DIAGRAM PRO JUNIOR	SIZE: D DRAWN: J S SAMS ENGR: J S SAMS
TOLERANCES: UNLESS OTHERWISE SPECIFIED X.X ±0.050" X.XX ±0.010" X.XXX ±0.005" ANGLES ±0.500°	NEXT HIGHER ASSEMBLY:	DRAWING NUMBER: 047420 REV. C
SCALE: NONE		CREATED: 05-OCT-94 PLOTTED: 05-OCT-94 SHEET 1 OF 1

0047421000