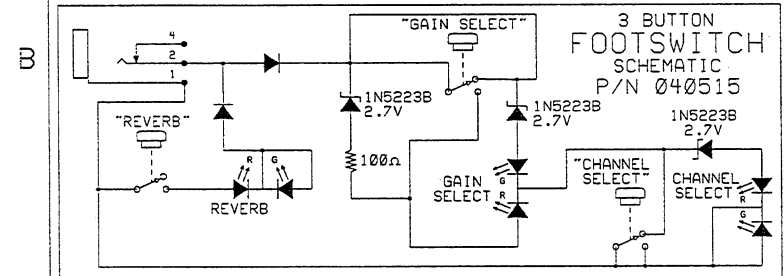


REVISIONS				
ZONE	REV.	DESCRIPTION	DATE	APPROVED
	E	EC 964	26-MAR-93	
	F	EC 989	04-MAY-93	
	G	EC 1117	15-FEB-94	SCH
	H	EC 1610	27-NOV-95	MC
	J	EC 2027	31-OCT-97	MDW



NOTES: UNLESS OTHERWISE SPECIFIED.

1. ALL RESISTORS 1/4W, 5%.
2. ALL CAPACITORS 35V MINIMUM.
3. ALL DIODES 1N4448.
4. ALL TRANSISTORS J111.
5. ALL ZENER DIODES 5%, 1/2W.
6. DC VOLTAGES READ TO GROUND WITH A DVM, NO INPUT SIGNAL.
7. AC VOLTAGE READINGS TAKEN WITH A DVM TO GROUND UNDER THE FOLLOWING CONDITIONS:
 1kHz INPUT
 8Ω RESISTIVE LOAD CONNECTED FROM CP1 TO CP2 WITH P5 GROUNDED
 NO FOOTSWITCH
 MIDSHIFT "OFF"
 GAIN SELECT "ON"
 CHANNEL SELECT "ON"
 LEVEL SWITCH AT -7dB
 GAIN 1 AT "3", GAIN 2 AT "3"
 REVERB AT "1"
 EFFECTS MIX AT "1"
 ALL OTHER CONTROLS SET TO "5"
 PATCH CORD FROM J2(SEND) TO J3(RETURN)

OUTPUT TEST:
 94 WATTS RMS AT 5% THD
 1KHZ INTO 4 OHMS
 69 WATTS RMS AT 5% THD
 1KHZ INTO 8 OHMS

DATABASE FILE: TSS.DBF
 CHECKED BY: [Signature]
 DATE: 11/13/97
 APPROVED: [Signature]
 DATE: 11/13/97

TOLERANCES: UNLESS OTHERWISE NOTED
 X.X ±0.050"
 X.XX ±0.010"
 X.XXX ±0.005"
 ANGLES ±0.500°

PROPRIETARY
 THIS DRAWING DOCUMENT CONTAINS INFORMATION WHICH IS PROPRIETARY TO AND IS THE PROPERTY OF THE FENDER MUSICAL INSTRUMENTS CO. AND MAY NOT BE USED, REPRODUCED OR DISCLOSED IN ANY MANNER WITHOUT THE EXPRESSED WRITTEN CONSENT FROM:

FENDER MUSICAL INSTRUMENTS CO.
 REGIONAL HEADQUARTERS
 2621 RESEARCH DRIVE
 CORONA, CA 91728 USA

FENDER MUSICAL INSTRUMENTS
 2621 Research Drive
 Corona, CA 91728 USA

TITLE: SCHEMATIC DIAGRAM
 ROC PRO 1000

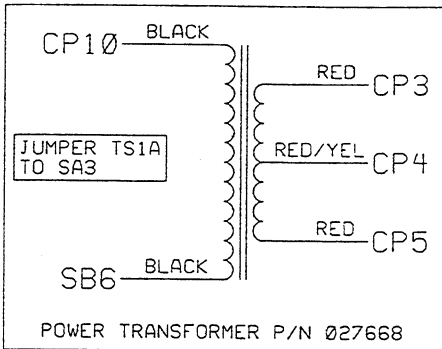
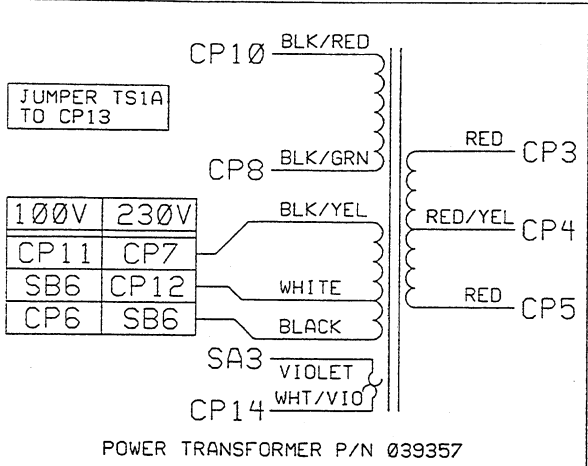
SIZE: D
 DRAWN: SCOTT H.
 ENGR: SCOTT H.
 DRAWING NUMBER: 040262 J
 REV. J

SCALE: N/A
 PLOTTED: 03-NOV-97
 SHEET 1 OF 1

8 7 6 5 4 3 2 1

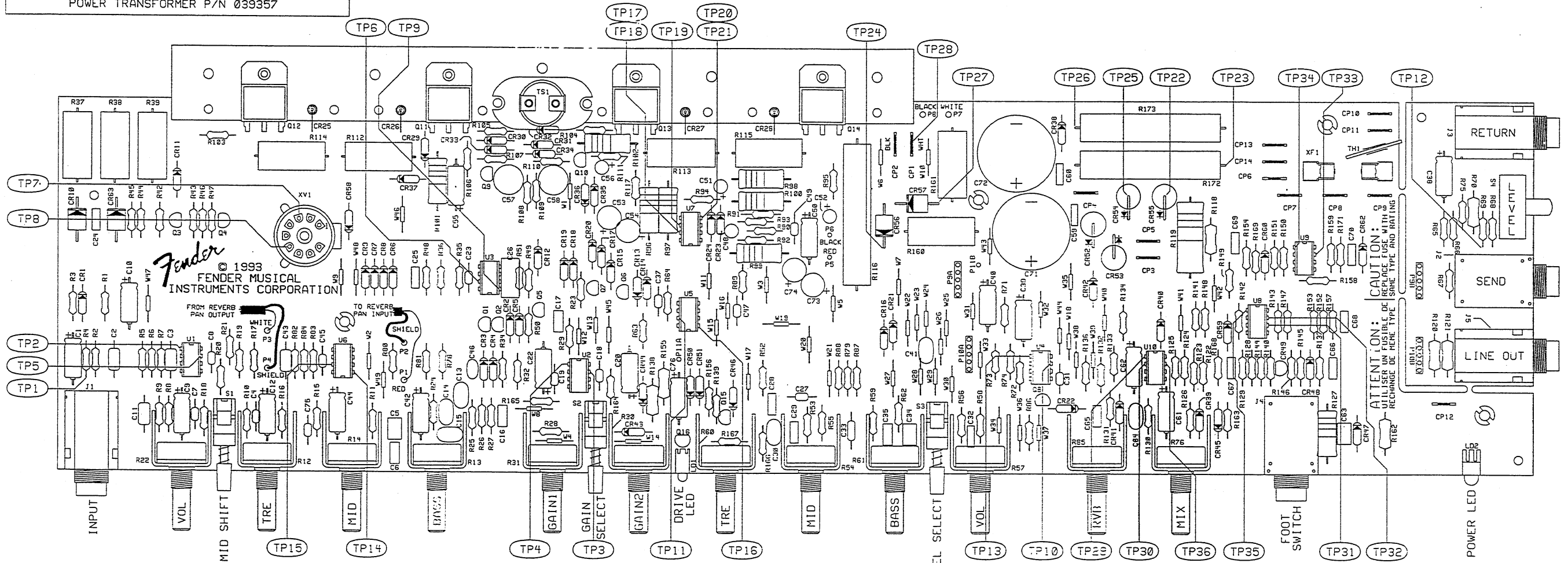
EXPORT MODELS

DOMESTIC MODEL



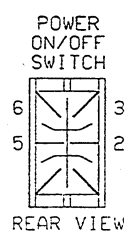
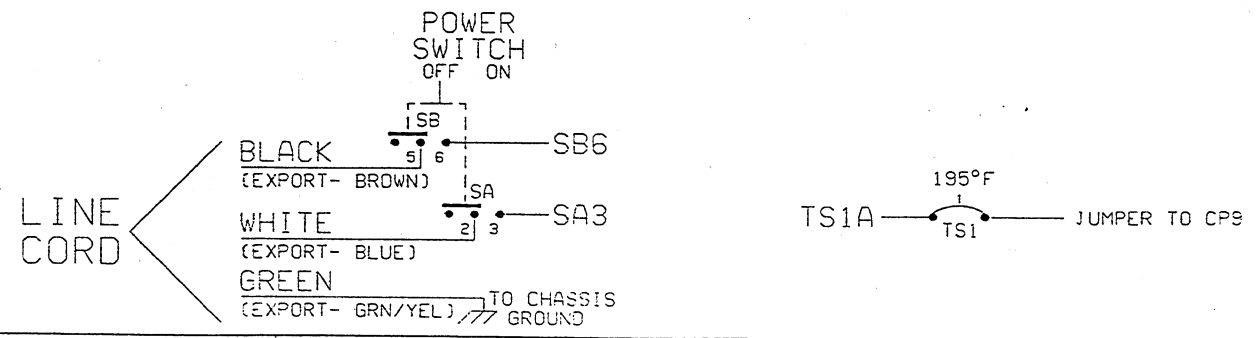
FILM/DWG: SERVICE DIAGRAM
 DATABASE: TSPSER.DBF DATE: 06-FEB-93
 LAYERS PLOTTED: 1 2 3 4 10
 15 19

REVISIONS				
ZONE	REV.	DESCRIPTION	DATE	APPROVED
	A	PR 315	12-OCT-95	
	B	EC 1610	27-NOV-95	MC
	C	EC 2027	31-OCT-97	MDW



Fender
 © 1993
 FENDER MUSICAL INSTRUMENTS CORPORATION

CAUTION: UTILISER UN FUSIBLE DE REMPLACEMENT DE MÊME TYPE ET DE MÊME RATING.
 ATTENTION: RECHARGE DE MÊME TYPE ET DE MÊME RATING.



DATABASE FILE: TSPSER.DBF
 CHECKED BY: [Signature]
 DATE: 11/13/97
 APPROVED: [Signature]
 DATE: 11/13/97
 TOLERANCES: UNLESS OTHERWISE SPECIFIED
 X.X = ±.25"
 X.XX = ±.02"
 X.XXX = ±.0025"
 ANGLES = ±.020°

PROPRIETARY
 THIS DRAWING DOCUMENT CONTAINS INFORMATION WHICH IS PROPRIETARY TO AND IS THE PROPERTY OF THE FENDER MUSICAL INSTRUMENTS CO. AND MAY NOT BE USED, REPRODUCED OR DISCLOSED IN ANY MANNER WITHOUT THE EXPRESSED WRITTEN CONSENT FROM:
 FENDER MUSICAL INSTR. CORP.
 REGIONAL HEADQUARTERS
 2621 RESEARCH DRIVE
 CORONA, CA 91270
 ROCK ON. MDS

Fender MUSICAL INSTRUMENTS
 2621 Research Drive
 Corona, CA 91270
 TITLE: SERVICE DIAGRAM
 RUC PRO 1000
 SIZE: D DRAWN: SCOTT H. DRAWING NUMBER: 050339 REV. C
 ENGR: SCOTT H.
 CREATED: 22-JAN-93
 PLOTTED: 22-NOV-95
 SCALE: N/A SHEET 1 OF 1

8 7 6 5 4 3 2 1