

FENDER MODEL

"SHOWMAN-AMP AA763" SCHEMATIC P/B

NOTICE

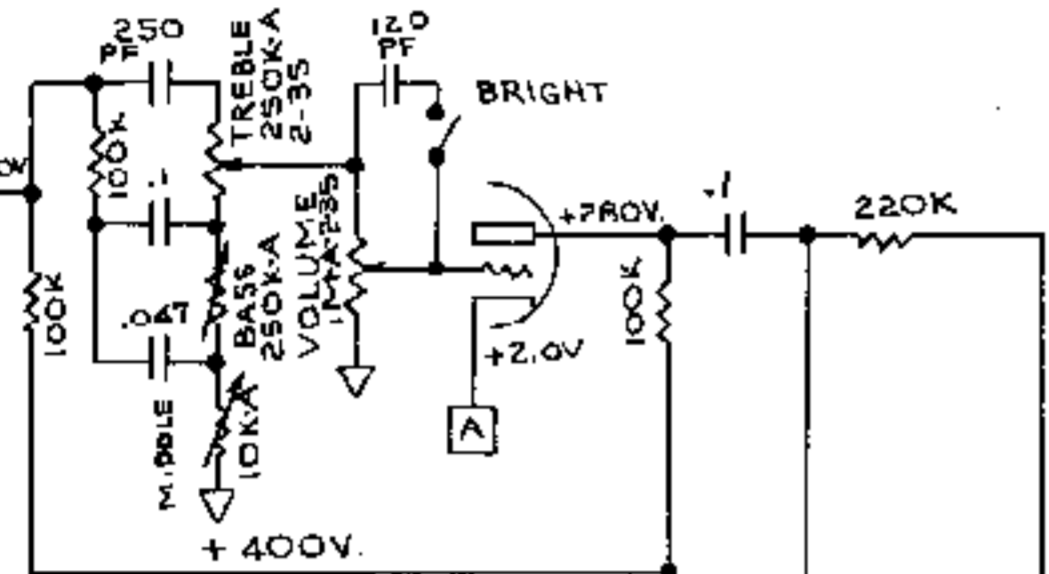
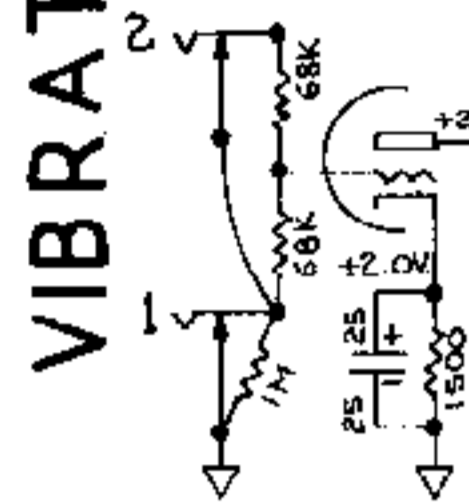
THIS PRODUCT MANUFACTURED UNDER ONE OR MORE OF THE FOLLOWING U.S. PATENTS-
#2817708, #2973681, 192859 PATENTS PENDING

1-VOLTAGES READ TO GROUND WITH ELECTRONIC VOLTMETER. VALUES SHOWN \pm OR $- 20\%$
2-ALL RESISTORS $\frac{1}{2}$ WATT 10% TOLERANCE IF NOT SPECIFIED.
3-ALL CAPACITORS AT LEAST 400 VOLT RATING IF NOT SPECIFIED.

A-FD

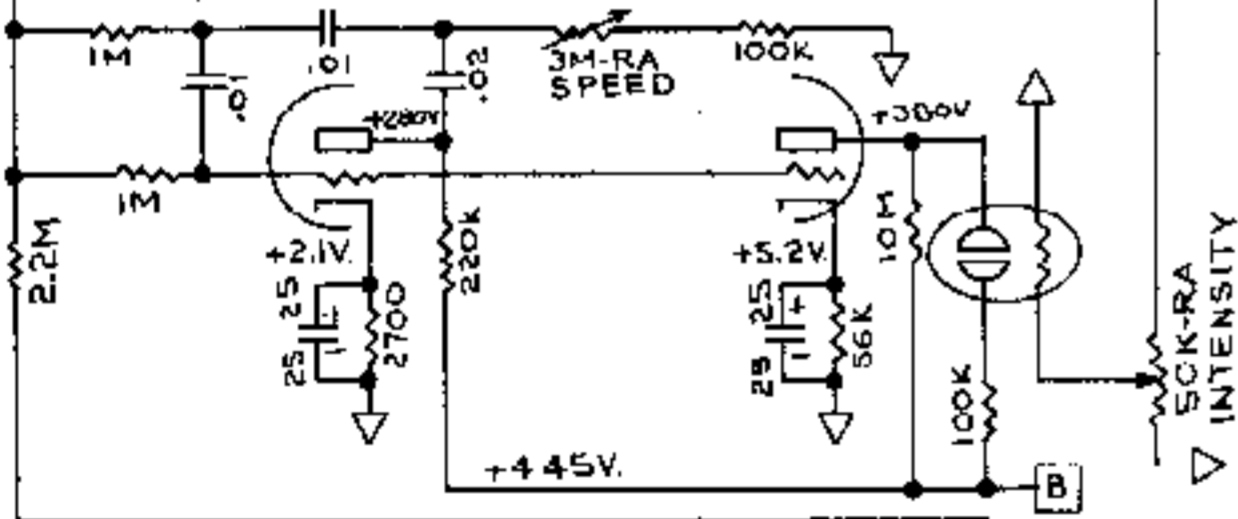
VIBRATO

7025



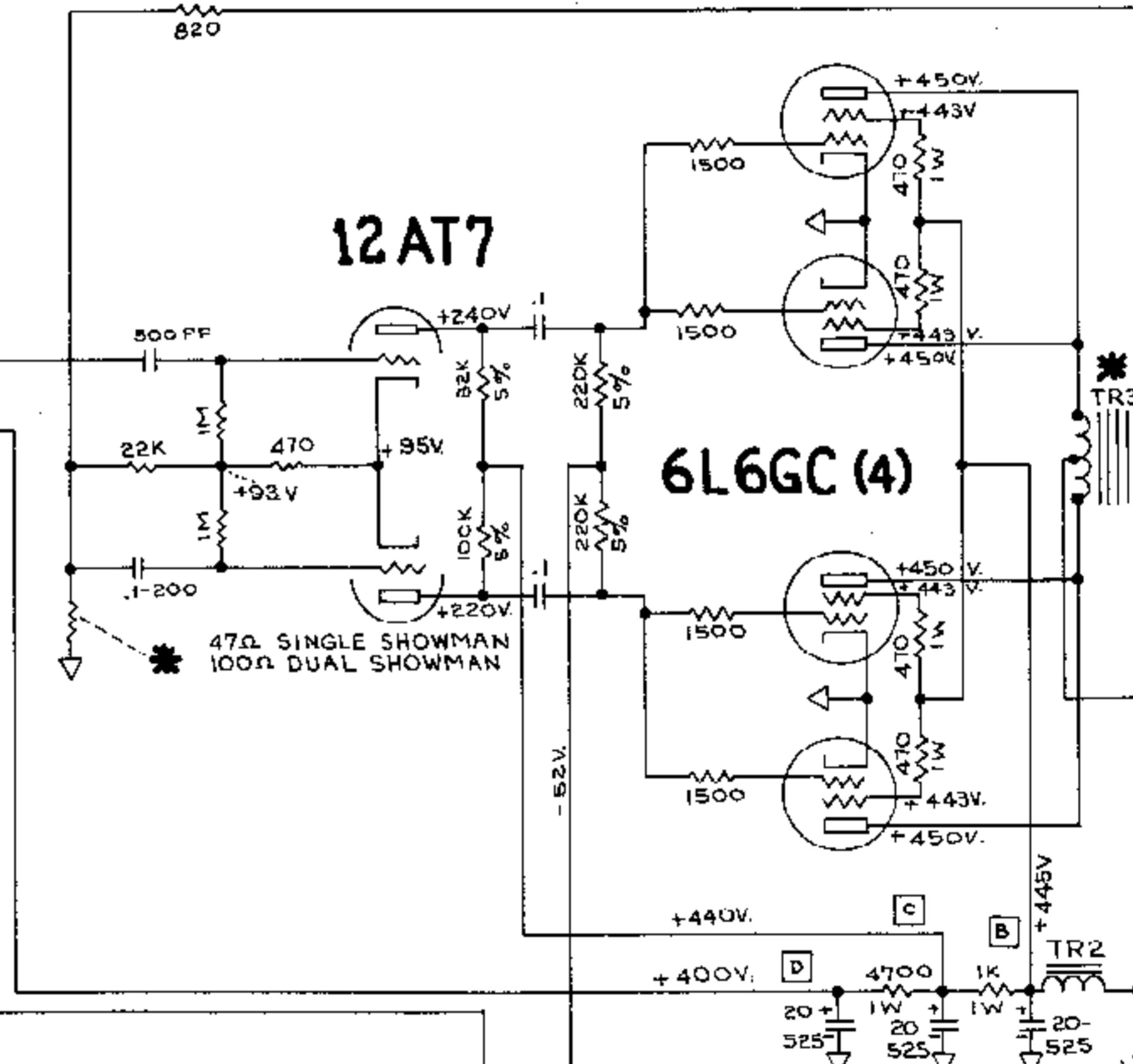
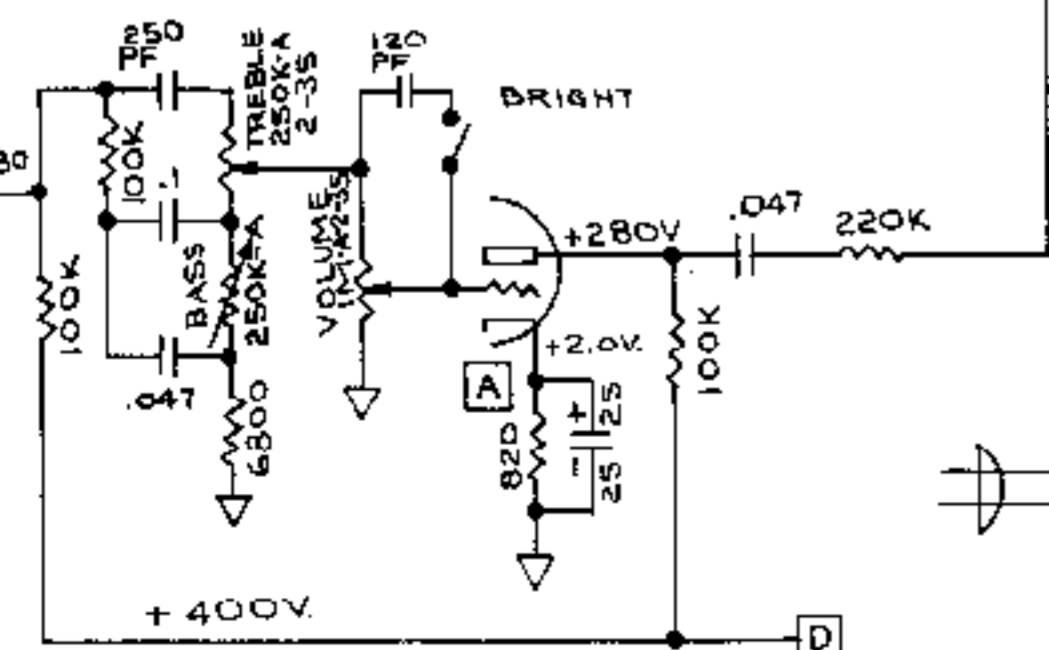
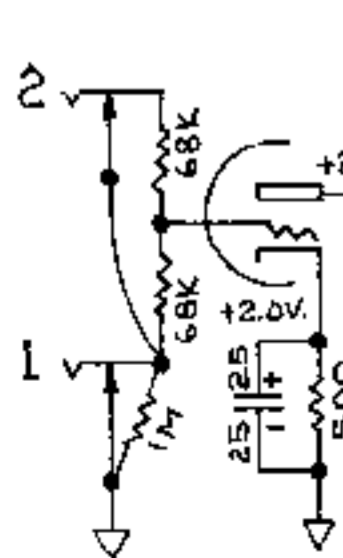
VIBRATO PEDAL

12AX7



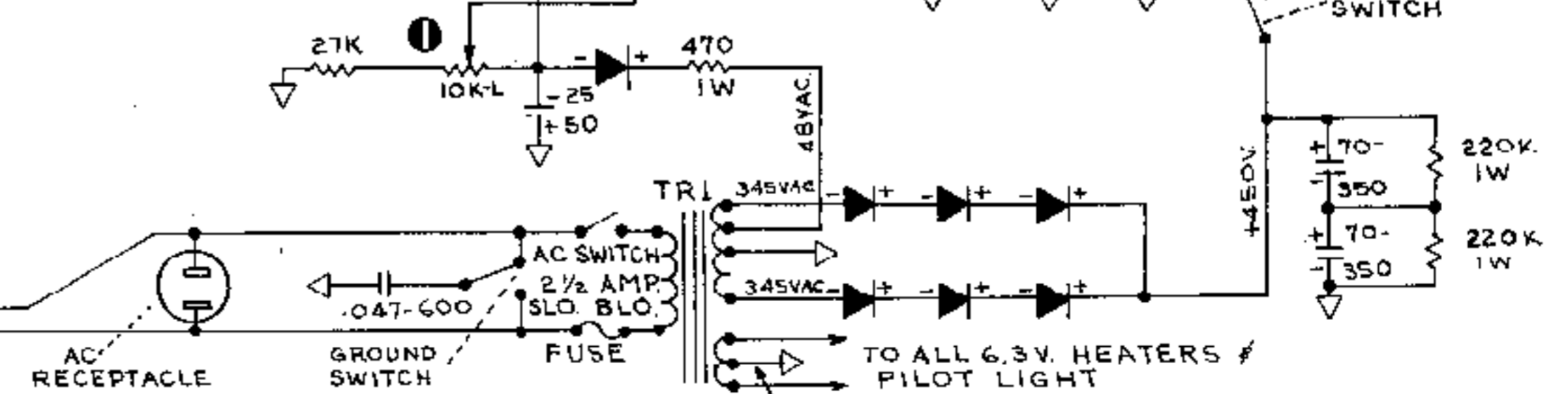
NORMAL

7025



DUAL (2 SPKR) SHOWMAN ONLY
ON EXPORT MODEL
TR1-125P34AX
TR2-125C1A
TR3-125A29A

SINGLE SHOWMAN ONLY
ON EXPORT MODELS
TR1-125P34A
TR2-125C1A
TR3-125A30A



FENDER ELECTRIC INSTRUMENT COMPANY
FULLERTON, CALIFORNIA

INTERNALLY GROUNDING

FENDER "SHOWMAN-AMP AA763" LAYOUT

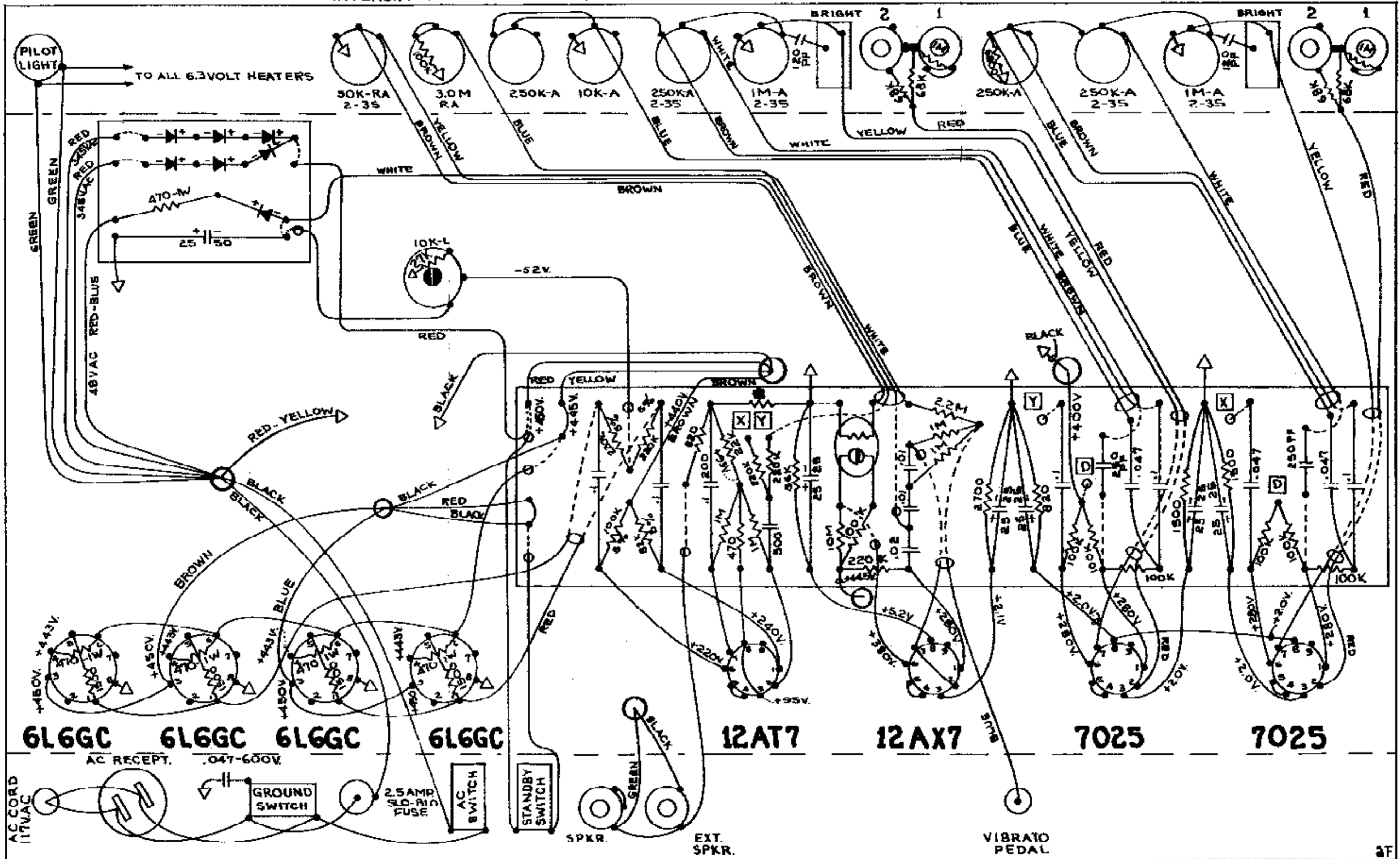
P/B

NOTICE

VOLTAGES READ TO GROUND WITH ELECTRONIC VOLTMETER VALUES SHOWN +OR -20%

A-FD

INTENSITY SPEED BASS MIDDLE TREBLE VOLUME VIBRATO BASS TREBLE VOLUME NORMAL



NOTE: ALL RESISTORS 1/2 WATT 10% TOLERANCE IF NOT SPECIFIED. NOTE: ALL CAPACITORS AT LEAST 400 VOLT RATING IF NOT SPECIFIED.

FENDER ELECTRIC INSTRUMENT COMPANY
FULLERTON, CALIFORNIA