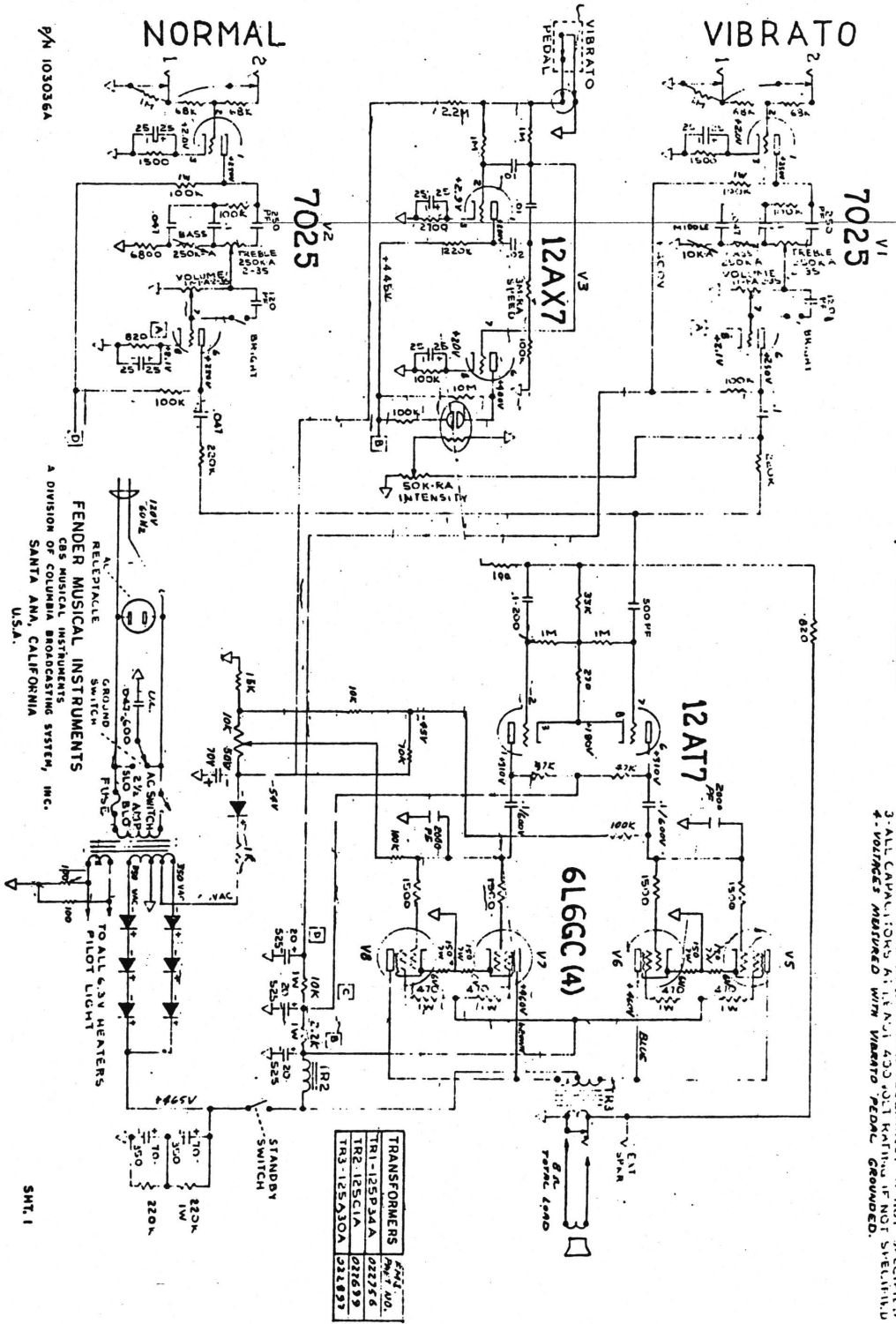


# FENDER SINGLE SHOWMAN-AMP AB568 SCHEMATIC MODEL

## NOTICE

THIS PRODUCT MANUFACTURED UNDER ONE OR MORE OF THE FOLLOWING U.S. PATENTS: # 2817709, # 2974661, 194859 / PATENT'S PENDING

1. ALL POINTS NEAR TO GROUND WITH V-700M.
2. ALL RESISTORS TO BE 5% TOLERANCE IF NOT SPECIFIED.
3. ALL CAPACITORS AT LEAST 400 VOLTS RATING IF NOT SPECIFIED.
4. VOLTAGES MEASURED WITH VIBRATO PEDAL GROUNDING.



9/A 103036A

FENDER MUSICAL INSTRUMENTS  
A DIVISION OF COLUMBA ENGINEERING SYSTEM, INC.  
SANTA ANA, CALIFORNIA  
U.S.A.

SMT. 1

DWG. TITLE	
SCHEMATIC AND WIRING DIAGRAM - SINGLE SHOWMAN AMP - AB568	
REV. 0	DWG. NO. 103036
SCALE 1/10	MODEL TR1-125P34A
SHEET 1 OF 2	