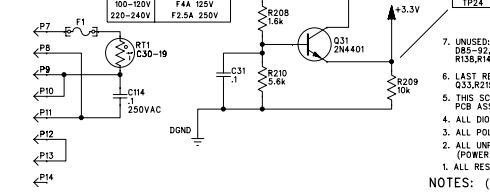
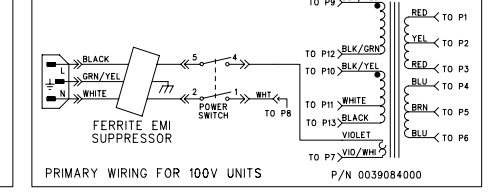
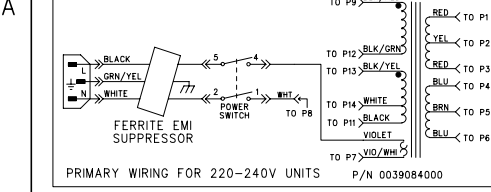
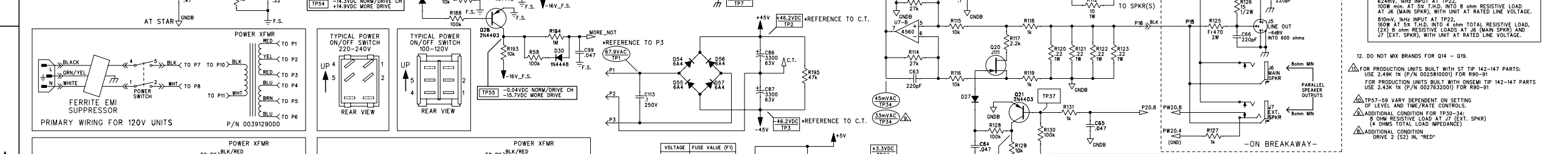
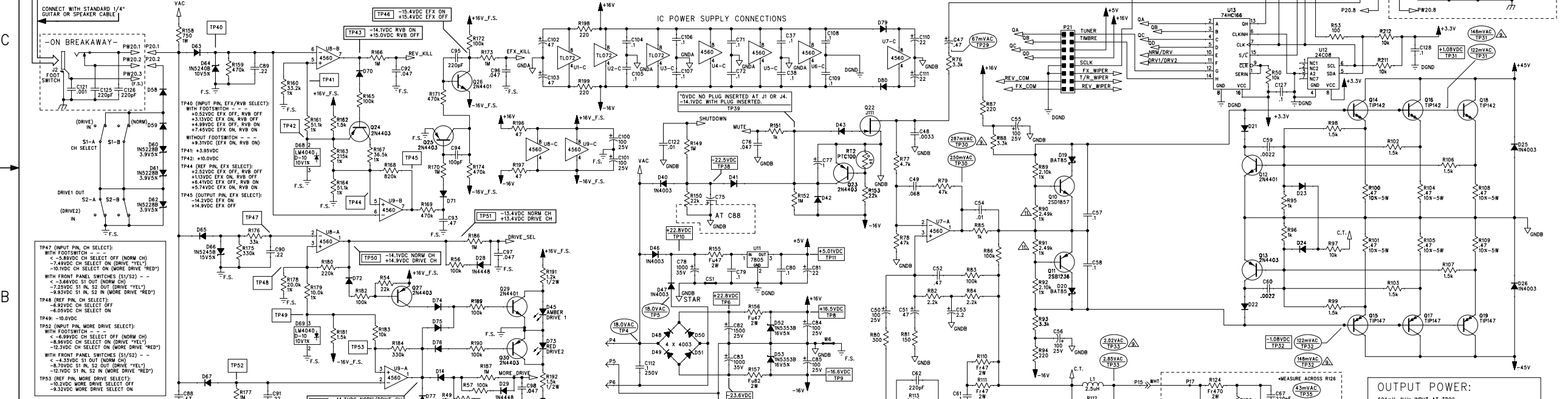
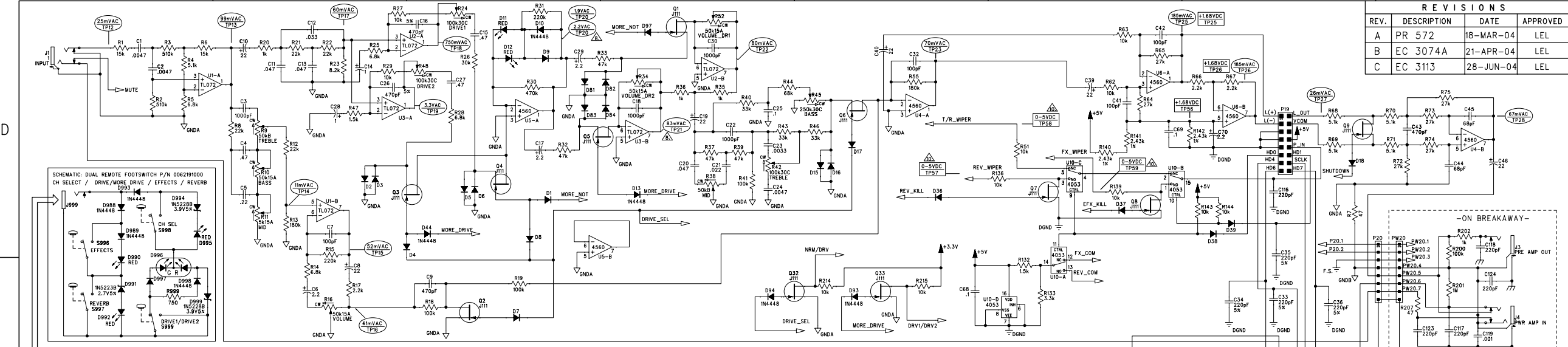


REVISIONS			
REV.	DESCRIPTION	DATE	APPROVED
A	PR 572	18-MAR-04	LEL
B	EC 3074A	21-APR-04	LEL
C	EC 3113	28-JUN-04	LEL



- NOTES: (UNLESS OTHERWISE NOTED)
- UNUSED: C73,C74,C15,C10,C20,D31-35,D78, D85-12,D95,D96,D99-101,R14,155,R17, R18,R145-148,R184,R185,R203-206,R215.
 - LAST REFERENCE DESIGNATORS: C128,D97,F17,J1,P2,LPW20, Q33,R75,RT2-32,133.
 - THIS SCHEMATIC IS FOR PCB FABRICATION P/N 006219000 AND PCB ASSEMBLY P/N 002161000.
 - ALL DIODES ARE 1N4448.
 - ALL POLARIZED CAPACITORS IN uF, 20% 50V MINIMUM.
 - ALL UNPOLARIZED CAPACITORS IN uF, 10% OR BETTER; 50V MINIMUM. (POWER SUPPLY BYPASS CAPACITORS ARE 20%).
 - ALL RESISTORS IN OHMS, 5% 1/4W.

THIS DOCUMENT CONTAINS INFORMATION OF A PROPRIETARY NATURE TO FENDER MUSICAL INSTRUMENTS AND IS SUBMITTED TO YOU IN CONFERENCE AND SHALL NOT BE DISCLOSED OR TRANSMITTED TO OTHERS WITHOUT AUTHORIZATION FROM FENDER MUSICAL INSTRUMENTS.

CHECKED BY: _____ DATE: _____

APPROVED BY: _____ DATE: _____

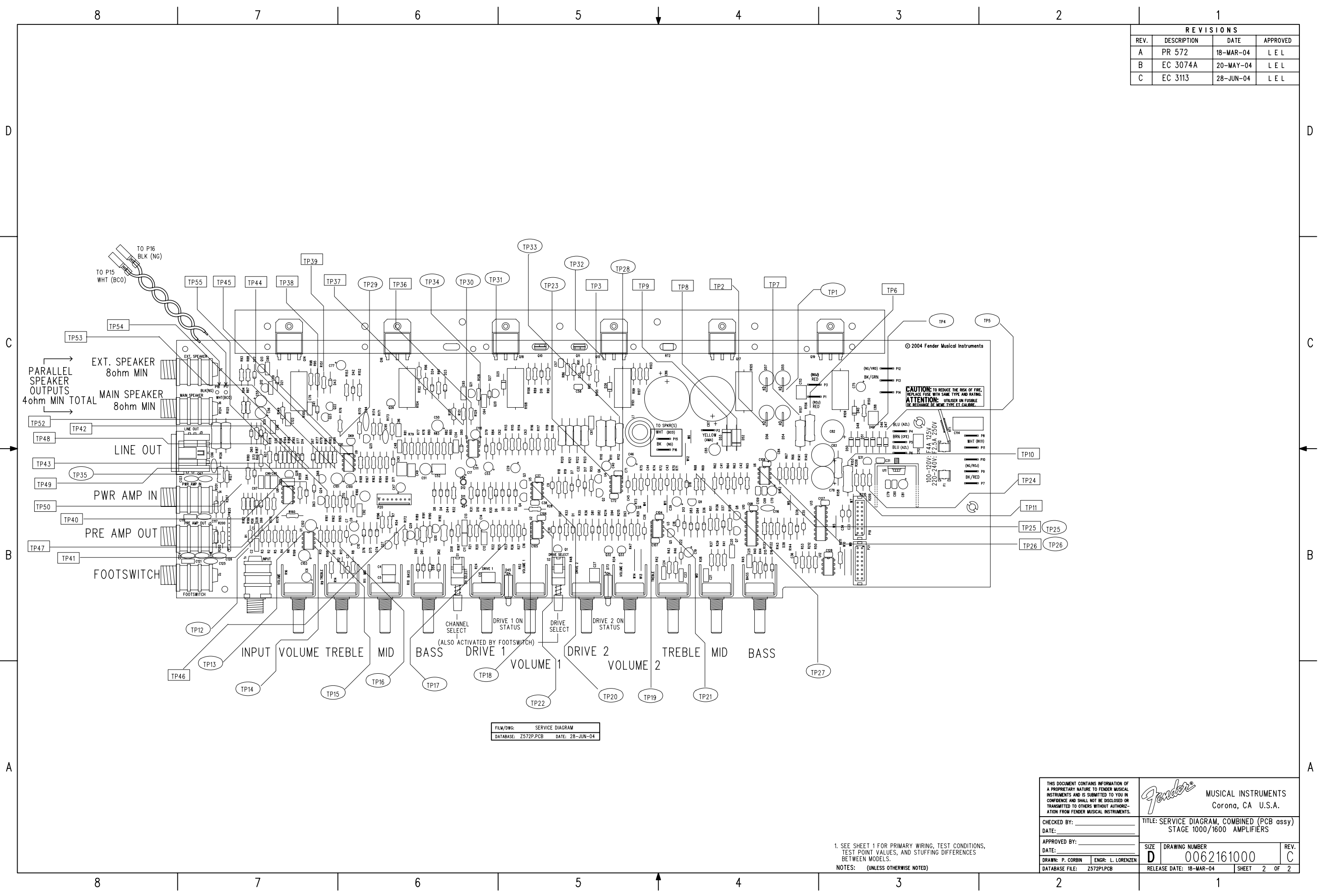
DRAWN: LORENZEN ENGR. LORENZEN DATABASE FILE: Z572S1.SCH

TITLE: SERVICE DIAGRAM, COMBINED (schematic) STAGE 1000/1600 AMPLIFIER

SIZE: DRAWING NUMBER 0062161000 REV. C

RELEASE DATE: 18-MAR-04 SHEET: 1 OF 2

REVISIONS			
REV.	DESCRIPTION	DATE	APPROVED
A	PR 572	18-MAR-04	L E L
B	EC 3074A	20-MAY-04	L E L
C	EC 3113	28-JUN-04	L E L

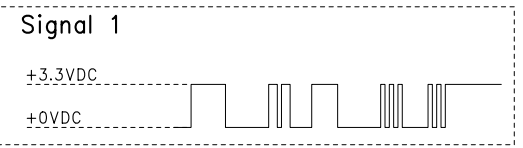
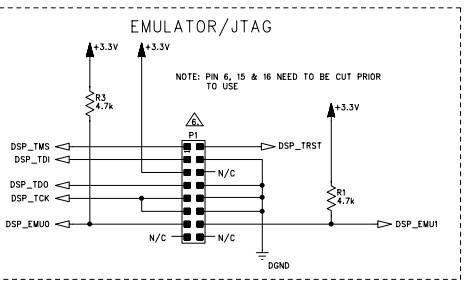
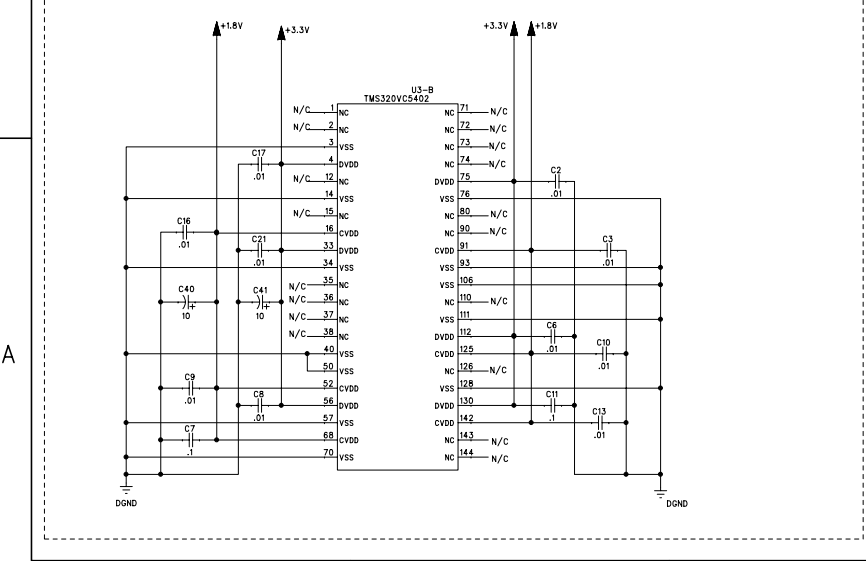
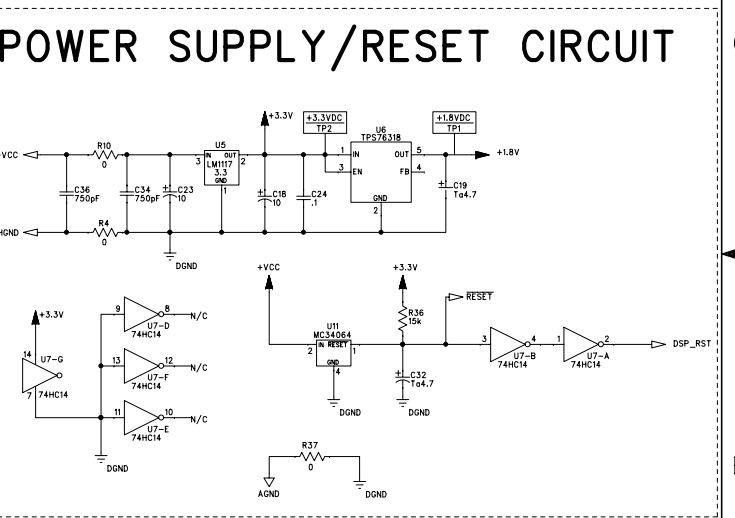
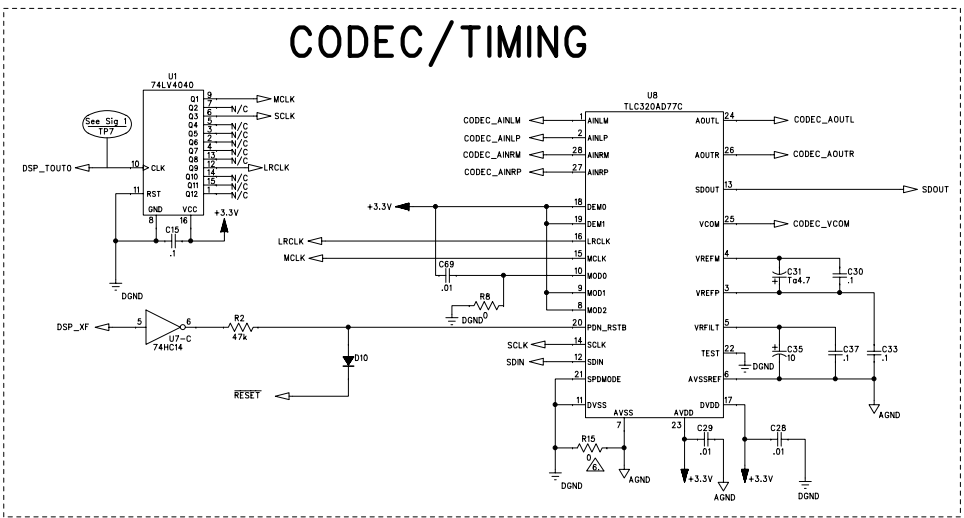
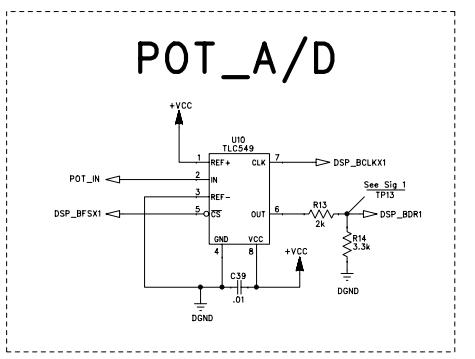
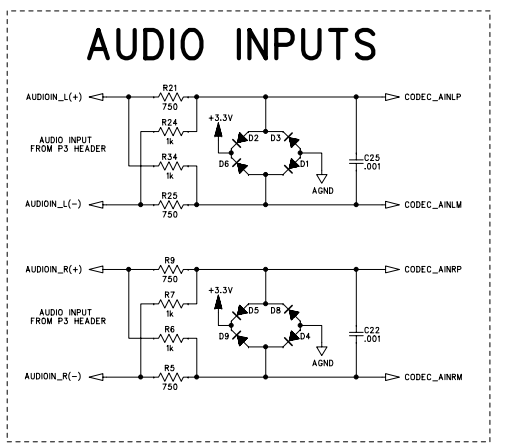
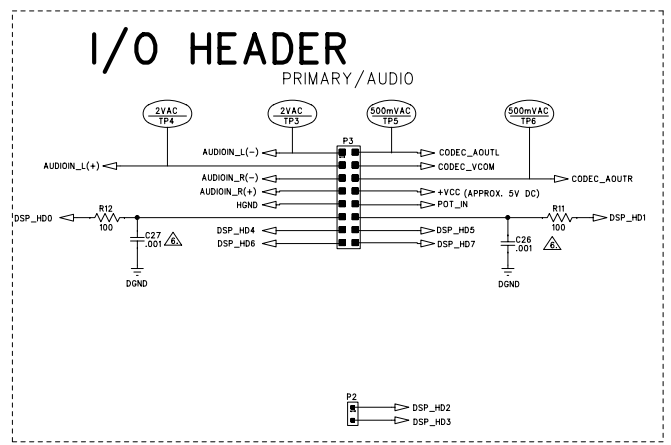
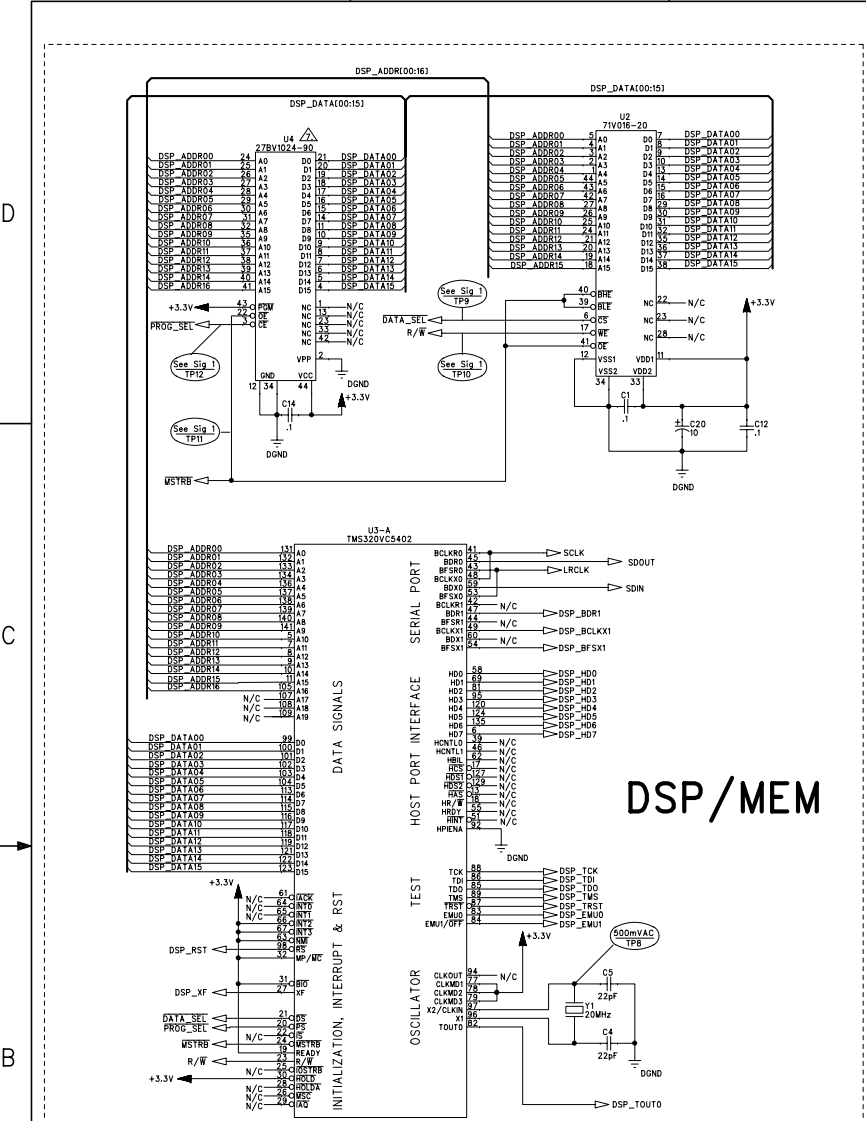


FILM/DWG: SERVICE DIAGRAM
 DATABASE: Z572P.PCB DATE: 28-JUN-04

1. SEE SHEET 1 FOR PRIMARY WIRING, TEST CONDITIONS, TEST POINT VALUES, AND STUFFING DIFFERENCES BETWEEN MODELS.
 NOTES: (UNLESS OTHERWISE NOTED)

<small>THIS DOCUMENT CONTAINS INFORMATION OF A PROPRIETARY NATURE TO FENDER MUSICAL INSTRUMENTS AND IS SUBMITTED TO YOU IN CONFIDENCE AND SHALL NOT BE DISCLOSED OR TRANSMITTED TO OTHERS WITHOUT AUTHORIZATION FROM FENDER MUSICAL INSTRUMENTS.</small>		MUSICAL INSTRUMENTS Corona, CA U.S.A.	
CHECKED BY: _____ DATE: _____		TITLE: SERVICE DIAGRAM, COMBINED (PCB assy) STAGE 1000/1600 AMPLIFIERS	
APPROVED BY: _____ DATE: _____		SIZE: D	DRAWING NUMBER: 0062161000
DRAWN: P. CORBIN	ENGR: L. LORENZEN	RELEASE DATE: 18-MAR-04	REV. C SHEET 2 OF 2
DATABASE FILE: Z572P.PCB			

REVISIONS			
REV.	DESCRIPTION	DATE	APPROVED
A	PR480	29-NOV-01	J T L
B	EC 2743	07-MAR-02	J T L
C	EC 2789	10-JUN-02	J C S
D	PR542	25-APR-03	R J D



- NOTES: (UNLESS OTHERWISE NOTED)
- INSTALL IC IN SOCKET. FENDER P/N 0056585005
 - DO NOT STUFF C26-27, P1, R15.
 - THIS SCHEMATIC IS FOR PCB FABRICATION P/N 0057284000 AND PCB ASSEMBLY P/N 0057285000.
 - ALL DIODES ARE 1N4448.
 - ALL POLARIZED CAPACITORS IN uF, 20% 15V MINIMUM.
 - ALL UNPOLARIZED CAPACITORS IN uF, 10% OR BETTER; 16V MINIMUM. (POWER SUPPLY BYPASS CAPACITORS ARE 20%).
 - ALL RESISTORS IN OHMS, 5% 1/10W.

THIS DOCUMENT CONTAINS INFORMATION OF A PROPRIETARY NATURE TO FENDER MUSICAL INSTRUMENTS AND IS SUBMITTED TO YOU IN CONFERENCE AND SHALL NOT BE DISCLOSED OR TRANSMITTED TO OTHERS WITHOUT AUTHORIZATION FROM FENDER MUSICAL INSTRUMENTS.

Fender MUSICAL INSTRUMENTS
 Corona, CA U.S.A.

CHECKED BY: _____
 DATE: _____
 APPROVED BY: _____
 DATE: _____

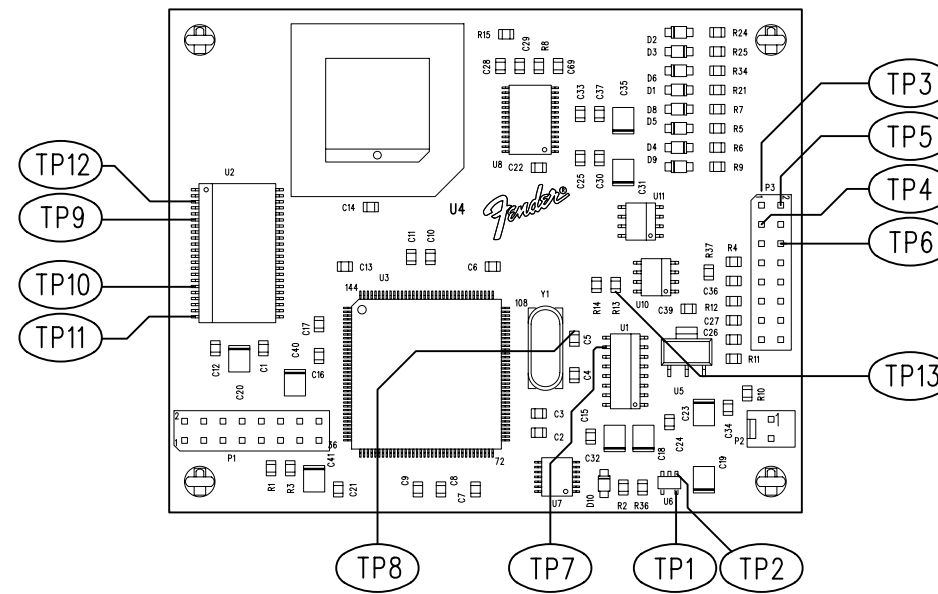
TITLE: SERVICE DIAGRAM, COMBINED (schematic) MICRO DSP

SIZE: **D** DRAWING NUMBER: **0057283000** REV. **D**

DRAWN: J. Jimenez ENGR: J. Lamb
 DATABASE FILE: Z4815.SCH
 RELEASE DATE: 29-NOV-01 SHEET: 1 OF 2

REVISIONS


REV.	DESCRIPTION	DATE	APPROVED
A	PR480	30-NOV-01	J T L
B	EC 2743	07-MAR-02	J T L
C	EC 2789	10-JUN-02	J C S
D	PR542	25-APR-03	R J D



FILM/DWG: SERVICE DIAGRAM
 DATABASE: Z481P.PCB DATE: 25-APR-03

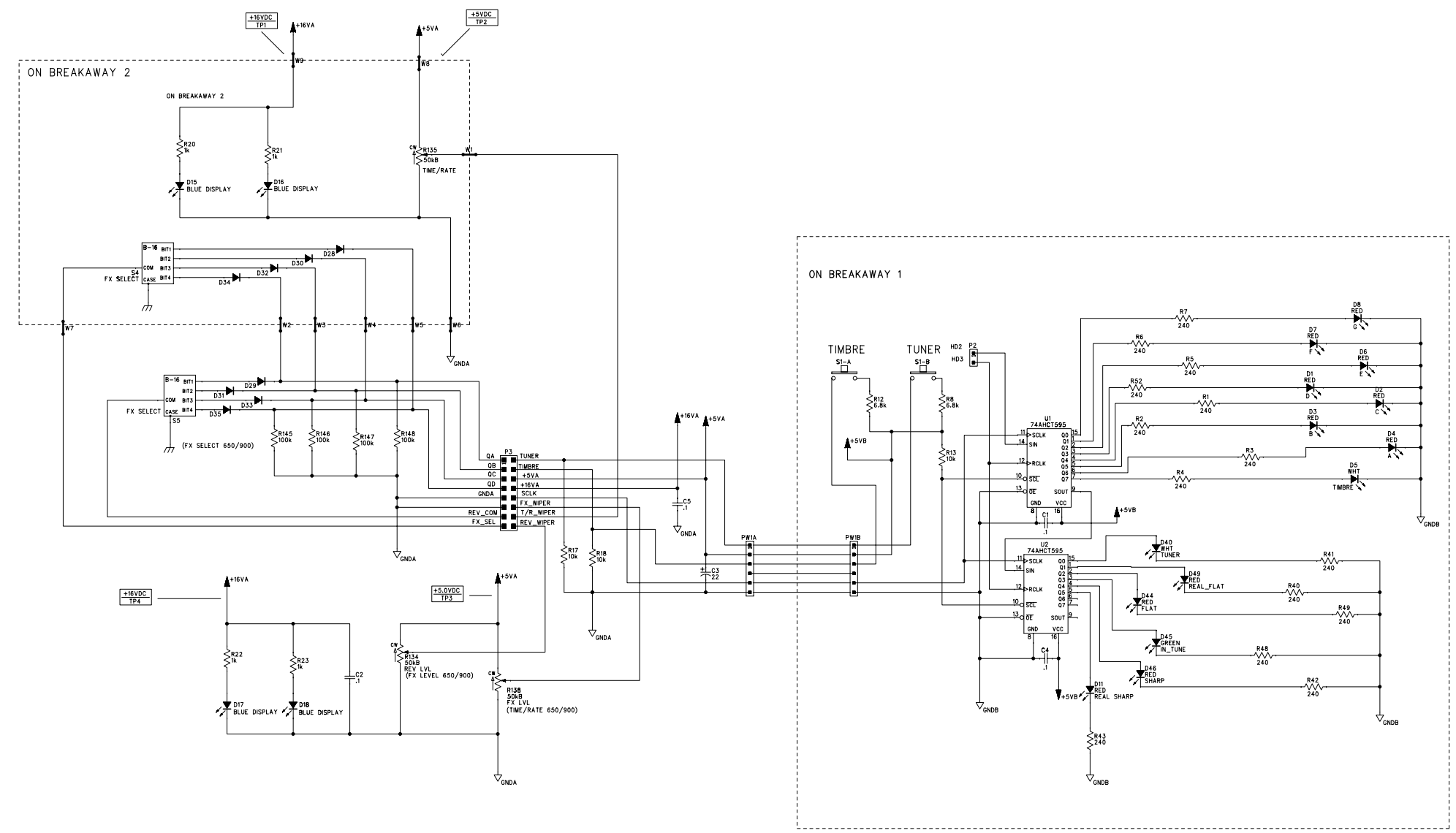
1. SEE SHEET 1 FOR TEST CONDITIONS AND TEST POINT VALUES.

NOTES: (UNLESS OTHERWISE NOTED)

THIS DOCUMENT CONTAINS INFORMATION OF A PROPRIETARY NATURE TO FENDER MUSICAL INSTRUMENTS AND IS SUBMITTED TO YOU IN CONFIDENCE AND SHALL NOT BE DISCLOSED OR TRANSMITTED TO OTHERS WITHOUT AUTHORIZATION FROM FENDER MUSICAL INSTRUMENTS.		 MUSICAL INSTRUMENTS Corona, CA U.S.A.	
CHECKED BY: _____ DATE: _____		TITLE: SERVICE DIAGRAM, COMBINED (PCB assy) uDSP SERIES	
APPROVED BY: _____ DATE: _____		SIZE B	DRAWING NUMBER 0057283000
DRAWN: J. Jimenez	ENGR: J. Lamb	REV. D	
DATABASE FILE: Z481P.PCB		RELEASE DATE: 30-NOV-01	SHEET 2 OF 2

8 7 6 5 4 3 2 1

REVISIONS			
REV.	DESCRIPTION	DATE	APPROVED
A	PR572	16-MAR-04	LEL



- NOTES: (UNLESS OTHERWISE NOTED)
1. ALL RESISTORS IN OHMS, 5%; 1/4W.
 2. ALL UNPOLARIZED CAPACITORS IN uF, 10% OR BETTER; 50V MINIMUM. (POWER SUPPLY BYPASS CAPACITORS ARE 20%).
 3. ALL POLARIZED CAPACITORS IN uF, 20%; 50V MINIMUM.
 4. ALL DIODES ARE 1N4448.
 5. THIS SCHEMATIC IS FOR PCB FABRICATION P/N 0055367000 AND PCB ASSEMBLIES P/N 0055367000 and 0064106000.
 6. ITEMS ON BREAKAWAY 2 ARE NOT STUFFED FOR PRINCETON 650 AND DELUXE 900.
 7. ALL VOLTAGES ARE +/- 10%.

THIS DOCUMENT CONTAINS INFORMATION OF A PROPRIETARY NATURE TO FENDER MUSICAL INSTRUMENTS AND IS SUBMITTED TO YOU IN CONFIDENCE AND SHALL NOT BE DISCLOSED OR TRANSMITTED TO OTHERS WITHOUT AUTHORIZATION FROM FENDER MUSICAL INSTRUMENTS.

Fender MUSICAL INSTRUMENTS
Corona, CA U.S.A.

CHECKED BY: _____
DATE: _____

APPROVED BY: _____
DATE: _____

DRAWN: LORENZEN ENGR: LORENZEN
DATABASE FILE: Z572P25.SCH

TITLE: SERVICE DIAGRAM, COMBINED (schematic)
TUNER/TIMBRE DISPLAY PCB

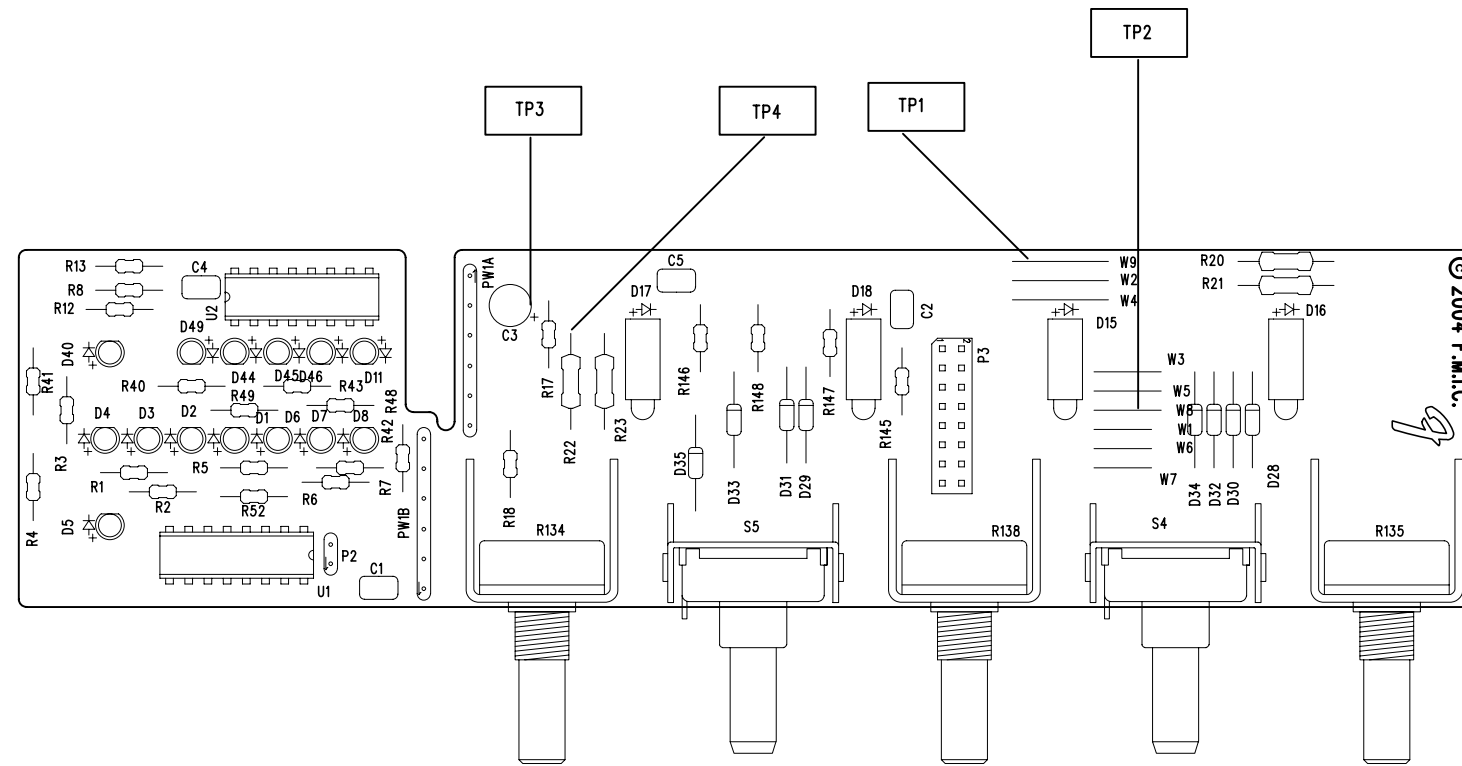
SIZE: **D** DRAWING NUMBER: **0054426000** REV. **A**

RELEASE DATE: 16-MAR-03 SHEET: 1 OF 2

8 7 6 5 4 3 2 1


REVISIONS

REV.	DESCRIPTION	DATE	APPROVED
A	PR572	16-MAR-04	L.E.L.



FILM/DWG: SERVICE DIAGRAM
 DATABASE: Z572P2.PCB DATE: 16-MAR-04

NOTES: (UNLESS OTHERWISE NOTED)

THIS DOCUMENT CONTAINS INFORMATION OF A PROPRIETARY NATURE TO FENDER MUSICAL INSTRUMENTS AND IS SUBMITTED TO YOU IN CONFIDENCE AND SHALL NOT BE DISCLOSED OR TRANSMITTED TO OTHERS WITHOUT AUTHORIZATION FROM FENDER MUSICAL INSTRUMENTS.		 MUSICAL INSTRUMENTS Corona, CA U.S.A.	
CHECKED BY: _____ DATE: _____		TITLE: SERVICE DIAGRAM, COMBINED (PCB assy) TUNER/VOICE DISPLAY PCB	
APPROVED BY: _____ DATE: _____		SIZE B	DRAWING NUMBER 0054426000
DRAWN: PCORBIN ENGR: LORENZEN	DATABASE FILE: Z572P2.PCB	RELEASE DATE: 16-MAR-04	REV. A SHEET 2 OF 2