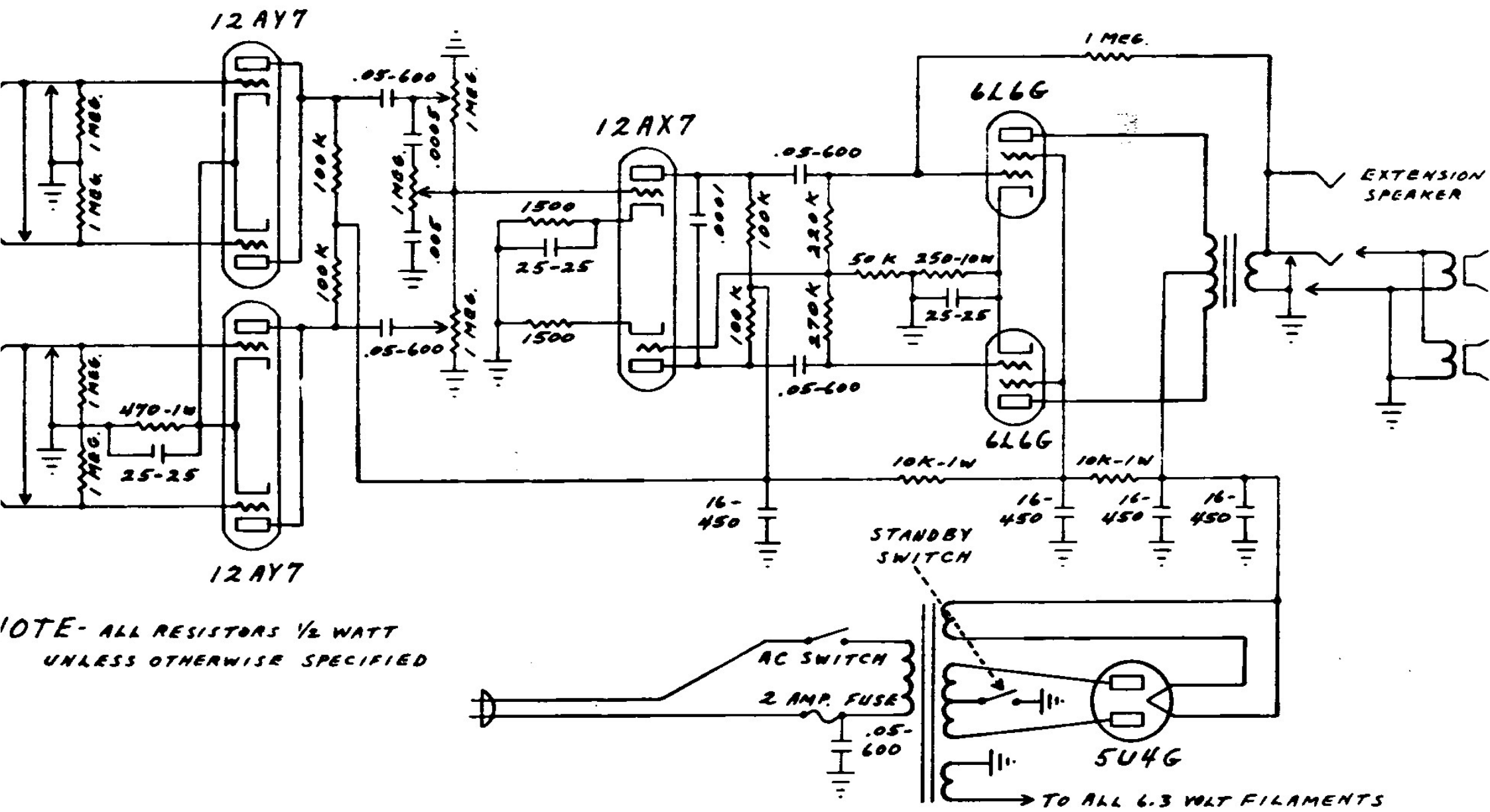


# FENDER "SUPER-AMP" SCHEMATIC

## MODEL 5D4

I-ED



NOTE- ALL RESISTORS 1/2 WATT  
UNLESS OTHERWISE SPECIFIED

STANDBY SWITCH

AC SWITCH  
2 AMP. FUSE

5U4G

TO ALL 6.3 VOLT FILAMENTS

# FENDER "SUPER-AMP" NOTICE

MODEL 504

I-ED

VOLTAGES READ TO GROUND  
WITH ELECTRONIC VOLTMETER.  
VALUES SHOWN + OR - 20%

