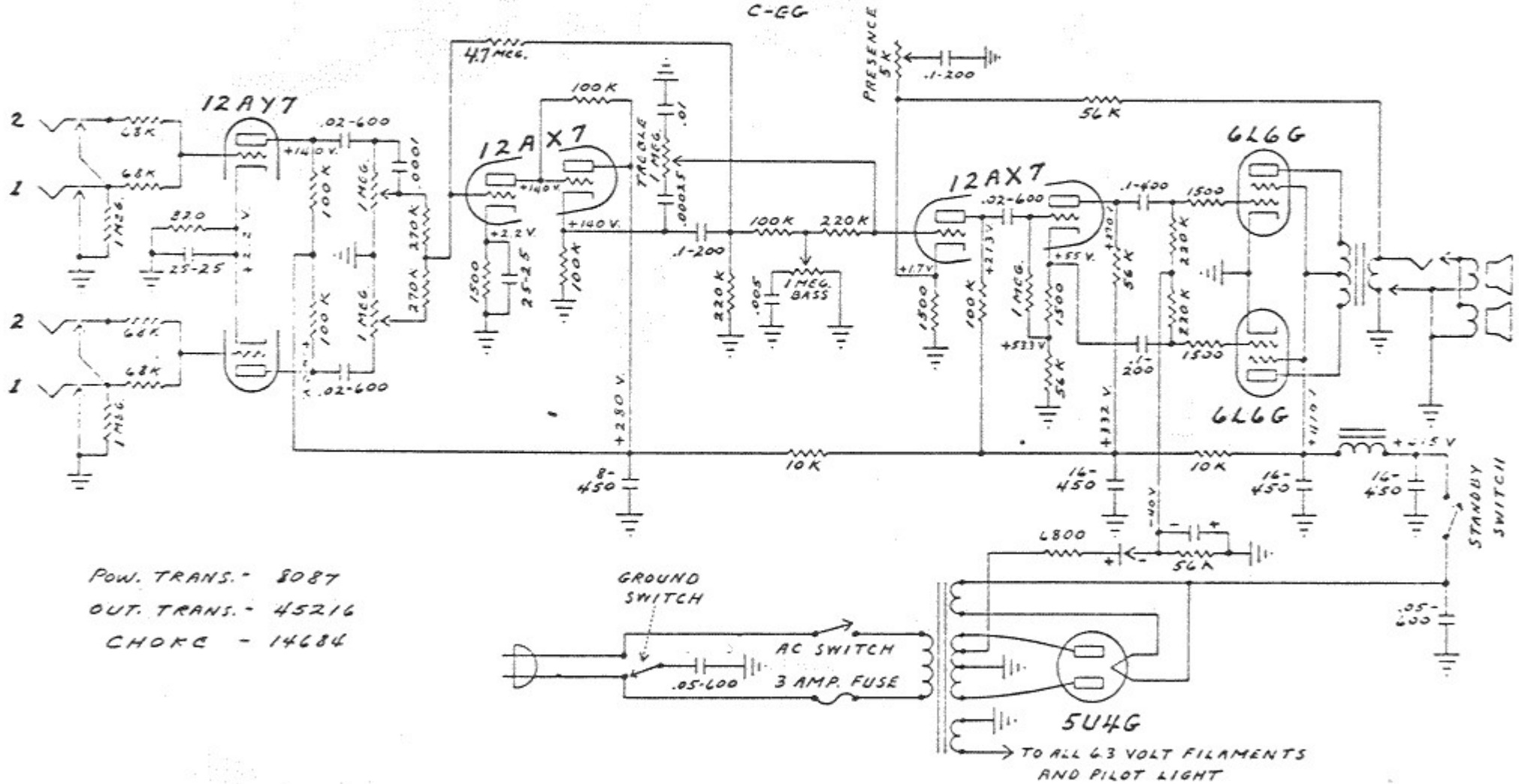


# FENDER "SUPER-AMP" SCHEMATIC

## MODEL 5F4

### NOTICE

VOLTAGES READ TO GROUND  
WITH ELECTRONIC VOLTMETER  
VALUES SHOWN  $\pm$  OR  $- 20\%$



# FENDER "SUPER-AMP" LAYOUT

## MODEL 5F4

C-66

# NOTICE

VOLTAGES READ TO GROUND  
WITH ELECTRONIC VOLTMETER  
VALUES SHOWN + OR - 20%

