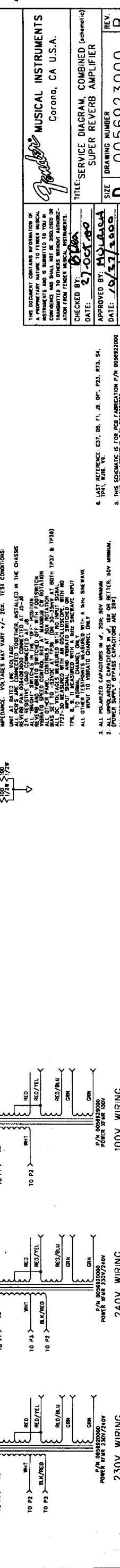
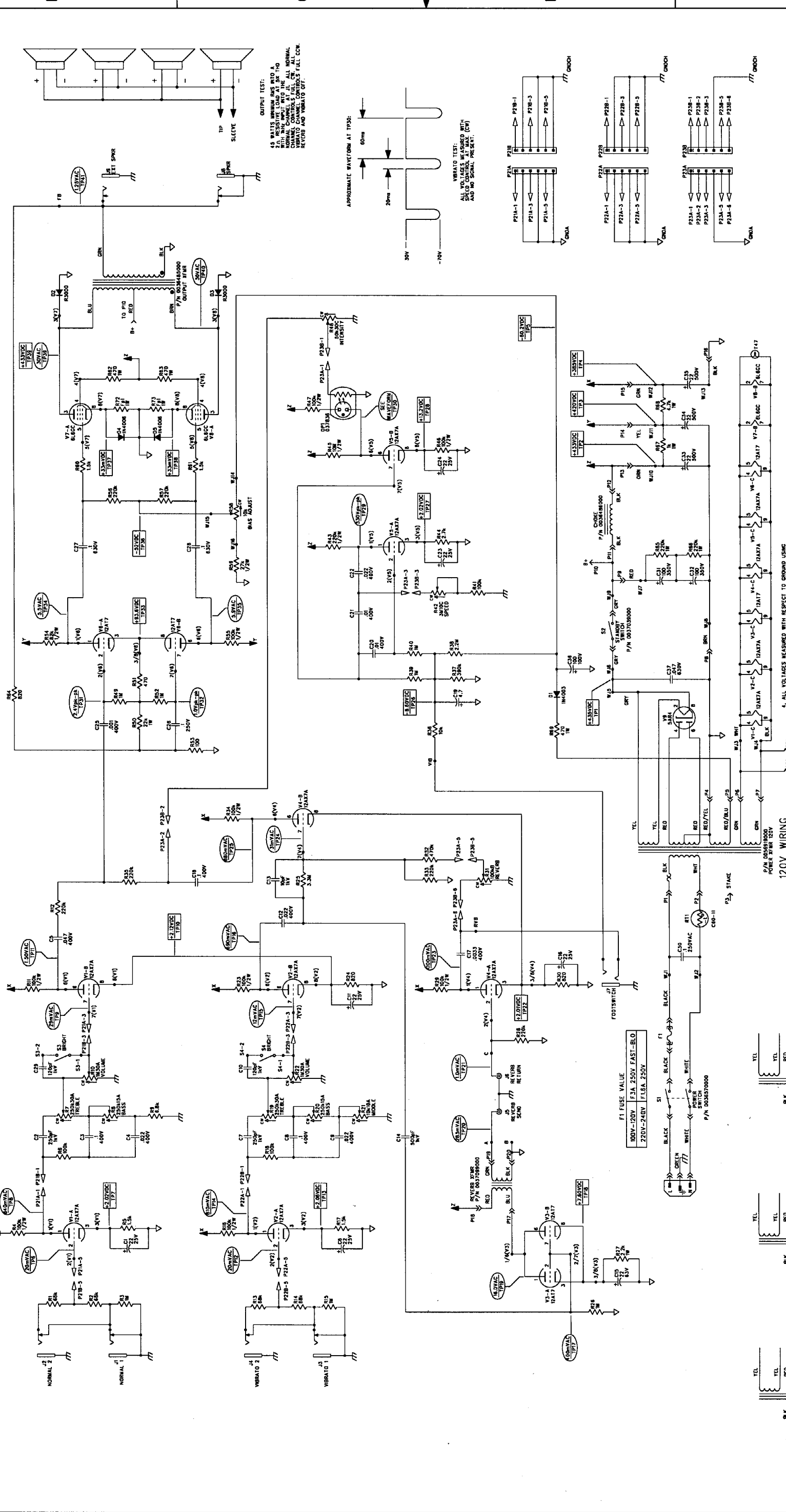


REVISIONS			
REV.	DESCRIPTION	DATE	APPROVED
A	PR 469	17-AUG-00	MCU
B	EC 2539	24-OCT-00	MCU

1	2	3	4	5	6	7	8
---	---	---	---	---	---	---	---



230V WIRING  
 P/N 003670000  
 POWER WIR 230V/240V

240V WIRING  
 P/N 003670000  
 POWER WIR 230V/240V

100V WIRING  
 P/N 003670000  
 POWER WIR 100V

120V WIRING  
 P/N 003670000  
 POWER WIR 120V

NOTES: (UNLESS OTHERWISE NOTED)  
 1. ALL UNPOLARIZED CAPACITORS IN  $\mu$ F, 50V OR BETTER, 50V MINIMUM.  
 2. ALL POLARIZED CAPACITORS IN  $\mu$ F, 50V OR BETTER, 50V MINIMUM.  
 3. THIS SIZE RESISTOR IN OHMS, 5% 1/4W.  
 4. ALL VOLTAGES MEASURED WITH RESPECT TO GROUND (BNC) USING A DVM OF AT LEAST 100  $\Omega$  INPUT IMPEDANCE AND 10M  $\Omega$  DC IMPEDANCE. VOLTAGES MAY VARY  $\pm 2\%$ . TEST CONDITIONS: UNIT ALLIED AND LAMP CONNECTED TOGETHER, INSTALLED IN THE CHASSIS REVERB PAN DOOR/DOOR LOCKED AT 25-30" POSITION. ALL "BRIGHT" SWITCHES IN THE "OFF" POSITION. VIBRATO SPEED CONTROL SET AT MAXIMUM OF ROTATION. ALL OTHER PANEL CONTROLS AT 50% POSITION. ALL DC VOLTAGES MEASURED WITH NO INPUT SIGNAL. TP1, TP2, TP3, TP4, TP5, TP6, TP7, TP8, TP9, TP10, TP11, TP12, TP13, TP14, TP15, TP16, TP17, TP18, TP19, TP20, TP21, TP22, TP23, TP24, TP25, TP26, TP27, TP28, TP29, TP30, TP31, TP32, TP33, TP34, TP35, TP36, TP37, TP38, TP39, TP40, TP41, TP42, TP43, TP44, TP45, TP46, TP47, TP48, TP49, TP50, TP51, TP52, TP53, TP54, TP55, TP56, TP57, TP58, TP59, TP60, TP61, TP62, TP63, TP64, TP65, TP66, TP67, TP68, TP69, TP70, TP71, TP72, TP73, TP74, TP75, TP76, TP77, TP78, TP79, TP80, TP81, TP82, TP83, TP84, TP85, TP86, TP87, TP88, TP89, TP90, TP91, TP92, TP93, TP94, TP95, TP96, TP97, TP98, TP99, TP100, TP101, TP102, TP103, TP104, TP105, TP106, TP107, TP108, TP109, TP110, TP111, TP112, TP113, TP114, TP115, TP116, TP117, TP118, TP119, TP120, TP121, TP122, TP123, TP124, TP125, TP126, TP127, TP128, TP129, TP130, TP131, TP132, TP133, TP134, TP135, TP136, TP137, TP138, TP139, TP140, TP141, TP142, TP143, TP144, TP145, TP146, TP147, TP148, TP149, TP150, TP151, TP152, TP153, TP154, TP155, TP156, TP157, TP158, TP159, TP160, TP161, TP162, TP163, TP164, TP165, TP166, TP167, TP168, TP169, TP170, TP171, TP172, TP173, TP174, TP175, TP176, TP177, TP178, TP179, TP180, TP181, TP182, TP183, TP184, TP185, TP186, TP187, TP188, TP189, TP190, TP191, TP192, TP193, TP194, TP195, TP196, TP197, TP198, TP199, TP200, TP201, TP202, TP203, TP204, TP205, TP206, TP207, TP208, TP209, TP210, TP211, TP212, TP213, TP214, TP215, TP216, TP217, TP218, TP219, TP220, TP221, TP222, TP223, TP224, TP225, TP226, TP227, TP228, TP229, TP230, TP231, TP232, TP233, TP234, TP235, TP236, TP237, TP238, TP239, TP240, TP241, TP242, TP243, TP244, TP245, TP246, TP247, TP248, TP249, TP250, TP251, TP252, TP253, TP254, TP255, TP256, TP257, TP258, TP259, TP260, TP261, TP262, TP263, TP264, TP265, TP266, TP267, TP268, TP269, TP270, TP271, TP272, TP273, TP274, TP275, TP276, TP277, TP278, TP279, TP280, TP281, TP282, TP283, TP284, TP285, TP286, TP287, TP288, TP289, TP290, TP291, TP292, TP293, TP294, TP295, TP296, TP297, TP298, TP299, TP300, TP301, TP302, TP303, TP304, TP305, TP306, TP307, TP308, TP309, TP310, TP311, TP312, TP313, TP314, TP315, TP316, TP317, TP318, TP319, TP320, TP321, TP322, TP323, TP324, TP325, TP326, TP327, TP328, TP329, TP330, TP331, TP332, TP333, TP334, TP335, TP336, TP337, TP338, TP339, TP340, TP341, TP342, TP343, TP344, TP345, TP346, TP347, TP348, TP349, TP350, TP351, TP352, TP353, TP354, TP355, TP356, TP357, TP358, TP359, TP360, TP361, TP362, TP363, TP364, TP365, TP366, TP367, TP368, TP369, TP370, TP371, TP372, TP373, TP374, TP375, TP376, TP377, TP378, TP379, TP380, TP381, TP382, TP383, TP384, TP385, TP386, TP387, TP388, TP389, TP390, TP391, TP392, TP393, TP394, TP395, TP396, TP397, TP398, TP399, TP400, TP401, TP402, TP403, TP404, TP405, TP406, TP407, TP408, TP409, TP410, TP411, TP412, TP413, TP414, TP415, TP416, TP417, TP418, TP419, TP420, TP421, TP422, TP423, TP424, TP425, TP426, TP427, TP428, TP429, TP430, TP431, TP432, TP433, TP434, TP435, TP436, TP437, TP438, TP439, TP440, TP441, TP442, TP443, TP444, TP445, TP446, TP447, TP448, TP449, TP450, TP451, TP452, TP453, TP454, TP455, TP456, TP457, TP458, TP459, TP460, TP461, TP462, TP463, TP464, TP465, TP466, TP467, TP468, TP469, TP470, TP471, TP472, TP473, TP474, TP475, TP476, TP477, TP478, TP479, TP480, TP481, TP482, TP483, TP484, TP485, TP486, TP487, TP488, TP489, TP490, TP491, TP492, TP493, TP494, TP495, TP496, TP497, TP498, TP499, TP500, TP501, TP502, TP503, TP504, TP505, TP506, TP507, TP508, TP509, TP510, TP511, TP512, TP513, TP514, TP515, TP516, TP517, TP518, TP519, TP520, TP521, TP522, TP523, TP524, TP525, TP526, TP527, TP528, TP529, TP530, TP531, TP532, TP533, TP534, TP535, TP536, TP537, TP538, TP539, TP540, TP541, TP542, TP543, TP544, TP545, TP546, TP547, TP548, TP549, TP550, TP551, TP552, TP553, TP554, TP555, TP556, TP557, TP558, TP559, TP560, TP561, TP562, TP563, TP564, TP565, TP566, TP567, TP568, TP569, TP570, TP571, TP572, TP573, TP574, TP575, TP576, TP577, TP578, TP579, TP580, TP581, TP582, TP583, TP584, TP585, TP586, TP587, TP588, TP589, TP590, TP591, TP592, TP593, TP594, TP595, TP596, TP597, TP598, TP599, TP600, TP601, TP602, TP603, TP604, TP605, TP606, TP607, TP608, TP609, TP610, TP611, TP612, TP613, TP614, TP615, TP616, TP617, TP618, TP619, TP620, TP621, TP622, TP623, TP624, TP625, TP626, TP627, TP628, TP629, TP630, TP631, TP632, TP633, TP634, TP635, TP636, TP637, TP638, TP639, TP640, TP641, TP642, TP643, TP644, TP645, TP646, TP647, TP648, TP649, TP650, TP651, TP652, TP653, TP654, TP655, TP656, TP657, TP658, TP659, TP660, TP661, TP662, TP663, TP664, TP665, TP666, TP667, TP668, TP669, TP670, TP671, TP672, TP673, TP674, TP675, TP676, TP677, TP678, TP679, TP680, TP681, TP682, TP683, TP684, TP685, TP686, TP687, TP688, TP689, TP690, TP691, TP692, TP693, TP694, TP695, TP696, TP697, TP698, TP699, TP700, TP701, TP702, TP703, TP704, TP705, TP706, TP707, TP708, TP709, TP710, TP711, TP712, TP713, TP714, TP715, TP716, TP717, TP718, TP719, TP720, TP721, TP722, TP723, TP724, TP725, TP726, TP727, TP728, TP729, TP730, TP731, TP732, TP733, TP734, TP735, TP736, TP737, TP738, TP739, TP740, TP741, TP742, TP743, TP744, TP745, TP746, TP747, TP748, TP749, TP750, TP751, TP752, TP753, TP754, TP755, TP756, TP757, TP758, TP759, TP760, TP761, TP762, TP763, TP764, TP765, TP766, TP767, TP768, TP769, TP770, TP771, TP772, TP773, TP774, TP775, TP776, TP777, TP778, TP779, TP780, TP781, TP782, TP783, TP784, TP785, TP786, TP787, TP788, TP789, TP790, TP791, TP792, TP793, TP794, TP795, TP796, TP797, TP798, TP799, TP800, TP801, TP802, TP803, TP804, TP805, TP806, TP807, TP808, TP809, TP810, TP811, TP812, TP813, TP814, TP815, TP816, TP817, TP818, TP819, TP820, TP821, TP822, TP823, TP824, TP825, TP826, TP827, TP828, TP829, TP830, TP831, TP832, TP833, TP834, TP835, TP836, TP837, TP838, TP839, TP840, TP841, TP842, TP843, TP844, TP845, TP846, TP847, TP848, TP849, TP850, TP851, TP852, TP853, TP854, TP855, TP856, TP857, TP858, TP859, TP860, TP861, TP862, TP863, TP864, TP865, TP866, TP867, TP868, TP869, TP870, TP871, TP872, TP873, TP874, TP875, TP876, TP877, TP878, TP879, TP880, TP881, TP882, TP883, TP884, TP885, TP886, TP887, TP888, TP889, TP890, TP891, TP892, TP893, TP894, TP895, TP896, TP897, TP898, TP899, TP900, TP901, TP902, TP903, TP904, TP905, TP906, TP907, TP908, TP909, TP910, TP911, TP912, TP913, TP914, TP915, TP916, TP917, TP918, TP919, TP920, TP921, TP922, TP923, TP924, TP925, TP926, TP927, TP928, TP929, TP930, TP931, TP932, TP933, TP934, TP935, TP936, TP937, TP938, TP939, TP940, TP941, TP942, TP943, TP944, TP945, TP946, TP947, TP948, TP949, TP950, TP951, TP952, TP953, TP954, TP955, TP956, TP957, TP958, TP959, TP960, TP961, TP962, TP963, TP964, TP965, TP966, TP967, TP968, TP969, TP970, TP971, TP972, TP973, TP974, TP975, TP976, TP977, TP978, TP979, TP980, TP981, TP982, TP983, TP984, TP985, TP986, TP987, TP988, TP989, TP990, TP991, TP992, TP993, TP994, TP995, TP996, TP997, TP998, TP999, TP1000.

THIS DOCUMENT CONTAINS INFORMATION OF A PROPRIETARY NATURE TO FENDER MUSICAL INSTRUMENTS, INC. AND IS NOT TO BE REPRODUCED OR TRANSMITTED IN ANY FORM OR BY ANY MEANS WITHOUT THE WRITTEN PERMISSION OF FENDER MUSICAL INSTRUMENTS, INC.

CHECKED BY: *B. B. B.*  
 DATE: 27-OCT-00

APPROVED BY: *M. J. J.*  
 DATE: 18/27/00

DRAWING NUMBER: **D 0056923000**  
 ENGINEER: MURPHY  
 DATABASE FILE: 24895.SCH

TITLE: SERVICE DIAGRAM, COMBINED (schematic)  
 SUPER REVERB AMPLIFIER

MUSICAL INSTRUMENTS  
 Corona, CA U.S.A.

REV. B  
 DRAWING NUMBER D 0056923000  
 RELEASE DATE: 20-JUL-00 SHEET: 1 OF 2

48 WATTS MINIMUM RMS INTO A 16  $\Omega$  LOAD WITH 10% THD. THE NORMAL CHANNEL AT 1/2 ALL NORMAL CHANNELS. THE VIBRATO CHANNEL CONTROLS FULL CCW REVERB AND VIBRATO OFF.

APPROXIMATE WAVEFORM AT TP30:  
 60ms  
 20ms  
 30V  
 -70V

VIBRATO TEST:  
 ALL VOLTAGES MEASURED AT MAX. (CW) SPEED CONTROL AT MAX. (CW) AND NO SIGNAL PRESENT.

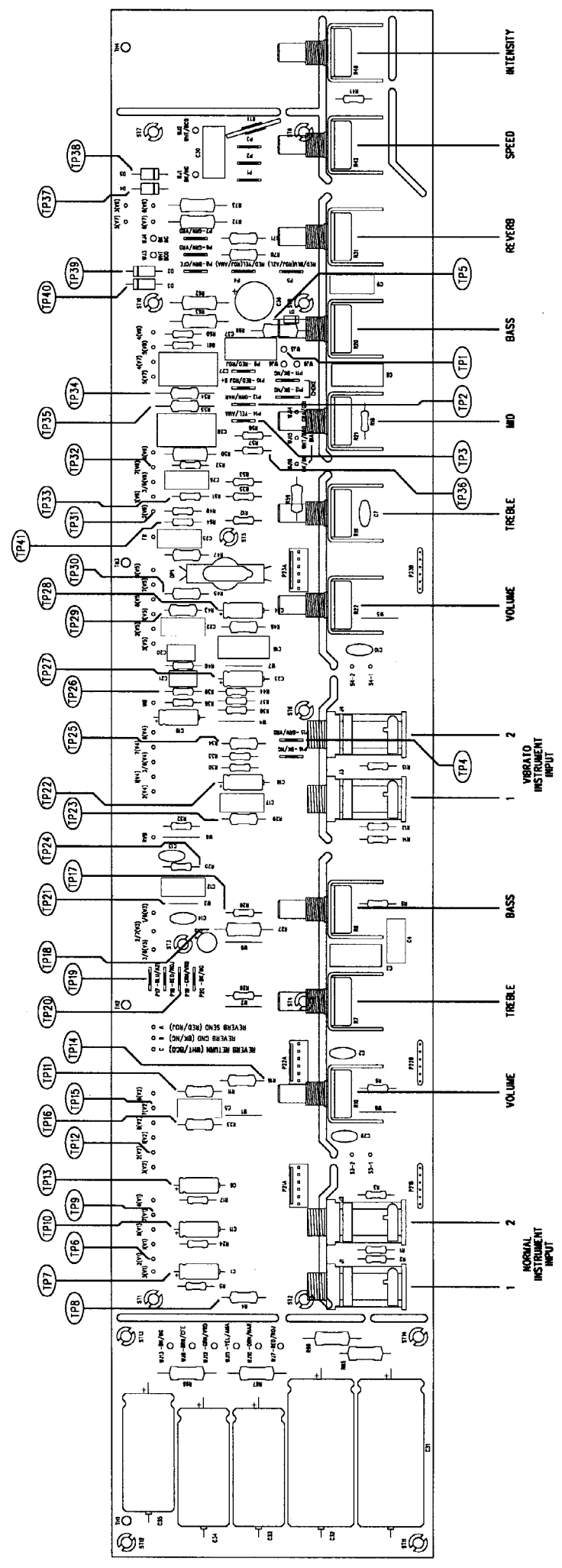
6. LAST REFERENCE: C57, P1, J1, G1, P2, R13, S4, 1P1, W1, V1.

7. THIS SIZE RESISTOR IN OHMS, 5% 1/4W.

8. ALL OTHER TESTPOINTS MEASURED WITH A 1M $\Omega$  SWEEPWAVE INPUT TO VIBRATO CHANNEL ONLY.

1 2 3 4 5 6 7 8

REVISIONS			
REV.	DESCRIPTION	DATE	APPROVED
A	PR469	20-JUL-00	MCU
B	EC 2539	24-OCT-00	MCU



SERVICE DIAGRAM  
DATE: 10-24-00  
DATABASE: Z4892PCB

THIS DRAWING CONTAINS INFORMATION OF A PROPRIETARY NATURE TO FENDER MUSICAL INSTRUMENTS AND IS LOANED TO YOU BY COMPANY AND SHALL NOT BE REPRODUCED OR TRANSMITTED IN ANY FORM OR BY ANY MEANS WITHOUT THE WRITTEN PERMISSION OF FENDER MUSICAL INSTRUMENTS.

**Fender**  
MUSICAL INSTRUMENTS  
Corona, CA U.S.A.

TITLE: SERVICE DIAGRAM, COMBINED (PCB Assy)  
SUPER REVERB AMPLIFIER  
CHECKED BY: HBA  
DATE: 27 OCT 00  
APPROVED BY: HULACHT  
DATE: 10/27/2000  
DRAWN: A. BARRA | CHECK: K. BLUCH  
DATABASE FILE: Z4892PCB

SIZE: D  
DRAWING NUMBER: 0056923000  
REV. B  
RELEASE DATE: 20-JUL-00  
SHEET 2 OF 2

1- SEE SHEET 1 FOR PRIMARY WIRING, TEST CONDITIONS AND TEST POINT VALUES.  
NOTES: (UNLESS OTHERWISE NOTED)

1 2 3 4 5 6 7 8