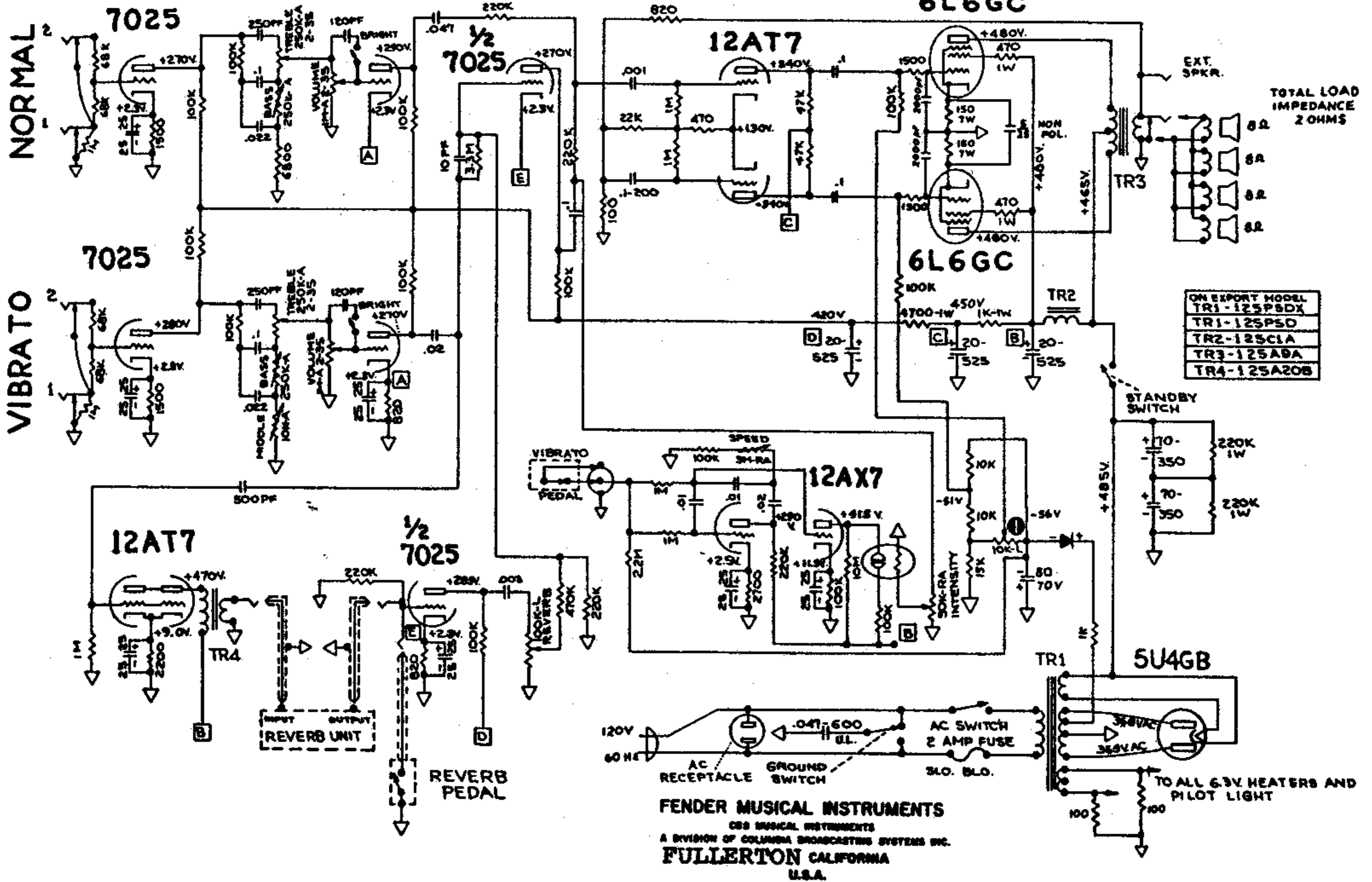


FENDER "SUPER-REVERB-AMPAB 568" SCHEMATIC NOTICE

THIS PRODUCT MANUFACTURED UNDER ONE OR MORE OF THE FOLLOWING U.S. PATENTS-
CIRCUIT PATENT #2817708, #2973481
DESIGN PATENT # 192859
PATENTS PENDING

- 1- VOLTAGES READ TO GROUND WITH ELECTRONIC VOLTMETER VALUES SHOWN ± OR - 20%
- 2- ALL RESISTORS 1/2 WATT 10% TOLERANCE IF NOT SPECIFIED.
- 3- ALL CAPACITORS AT LEAST 400 VOLT RATING IF NOT SPECIFIED.
- 4- ALL VOLTAGES READ WITH VIBRATO PEDAL GROUNDING AND NO INPUT SIGNAL

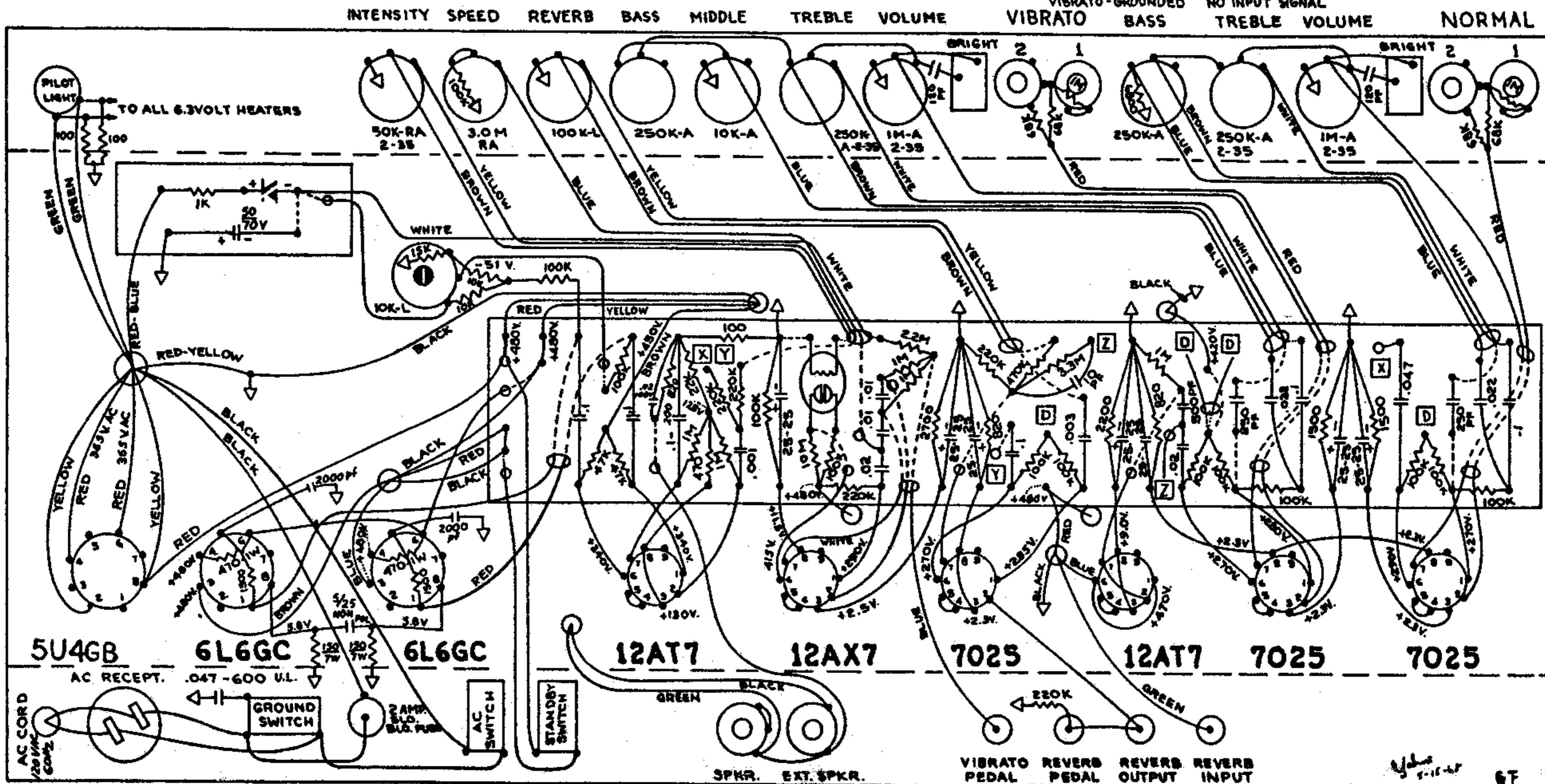


DWG. TITLE			
SCHEMATIC & WIRING DIAGRAM			
SUPER REVERB-AMP			
REV.	REV. NO.	DWG. NO.	
1	D	047746	
SCALE	APPROX.	DATE	SHEET 1 OF 2

FENDER "SUPER REVERB-AMP AB 568" LAYOUT

NOTICE

VOLTAGES READ TO GROUND WITH ELECTRONIC
VOLTMETER VALUES SHOWN +OR - 20%
VIBRATO-GROUNDED NO INPUT SIGNAL



NOTE: ALL RESISTORS 1/2 WATT 10% TOLERANCE, IF NOT SPECIFIED.

NOTE: ALL CAPACITORS AT LEAST 400 VOLT RATING IF NOT SPECIFIED.

FENDER MUSICAL INSTRUMENTS
CBS MUSICAL INSTRUMENTS
A DIVISION OF COLUMBIA BROADCASTING SYSTEMS INC.
FULLERTON CALIFORNIA
U.S.A.

DWG. TITLE			
SCHEMATIC & WIRING DIAGRAM SUPER REVERB-AMP			
Rel. 480	SIZE D	DWG. NO. 047746	REV C
SCALE NONE	MODEL TYPE TYPE SUPER REVERB AMP	SHEET 2 OF 2	