

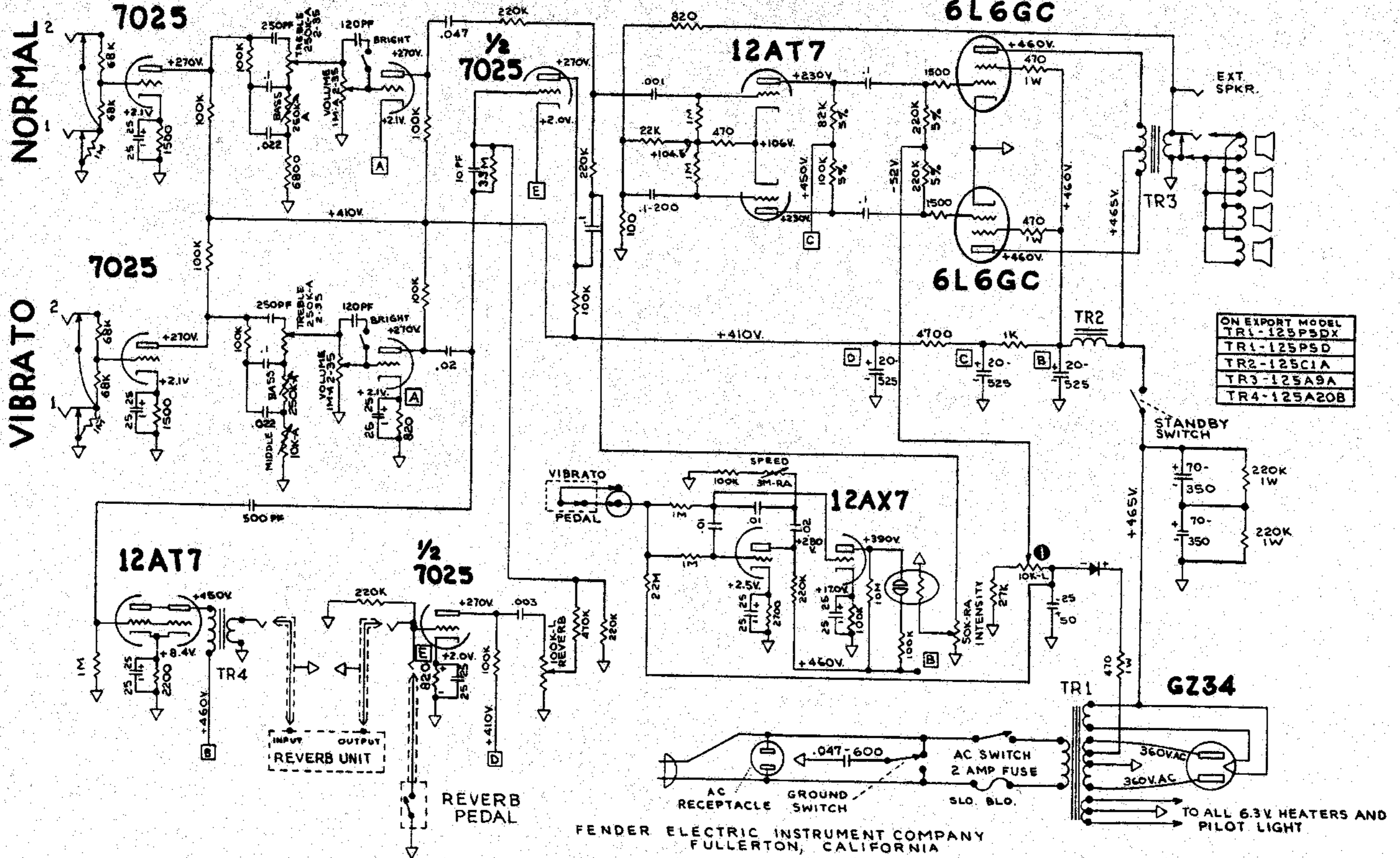
FENDER "SUPER-REVERB-AMP AB 763" SCHEMATIC

NOTICE

THIS PRODUCT MANUFACTURED UNDER ONE OR MORE OF THE FOLLOWING U.S. PATENTS -
 CIRCUIT PATENT #2817708, #2973681
 DESIGN PATENT #192859
 PATENTS PENDING

C - FD

- 1 - VOLTAGES READ TO GROUND WITH ELECTRONIC VOLTMETER VALUES SHOWN, + OR - 20%
- 2 - ALL RESISTORS 1/2 WATT, 10% TOLERANCE IF NOT SPECIFIED
- 3 - ALL CAPACITORS AT LEAST 400 VOLT RATING IF NOT SPECIFIED

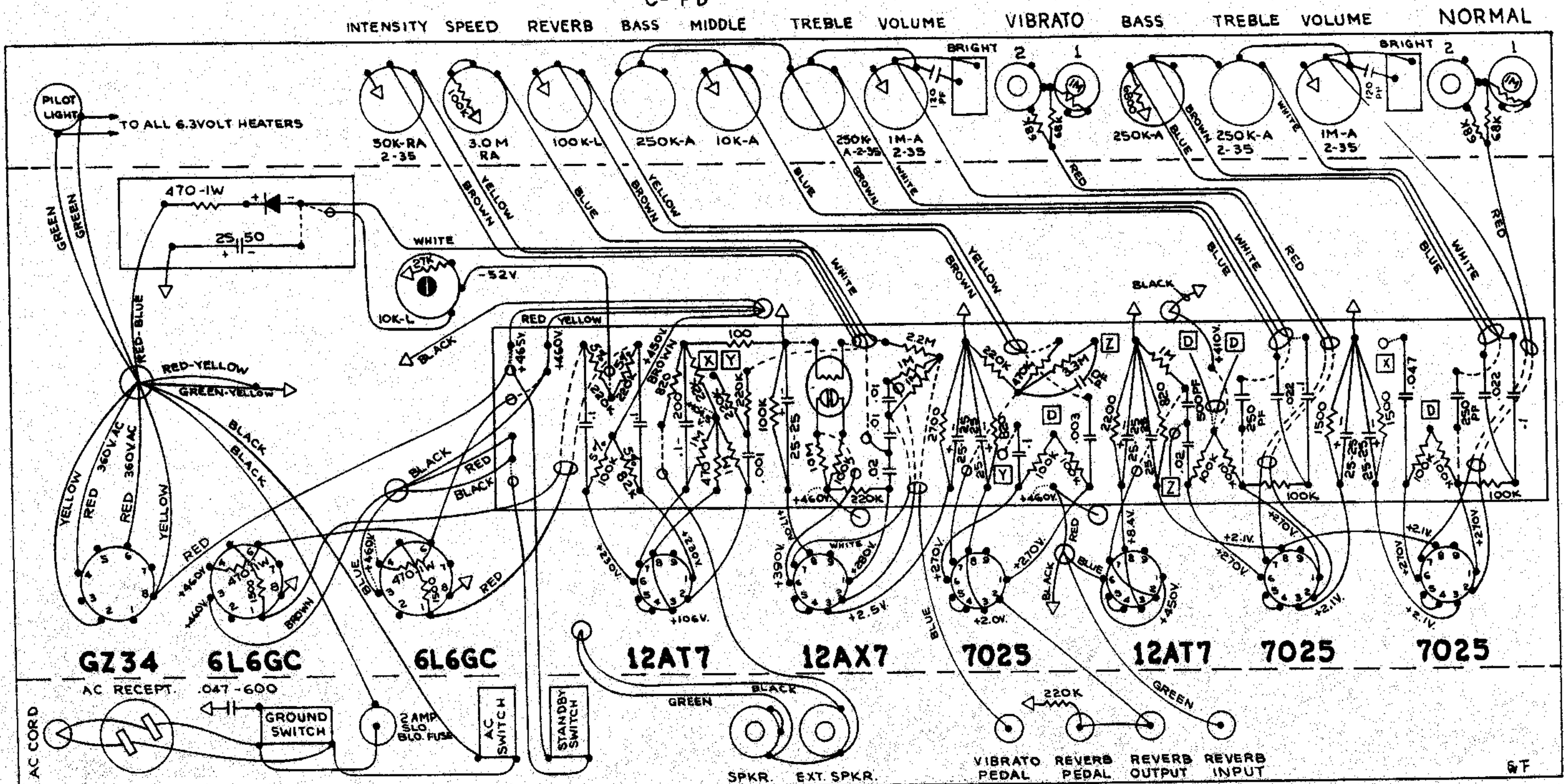


FENDER ELECTRIC INSTRUMENT COMPANY
 FULLERTON, CALIFORNIA

FENDER "SUPER REVERB-AMP AB 763" LAYOUT

NOTICE

VOLTAGES READ TO GROUND WITH ELECTRONIC
VOLTMETER VALUES SHOWN +OR - 20%.



NOTE: ALL RESISTORS 1/2 WATT 10% TOLERANCE, IF NOT SPECIFIED.

NOTE: ALL CAPACITORS AT LEAST 400 VOLT RATING IF NOT SPECIFIED.

FENDER ELECTRIC INSTRUMENT COMPANY
FULLERTON, CALIFORNIA