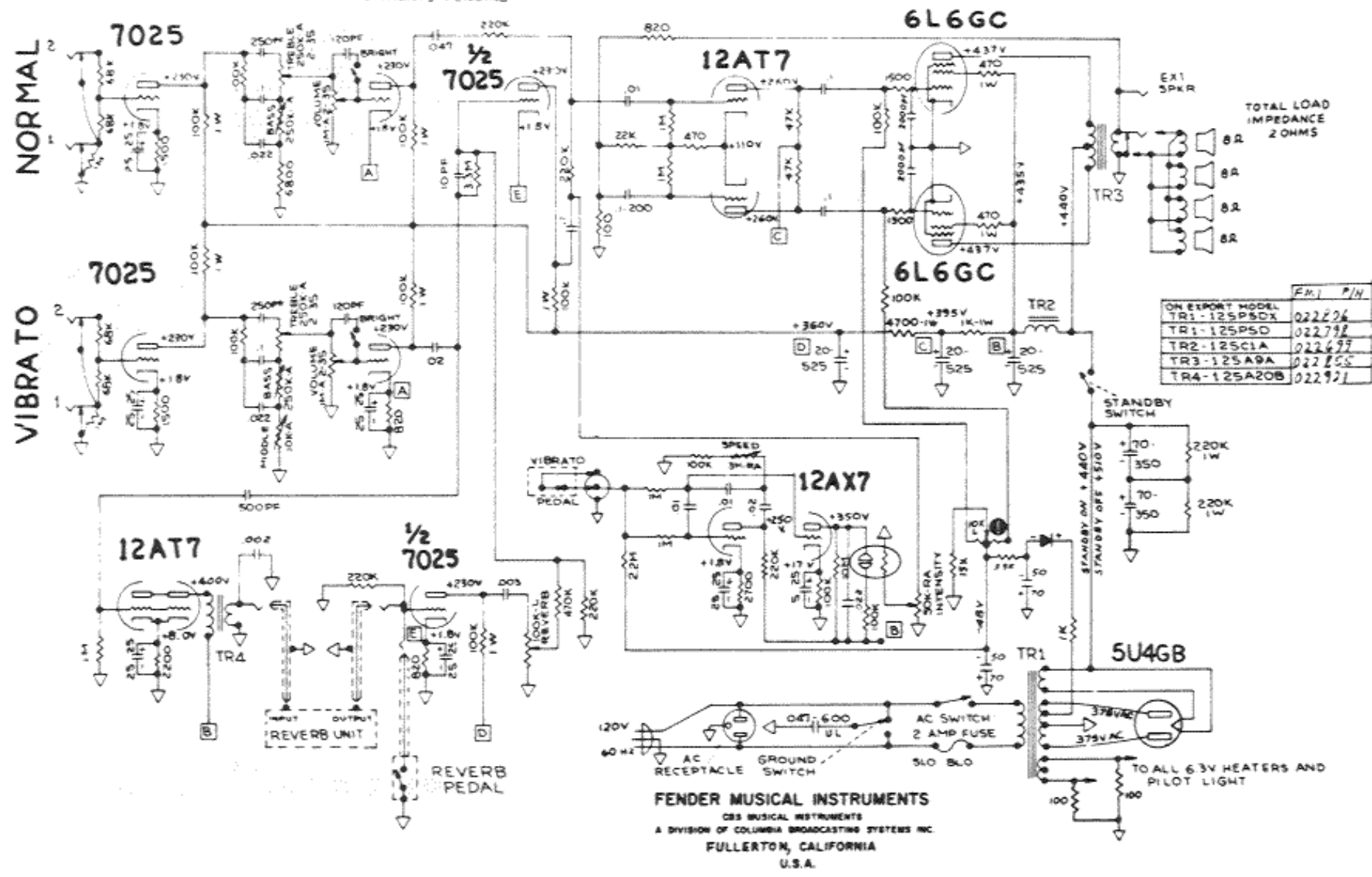


FENDER "SUPER-REVERB-AMP AA270" SCHEMATIC NOTICE

THIS PRODUCT MANUFACTURED UNDER ONE OR MORE OF THE FOLLOWING U.S. PATENTS:
 CIRCUIT PATENT #2817708, #2973681
 DESIGN PATENT #192859
 PATENTS PENDING

1. VOLTAGES READ TO GROUND WITH ELECTRONIC VOLTMETER
2. ALL RESISTORS 1/2 WATT 10% TOLERANCE IF NOT SPECIFIED
3. ALL CAPACITORS AT LEAST 400 VOLT RATING IF NOT SPECIFIED
4. ALL VOLTAGES READ WITH VIBRATO PEDAL GROUNDING AND NO INPUT SIGNAL



FENDER MUSICAL INSTRUMENTS
 CBS MUSICAL INSTRUMENTS
 A DIVISION OF COLUMBIA BROADCASTING SYSTEMS INC.
 FULLERTON, CALIFORNIA
 U.S.A.