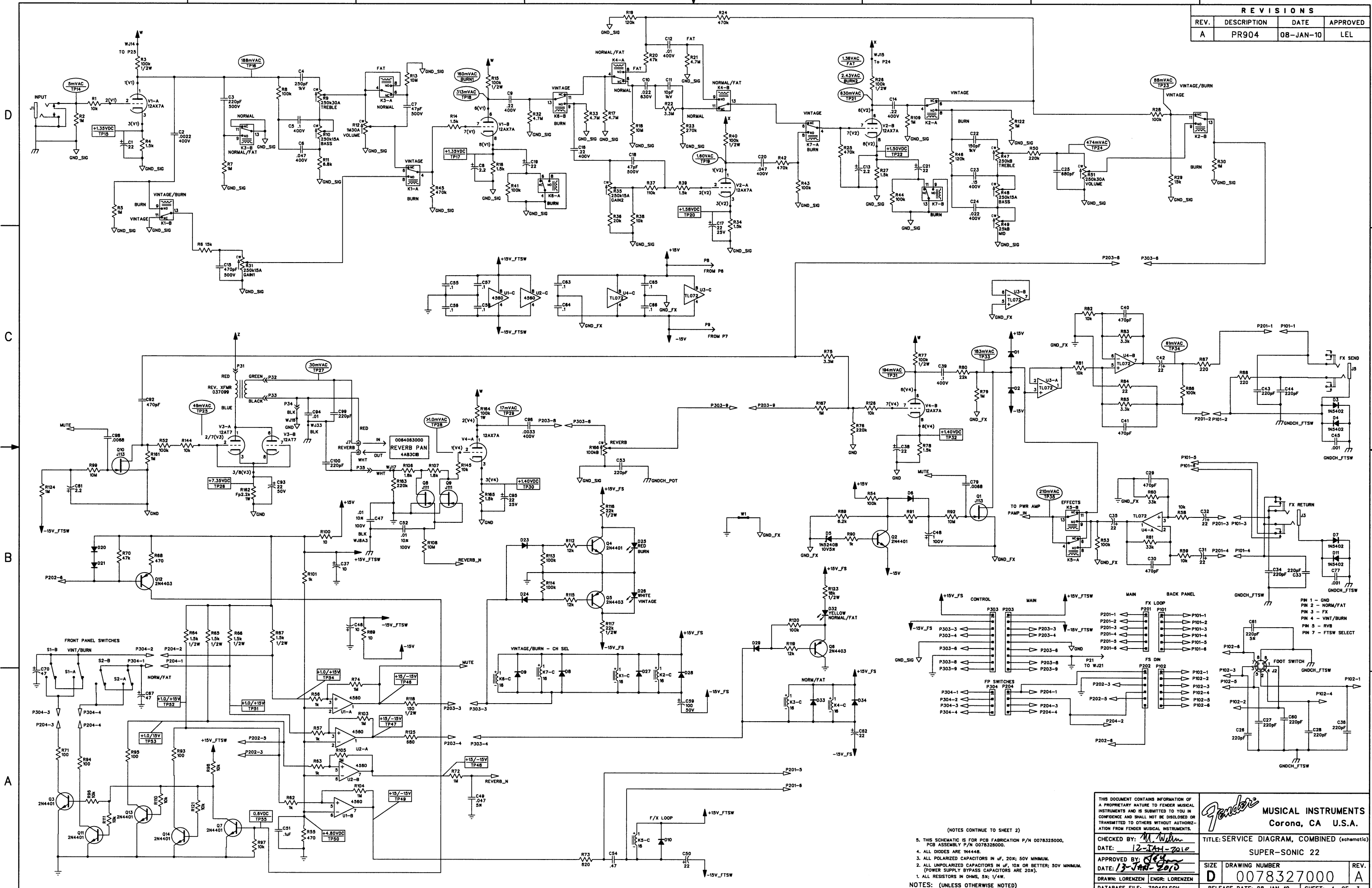


REVISIONS			
REV.	DESCRIPTION	DATE	APPROVED
A	PR904	08-JAN-10	LEL



THIS DOCUMENT CONTAINS INFORMATION OF A PROPRIETARY NATURE TO FENDER MUSICAL INSTRUMENTS AND IS SUBMITTED TO YOU IN CONFIDENCE AND SHALL NOT BE DISCLOSED OR TRANSMITTED TO OTHERS WITHOUT AUTHORIZATION FROM FENDER MUSICAL INSTRUMENTS.

(NOTES CONTINUE TO SHEET 2)

5. THIS SCHEMATIC IS FOR PCB FABRICATION P/N 0078325000, PCB ASSEMBLY P/N 0078326000.

4. ALL DIODES ARE 1N4448.

3. ALL POLARIZED CAPACITORS IN μ F, 20X; 50V MINIMUM.

2. ALL UNPOLARIZED CAPACITORS IN μ F, 10X OR BETTER; 50V MINIMUM. (POWER SUPPLY BYPASS CAPACITORS ARE 20X).

1. ALL RESISTORS IN OHMS, 5X; 1/4W.

NOTES: (UNLESS OTHERWISE NOTED)

CHECKED BY: *M. Wilson*
DATE: 12-24-2010
APPROVED BY: *LEL*
DATE: 13-Jan-2010
DRAWN: LORENZEN ENGR: LORENZEN
DATABASE FILE: Z904S1.SCH

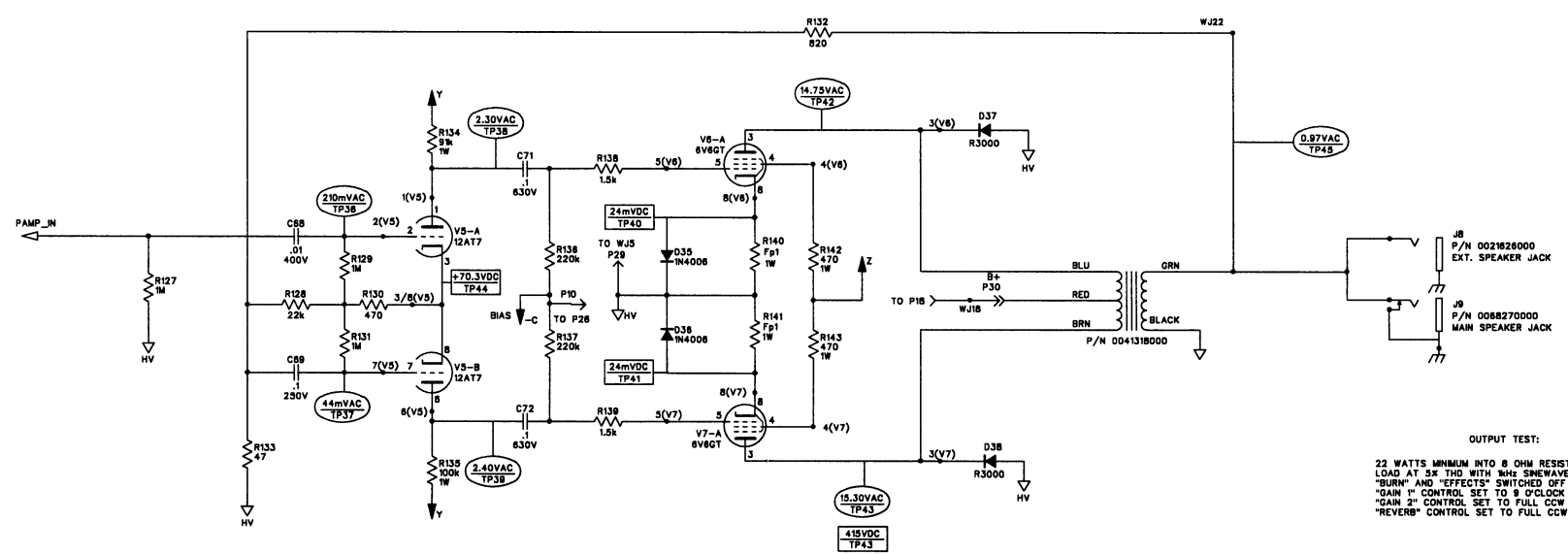
Fender MUSICAL INSTRUMENTS
Corona, CA U.S.A.

TITLE: SERVICE DIAGRAM, COMBINED (schematic)
SUPER-SONIC 22

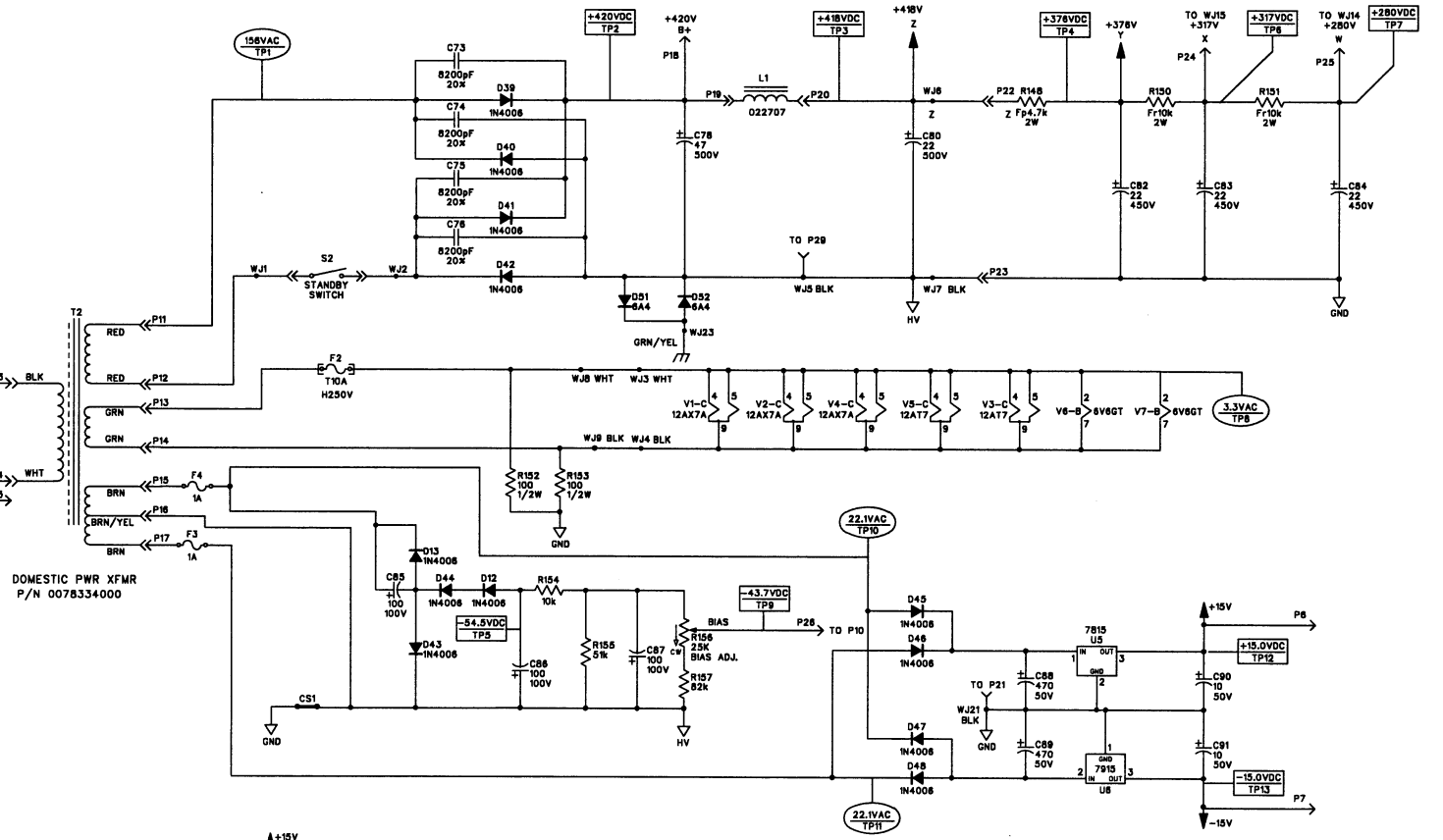
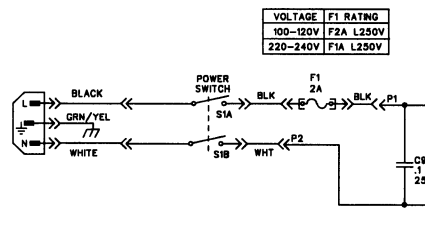
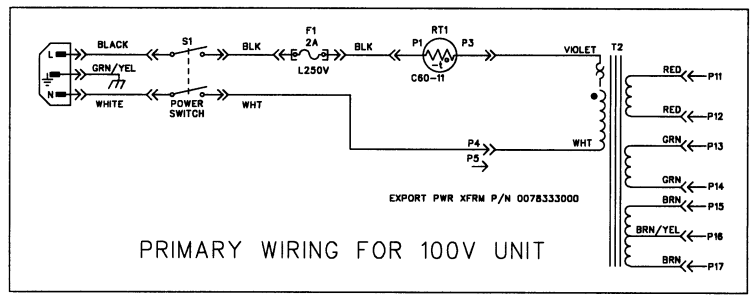
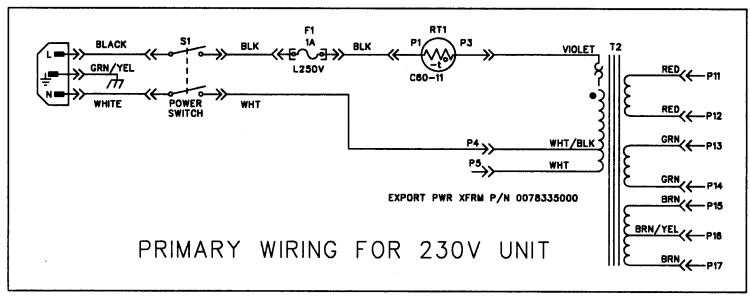
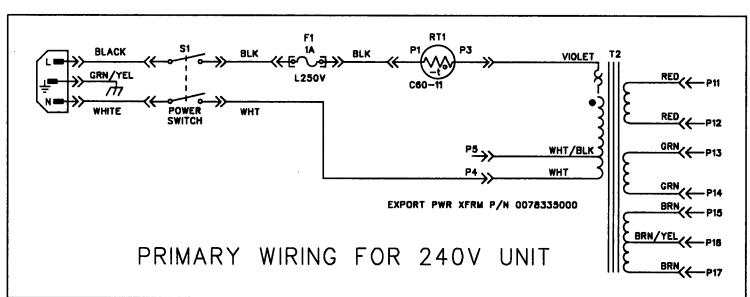
SIZE: D DRAWING NUMBER: 0078327000
REV. A

RELEASE DATE: 08-JAN-10 SHEET: 1 OF 3

REVISIONS			
REV.	DESCRIPTION	DATE	APPROVED
A	PR904	08-JAN-10	LEL



OUTPUT TEST:
 22 WATTS MINIMUM INTO 8 OHM RESISTIVE LOAD AT 3% THD WITH BHS SINEWAVE INPUT AT J1.
 GAIN 1 CONTROL SET TO 9 O'CLOCK POSITION
 GAIN 2 CONTROL SET TO FULL CCW POSITION
 REVERB CONTROL SET TO FULL CCW POSITION



6. ALL VOLTAGES MEASURED WITH RESPECT TO GROUND USING A DVM OF AT LEAST 10 MΩ AC INPUT IMPEDANCE AND 10M Ω DC IMPEDANCE. VOLTAGE MAY VARY +/- 20%.

INITIAL TEST CONDITIONS:
 UNIT AT RATED LINE VOLTAGE
 ALL POSB ARE CONNECTED TOGETHER, INSTALLED IN THE CHASSIS
 REVERB PAN 0054083000 CONNECTED AT J7
 8Ω RESISTIVE LOAD CONNECTED TO J9

BURN SWITCHED OFF, *EFFECTS* SWITCHED ON WHEN USING FOOTSWITCH
 GAIN 1 CONTROL SET TO 9 O'CLOCK POSITION
 GAIN 2 CONTROL SET TO FULL CCW POSITION
 REVERB CONTROL SET TO FULL CCW POSITION

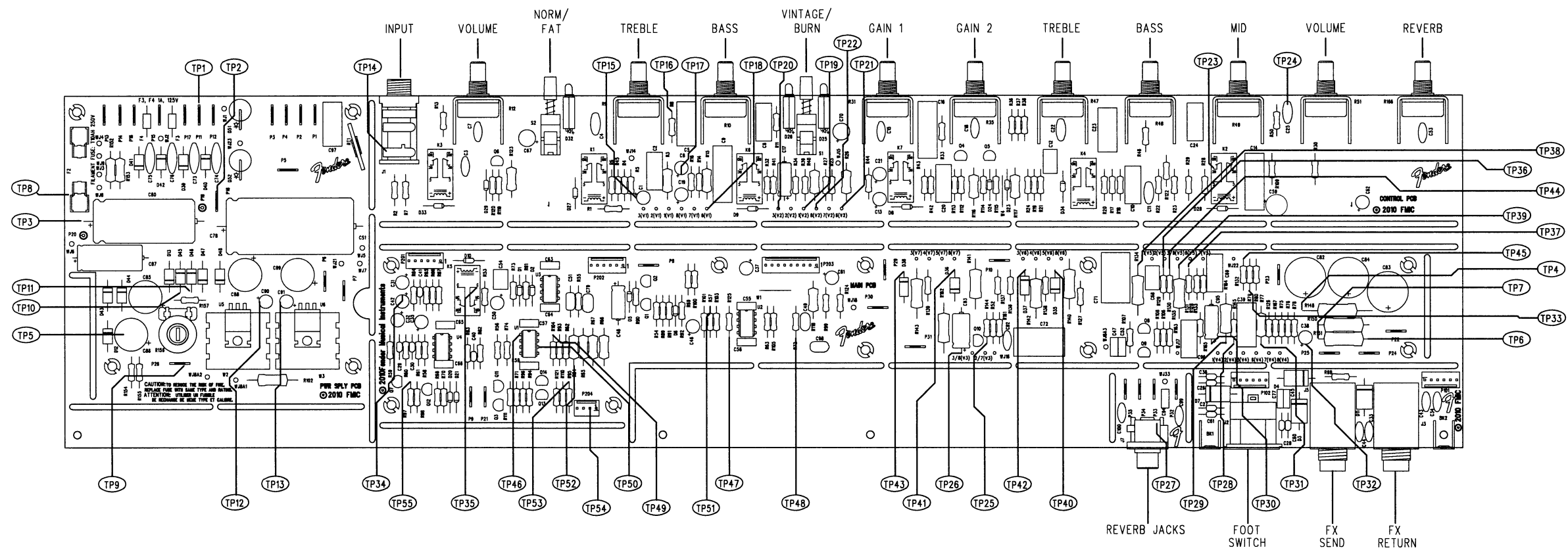
ALL OTHER CONTROLS SET TO 12 O'CLOCK POSITION
 BIAS CONTROL R156 SET TO -43.7VDC (OR 24mV AT BOTH TP40 AND TP41)
 ALL DC VOLTAGE MEASURED WITH NO INPUT SIGNAL
 ALL AC VOLTAGES MEASURED WITH 5mV, 1kHz SINEWAVE INPUT SIGNAL AT J1

ADDITIONAL TEST CONDITIONS:
 TP18, 19 AND 21, *BURN* SHOULD BE SWITCHED ON.
 TP21, *FAT* SHOULD BE SWITCHED ON.
 TP31 SET *REVERB* CONTROL TO 12 O'CLOCK.

THIS DOCUMENT CONTAINS INFORMATION OF A PROPRIETARY NATURE TO FENDER MUSICAL INSTRUMENTS AND IS SUBMITTED TO YOU IN CONFIDENCE AND SHALL NOT BE DISCLOSED OR TRANSMITTED TO OTHERS WITHOUT AUTHORIZATION FROM FENDER MUSICAL INSTRUMENTS.		Fender MUSICAL INSTRUMENTS Corona, CA U.S.A.	
CHECKED BY: <i>M. Miller</i>	TITLE: SERVICE DIAGRAM, COMBINED (schematic)		
DATE: <i>1/12/2010</i>	SUPER-SONIC 22		
APPROVED BY: <i>[Signature]</i>	SIZE: D	DRAWING NUMBER: 0078327000	REV. A
DATE: <i>1/12/2010</i>	DRAWN: LORENZEN ENGR: LORENZEN		RELEASE DATE: 08-JAN-10 SHEET: 2 OF 3
DATABASE FILE: Z90451.SCH			

NOTES: (CONT. FROM SHEET 1)

REVISIONS			
REV.	DESCRIPTION	DATE	APPROVED
A	PR904	08-JAN-10	LEL



F.M.C./D.W.C. SERVICE DIAGRAM
 DATABASE: Z904P1.PCB DATE: 08-JAN-10

1. SEE SHEET 1-2 OF 3 FOR TEST CONDITIONS AND TEST POINT VALUES.

NOTES: (UNLESS OTHERWISE NOTED)

THIS DOCUMENT CONTAINS INFORMATION OF A PROPRIETARY NATURE TO FENDER MUSICAL INSTRUMENTS AND IS SUBMITTED TO YOU IN CONFIDENCE AND SHALL NOT BE DISCLOSED OR TRANSMITTED TO OTHERS WITHOUT AUTHORIZATION FROM FENDER MUSICAL INSTRUMENTS.		MUSICAL INSTRUMENTS Corona, CA U.S.A.	
CHECKED BY: <i>Mr. M...</i> DATE: 12-24-2010		TITLE: SERVICE DIAGRAM, COMBINED (schematic) SUPER-SONIC 22	
APPROVED BY: <i>[Signature]</i> DATE: 12-24-2010		SIZE: D	DRAWING NUMBER: 0078327000
DRAWN: HAN LE	ENGR: L. LORENZEN	RELEASE DATE: 08-JAN-10	REV. A
DATABASE FILE: Z904P1.PCB		SHEET 3 OF 3	