

FENDER "TREMOLUX" SCHEMATIC

MODEL 669-B

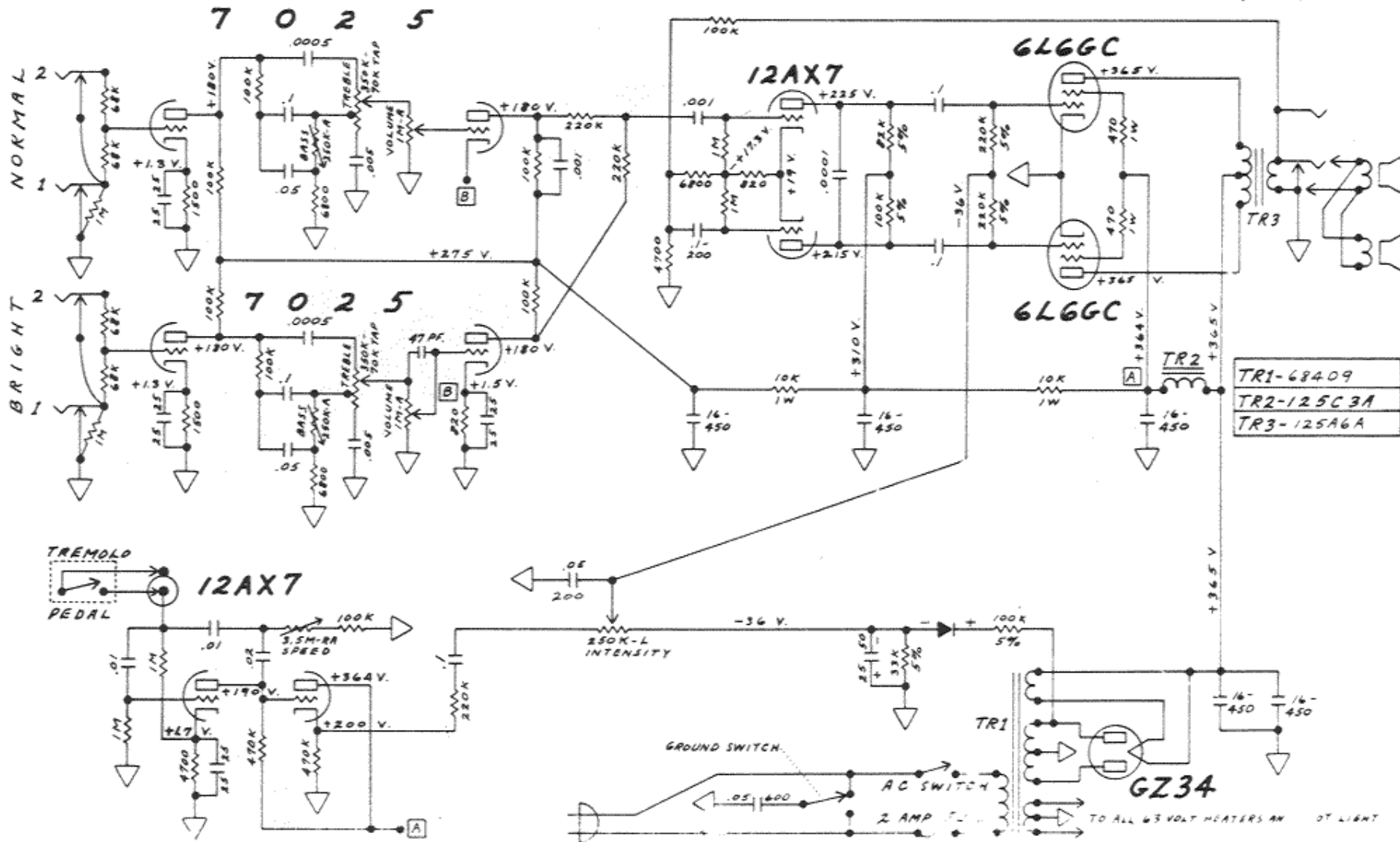
P/B

C-FB

NOTICE

- 1- VOLTAGES READ TO GROUND WITH ELECTRONIC VOLTMETER. VALUES SHOWN + OR - 20%.
- 2- ALL RESISTORS 1/2 WATT, 10% TOLERANCE IF NOT SPECIFIED.
- 3- ALL CAPACITORS AT LEAST 400 VOLT RATING IF NOT SPECIFIED.

CIRCUIT PATENT #2817708

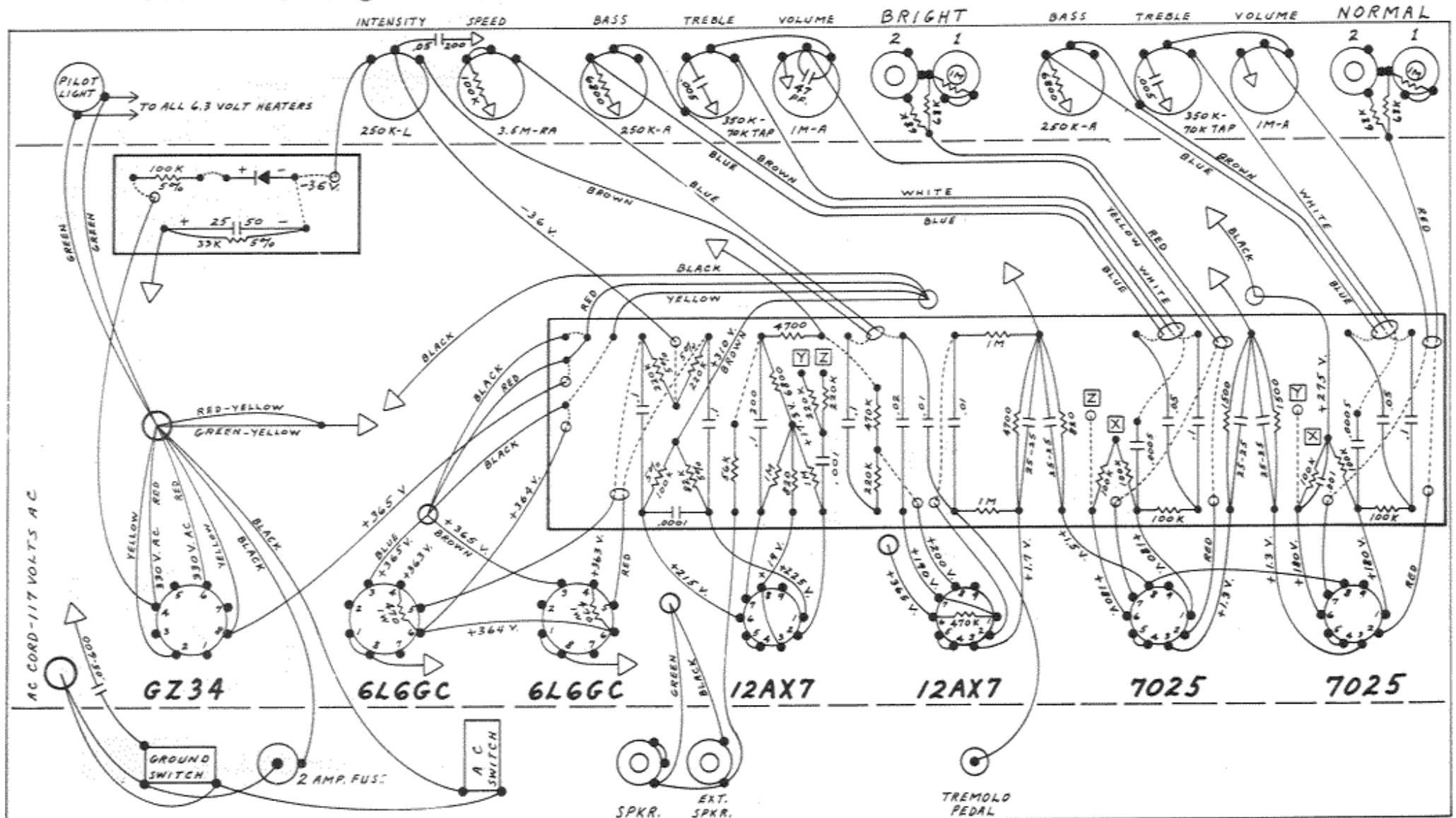


FENDER "TREMOLUX" LAYOUT

MODEL 669-B C-FB

NOTICE

VOLTAGES READ TO GROUND WITH ELECTRONIC VOLTMETER. VALUES SHOWN + OR - 20%.



NOTE - ALL RESISTORS 1/2 WATT, 10% TOLERANCE IF NOT SPECIFIED.

NOTE - ALL CAPACITORS AT LEAST 400 VOLT RATING IF NOT SPECIFIED.

FENDER MUSICAL INSTRUMENTS

A DIVISION OF COLUMBIA RECORDS DISTRIBUTION CORP.

SANTA ANA, CALIFORNIA
U.S.A.