

8 | 7 | 6 | 5 | 4 | 3 | 2 | 1

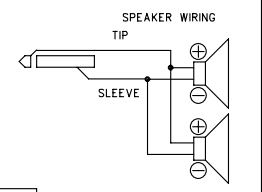
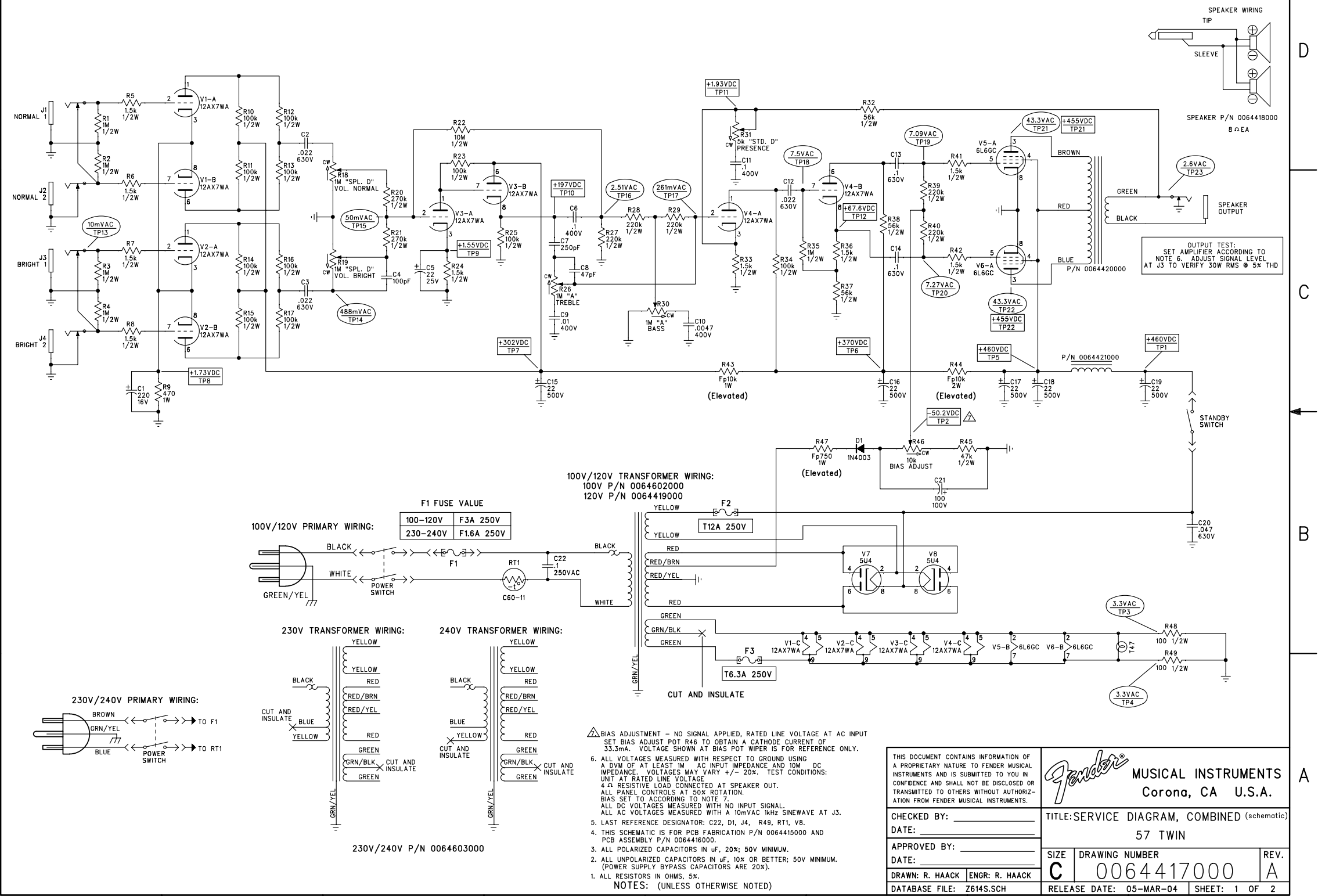
REVISIONS			
REV.	DESCRIPTION	DATE	APPROVED
A	PR614	5-MAR-04	R B H

D

C

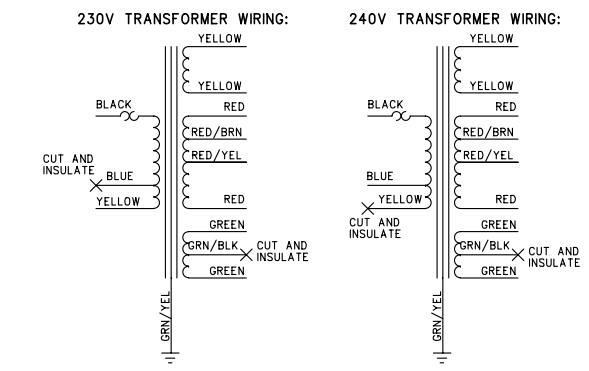
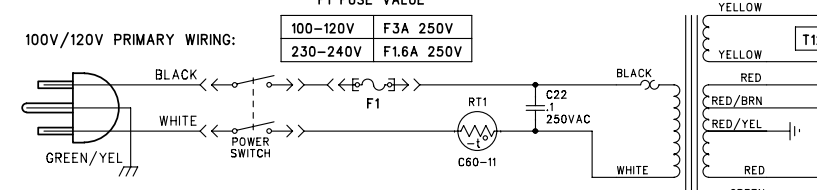
B

A



OUTPUT TEST:  
SET AMPLIFIER ACCORDING TO  
NOTE 6. ADJUST SIGNAL LEVEL  
AT J3 TO VERIFY 30W RMS @ 5% THD

100V/120V TRANSFORMER WIRING:  
100V P/N 0064602000  
120V P/N 0064419000



- BIAS ADJUSTMENT - NO SIGNAL APPLIED, RATED LINE VOLTAGE AT AC INPUT  
SET BIAS ADJUST POT R46 TO OBTAIN A CATHODE CURRENT OF 33.3mA. VOLTAGE SHOWN AT BIAS POT WIPER IS FOR REFERENCE ONLY.
- ALL VOLTAGES MEASURED WITH RESPECT TO GROUND USING A DVM OF AT LEAST 1M Ω AC INPUT IMPEDANCE AND 10M Ω IMPEDANCE. VOLTAGES MAY VARY +/- 20%. TEST CONDITIONS: UNIT AT RATED LINE VOLTAGE. 4 Ω RESISTIVE LOAD CONNECTED AT SPEAKER OUT. ALL PANEL CONTROLS AT 50% ROTATION. BIAS SET TO ACCORDING TO NOTE 7.
  - ALL DC VOLTAGES MEASURED WITH NO INPUT SIGNAL. ALL AC VOLTAGES MEASURED WITH A 10mVAC 1kHz SINEWAVE AT J3.
  - LAST REFERENCE DESIGNATOR: C22, D1, J4, R49, RT1, V8.
  - THIS SCHEMATIC IS FOR PCB FABRICATION P/N 0064415000 AND PCB ASSEMBLY P/N 0064418000.
  - ALL POLARIZED CAPACITORS IN μF, 20% MINIMUM.
  - ALL UNPOLARIZED CAPACITORS IN μF, 10% OR BETTER; 50V MINIMUM. (POWER SUPPLY BYPASS CAPACITORS ARE 20%).
  - ALL RESISTORS IN OHMS, 5%.

NOTES: (UNLESS OTHERWISE NOTED)

THIS DOCUMENT CONTAINS INFORMATION OF A PROPRIETARY NATURE TO FENDER MUSICAL INSTRUMENTS AND IS SUBMITTED TO YOU IN CONFIDENCE AND SHALL NOT BE DISCLOSED OR TRANSMITTED TO OTHERS WITHOUT AUTHORIZATION FROM FENDER MUSICAL INSTRUMENTS.

**Fender** MUSICAL INSTRUMENTS  
Corona, CA U.S.A.

CHECKED BY: \_\_\_\_\_  
DATE: \_\_\_\_\_

APPROVED BY: \_\_\_\_\_  
DATE: \_\_\_\_\_  
DRAWN: R. HAACK ENGR: R. HAACK  
DATABASE FILE: Z614S.SCH

TITLE: SERVICE DIAGRAM, COMBINED (schematic)  
57 TWIN

SIZE: C DRAWING NUMBER: 0064417000 REV: A  
RELEASE DATE: 05-MAR-04 SHEET: 1 OF 2

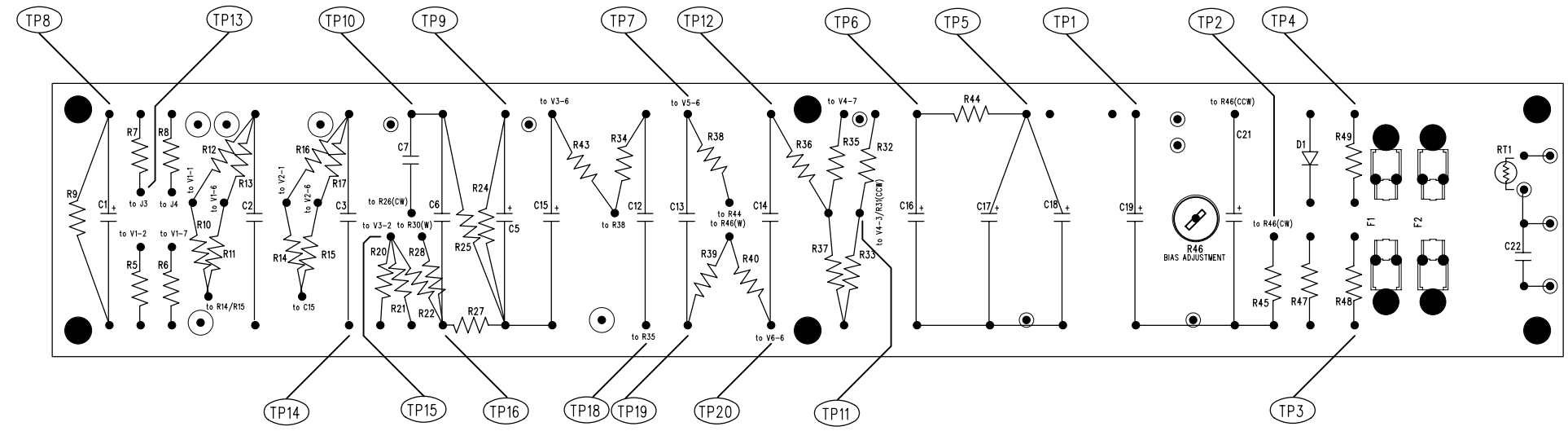
8 | 7 | 6 | 5 | 4 | 3 | 2 | 1

8 | 7 | 6 | 5 | 4 | 3 | 2 | 1

REVISIONS			
REV.	DESCRIPTION	DATE	APPROVED
A	PR614	05-MAR-04	R B H


D  
C  
B  
A

D  
C  
B  
A

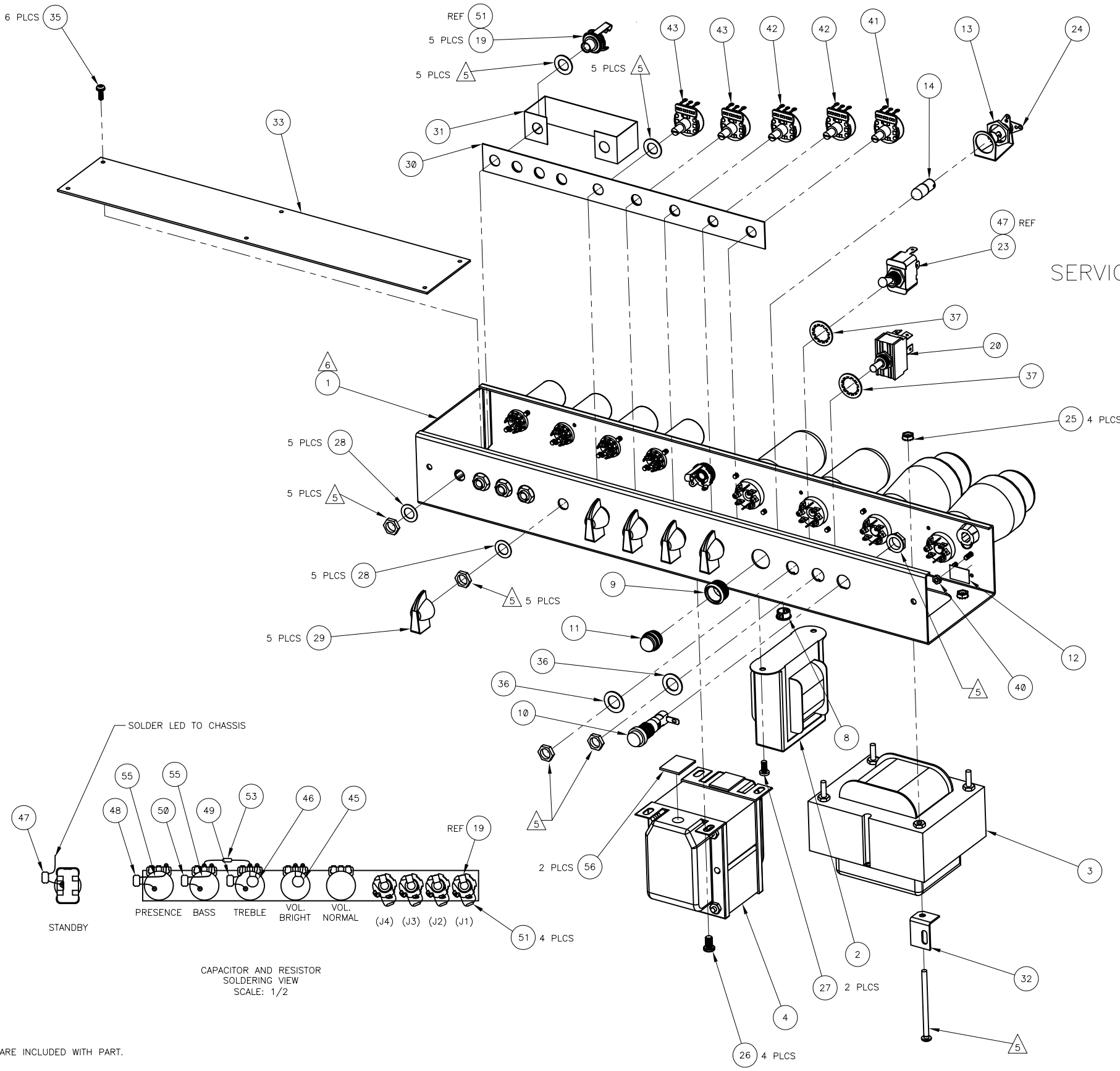


FILM/DWG: SERVICE DIAGRAM  
 DATABASE: Z614P.PCB DATE: 05-MAR-04

2. SEE PAGE 1 FOR NOTES AND TEST CONDITIONS  
 1. WIRES NOT SHOWN FOR CLARITY  
 NOTES: (UNLESS OTHERWISE NOTED)

THIS DOCUMENT CONTAINS INFORMATION OF A PROPRIETARY NATURE TO FENDER MUSICAL INSTRUMENTS AND IS SUBMITTED TO YOU IN CONFIDENCE AND SHALL NOT BE DISCLOSED OR TRANSMITTED TO OTHERS WITHOUT AUTHORIZATION FROM FENDER MUSICAL INSTRUMENTS.		 <b>MUSICAL INSTRUMENTS</b> Corona, CA U.S.A.	
CHECKED BY: _____	DATE: _____	TITLE: SERVICE DIAGRAM, COMBINED (PCB assy) 57 TWIN	
APPROVED BY: _____	DATE: _____	SIZE: <b>C</b>	DRAWING NUMBER: 0064417000
DRAWN: R. HAACK	ENGR: R. HAACK	RELEASE DATE: 05-MAR-04	REV. <b>A</b>
DATABASE FILE: Z614P.PCB		SHEET 2 OF 2	

8 | 7 | 6 | 5 | 4 | 3 | 2 | 1



SERVICE MANUAL DOCUMENT  
7/20/2004

(N.S.) = NOT SHOWN

ITEM	QTY	DESCRIPTION
56	AR	FOAM TAPE
55	AR	TUBING 18GA CLEAR PVC-105-18
54	2	RES CF 1/2W 5% 1.5kohm
53	1	RES CF 1/2W 220k 5%
52	1	RES CF 1/2W 100k 5%
51	4	RES CF 1/2W 1 MEG 5%
50	1	CAP PFF .0047uF 400V 10%
49	1	CAP MPF RDL.01uF 400V 10%
48	1	CAP MPF RDL .1uF 400V 10%
47	1	CAP MPF RDL .047uF 630V 10%
46	1	CAP CD 47pF 500V 5%
45	1	CAP CD 100pF 500V 5%
44	1	WIRESSET 57 TWIN (N.S.)
43	2	CONTROL CTS CHS MNT 1M SPL D
42	2	CONTROL CTS CHS MNT 1M A
41	1	CONTROL CTS CHS MNT 5k STD D
40	1	NUT 6-32 HEX EXT LOCK
39		
38	1	CABLE ASSEMBLY PWR
37	2	WASHER,INT TOOTH .500x.815x.04
36	2	WSHR FLAT .473x.750 NI
35	6	SCRW M 6-32x3/8 PHPS BLX ITLW
34	16	SCRW TF 6-32x1/4 PHP ZI
33	1	PCB ASSY 57 TWIN
32	1	BRACKET TRANSFORMER 57 TWIN
31	1	GUARD JACK PHONE 57 TWIN
30	1	STRIP BRASS 57 TWIN
29	5	KNOB CHICKEN HEAD 1/4 SHFT BLK
28	10	WSHR FLAT 3/8x.614 NI (049)
27	2	SCRW TF 8-32x3/8 PHP BLX
26	4	SCRW TF 10-32x3-8 PHP ZI
25	4	NUT KEPS #8-32 ZINC
24	1	HOLDER IDAL LITE ASSY PILOT
23	1	SWITCH TOGGLE SPST W/NUTS
22	1	BUSHING SR .625x.062x37/64 BLK
21	1	SCRW M 6-32x3/8 PHP NI
20	1	SWITCH TOGGLE DPST W/NUTS
19	5	JACK PHONE TIP SHUNT 12A
18	4	TUBE SOCKET 9 PIN
17	4	TUBE SHIELD (099-0723-000)
16	4	TUBE RING UNIVERSAL (277H-2)
15	2	TUBE 6L6GC GE CLONE
14	1	PILOT LIGHT #T47
13	1	NUT HOLDER PILOT LIGHT 1/16-27
12	1	LABEL GROUNDING SEMKO
11	1	JEWEL PILOT LITE RED #20
10	1	FUSE HOLDER
9	1	COLLAR-PILOT LIGHT
8	1	BUSHING SNAP 5/16x17/32 BLK
7	4	TUBE SCKT 8 PN (099-0724-000)
6	4	TUBE 7025/12AX7WA RUSSIAN MADE
5	2	TUBE 5U4GB
4	1	XFMR OUTPUT 57 TWIN
3	1	XFMR POWER 57 TWIN
2	1	CHOKE 57 TWIN
1	1	CHASSIS 57 TWIN
ITEM	QTY	DESCRIPTION

**Fender**  
FENDER MUSICAL INSTRUMENTS CORP.  
CORONA, CALIFORNIA U.S.A.

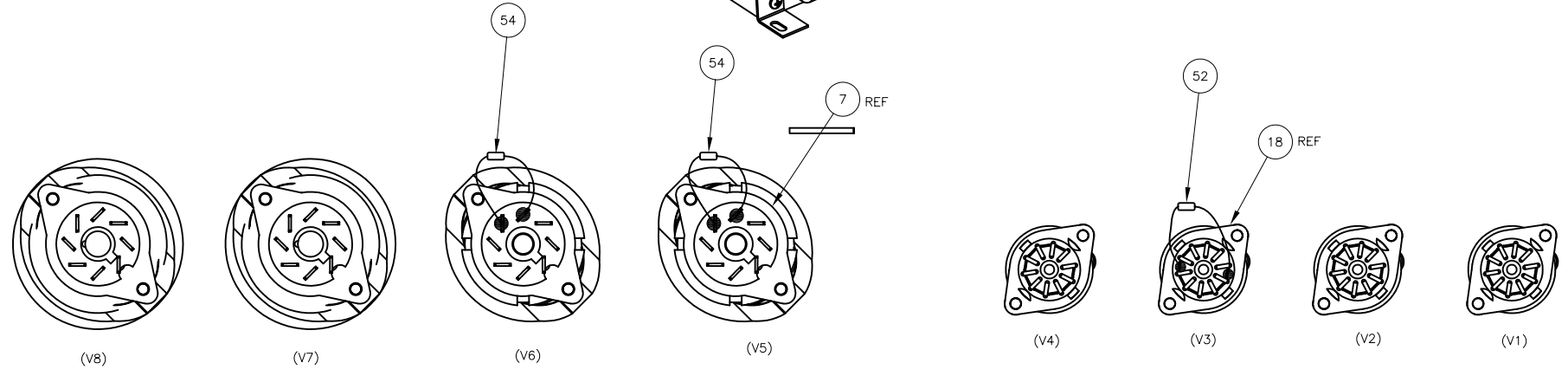
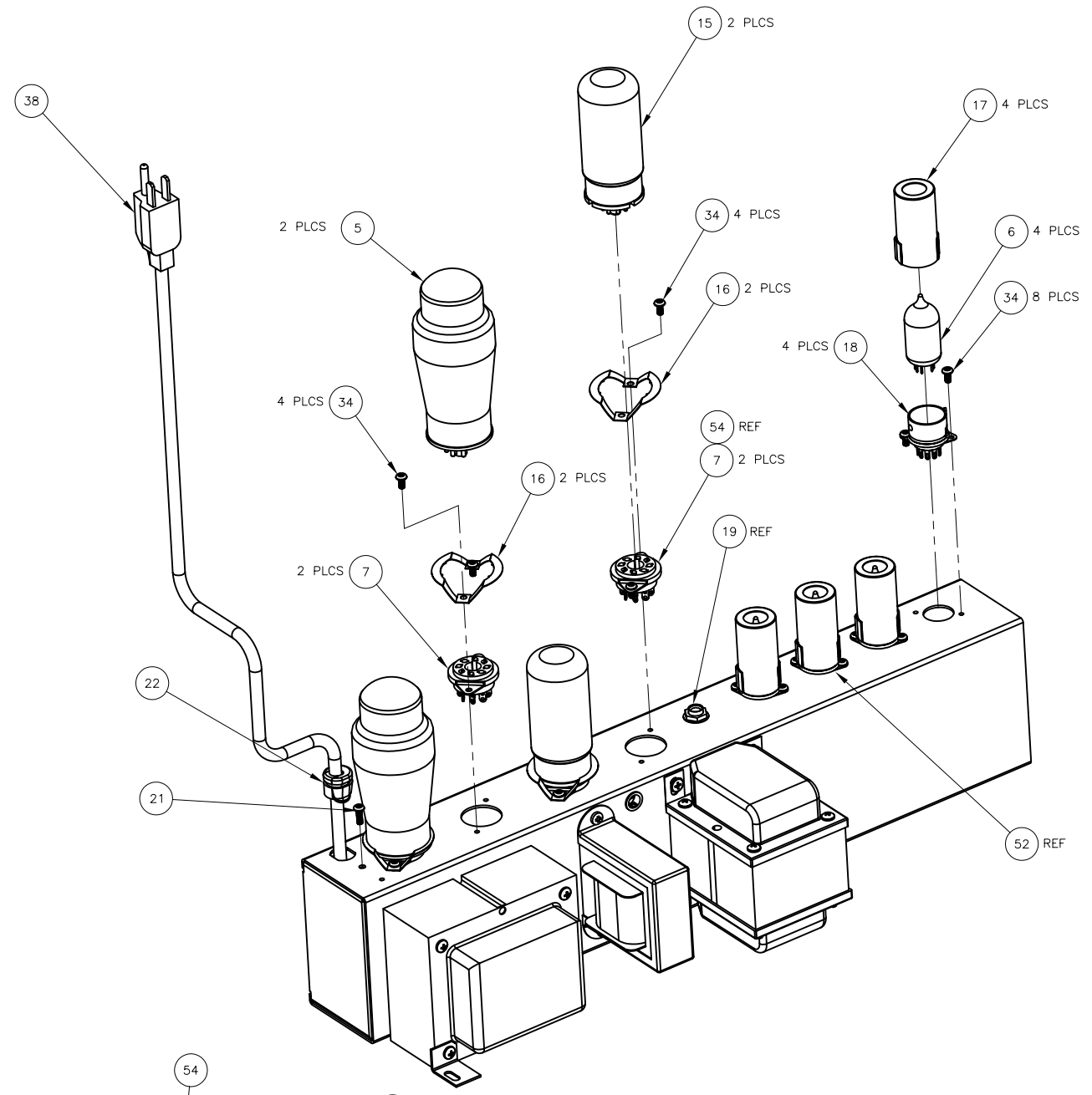
DATE: 12/13/2003

TITLE: CHASSIS ASSEMBLY 57 TWIN

SHEET 1 of 2  
SCALE NONE


SIZE D  
DRAWING NUMBER 0064594000  
REV. C

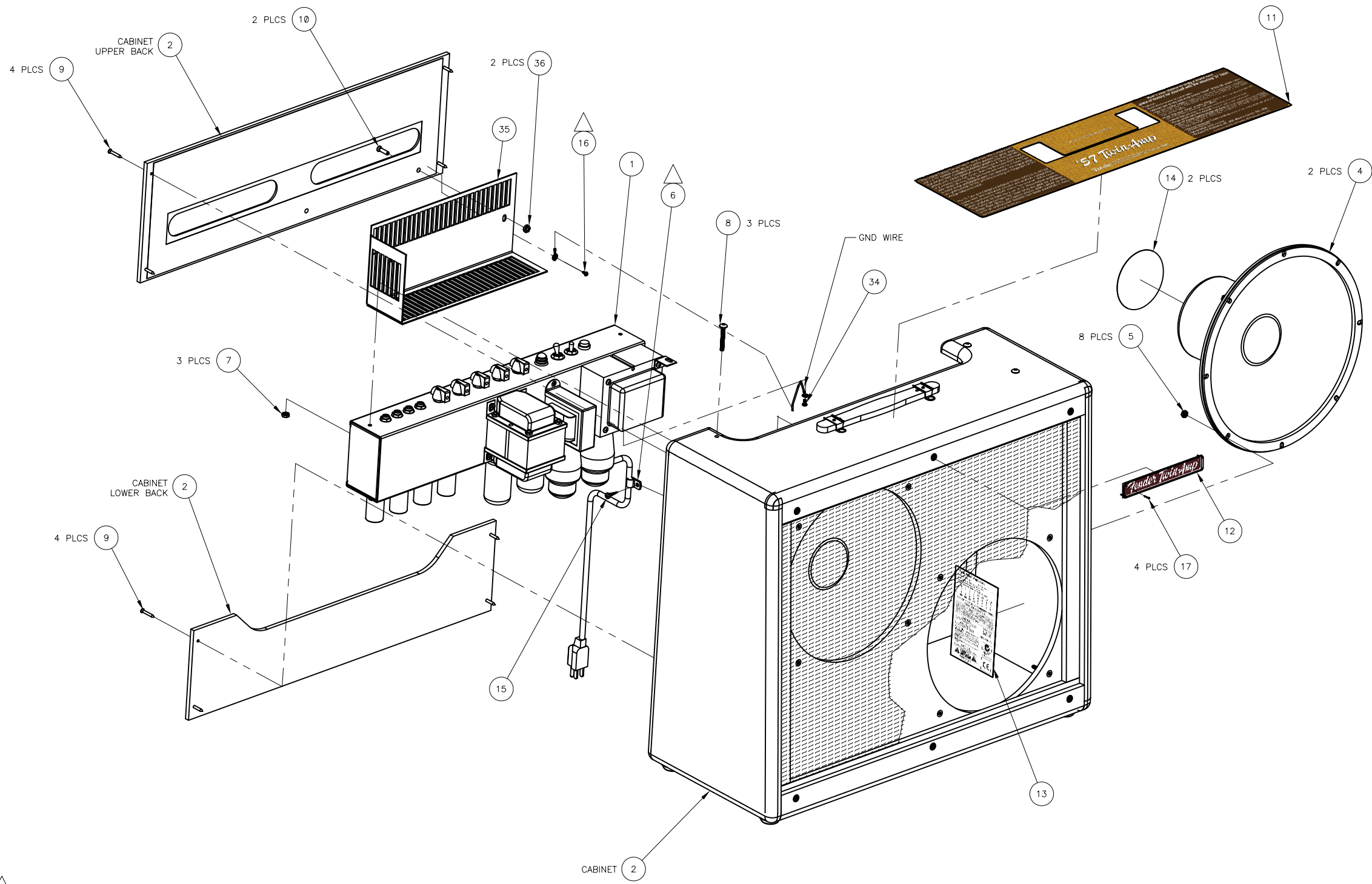
MASTER/ASSEMBLY



RESISTOR SOLDERING VIEW  
SCALE: 1/1

SERVICE MANUAL DOCUMENT  
7/20/2004

ENGINEER		 FENDER MUSICAL INSTRUMENTS CORP. CORONA, CALIFORNIA U.S.A.			
DRAWN					
DATE					
DFT.	ENG.	ENG.	TITLE		
DATE	DATE	DATE	CHASSIS ASSEMBLY 57 TWIN		
APPROVED		SHEET	SIZE	DRAWING NUMBER	REV.
DATE		2 of 2	D	0064594000	C
		SCALE	MASTER/ASSEMBLY		
		NONE			




# SERVICE MANUAL DOCUMENT

7/20/2004

38	1	CARTON INTER 57 TWIN (N.S.)
37	1	HANDLE 9" LEATHER BROWN (N.S.)
36	2	NUT KEPS 10-32 ZINC
35	1	COVER, TUBE 57 TWIN
34	1	SCRW TF 6-32X1/4 PHP ZI
33	1	MANUAL OWNERS 57 TWIN (N.S.)
32	1	WIRESSET END ITEM 57 TWIN (N.S.)
31	1	TAG WARRANTY 5 YR FENDER-NEW (N.S.)
30	1	TAG HANG 100% TUBE CIRCUITRY (N.S.)
29	1	SVC DIAG COMBO 57 TWIN (N.S.)
28	1	STICKER BUMPER FEND SINCE 1946 (N.S.)
27	1	REGISTRATION CARD (N.S.)
26	1	HANG TAG GROOVE TUBE (N.S.)
25	1	EPERANFOAM R CORNER 4-3/4" (N.S.)
24	1	EPERANFOAM L CORNER 4-3/4" (N.S.)
23	14	EPERANFOAM CORNER 4-1/2x4-1/2 (N.S.)
22	1	CARTON OUTER 57 TWIN (N.S.)
21	1	BAG POLY ZIP 10x13 2M (N.S.)
20	1	BAG POLY BOX BTM 23x17x40 .002 (N.S.)
19	1	BAG JIFFY #1 7-1/4x12 (N.S.)
18	1	AMP COVER 57 TWIN (N.S.)
17	4	PIN ESCUTCHEON #18x3/8 NI
16	1	SCRW HI-LO 6x1/4 PHPS ZI
15	1	SCRW PB 8x3/4 PHP ZI
14	2	LABEL ALNICO WEBER 12" 57 TWIN
13	1	LABEL TUBE/SAFETY 57 TWIN
12	1	NAMEPLATE 57 TWIN
11	1	LABEL POP 57 TWIN
10	2	SCRW M 10-32x3/4 THP NI
9	8	SCRW WOOD 6x1 OHP NI
8	3	SCREW M 10-32x1-1/2 THP NI
7	3	NUT KEPS 10-32 ZINC
6	1	CLAMP CABLE NYL SCR WNT 5/16
5	8	NUT KEPS #8-32 ZINC
4	2	SPEAKER ALNICO WEBER 12"
3	1	CABLE ASSY SPKR RT ANG 13-1/2" (N.S.)
2	1	CABINET ASSEMBLY 57 TWIN
1	1	CHASSIS ASSEMBLY 57 TWIN
ITEM	QTY	DESCRIPTION

- 6. SCREW ITEM 6 (CLAMP, CABLE) TO INSIDE SIDE WALL OF CABINET, USING ITEM 15.
- 5. SCREW GROUND WIRE INTO ALUMINUM FOIL OF ITEM 2 (CABINET, UPPER BACK) USING ITEM 16.



FENDER MUSICAL INSTRUMENTS CORP.  
CORONA, CALIFORNIA U.S.A.

DATE			TITLE		
DFT. DATE			57 TWIN		
ENG. DATE			END ITEM ASSEMBLY		
DATE			SHEET 1 of 1	SIZE D	DRAWING NUMBER 8140500000
APPROVED			SCALE NONE	REV. A	MASTER/ASSEMBLY
DATE					