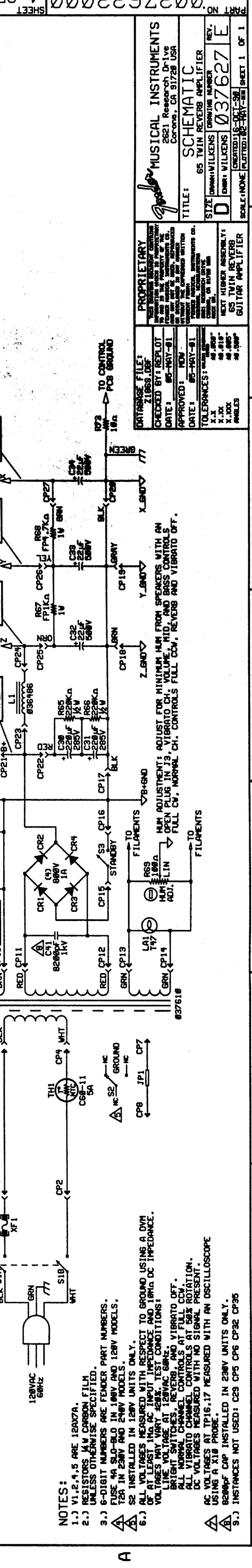
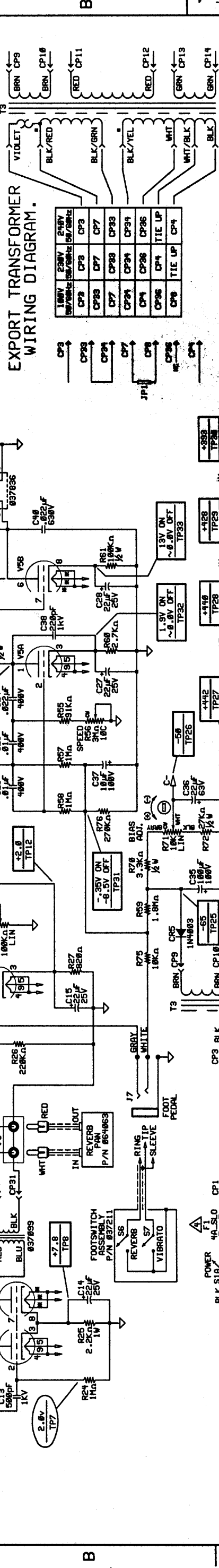
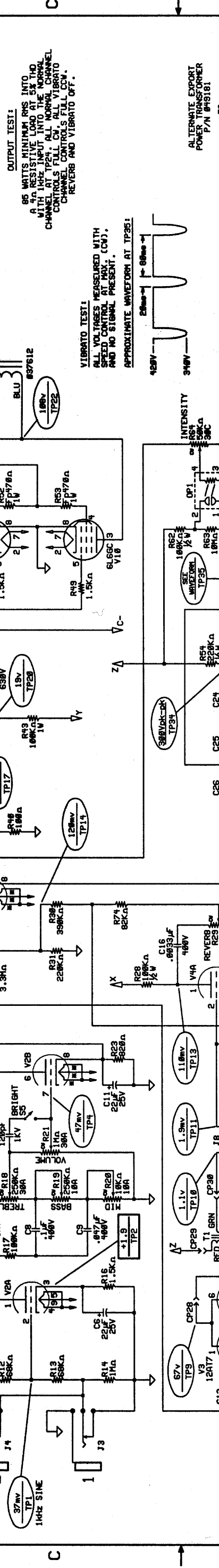
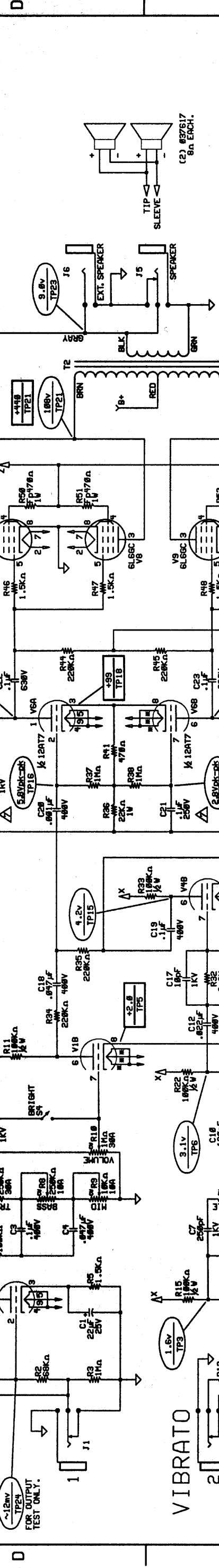
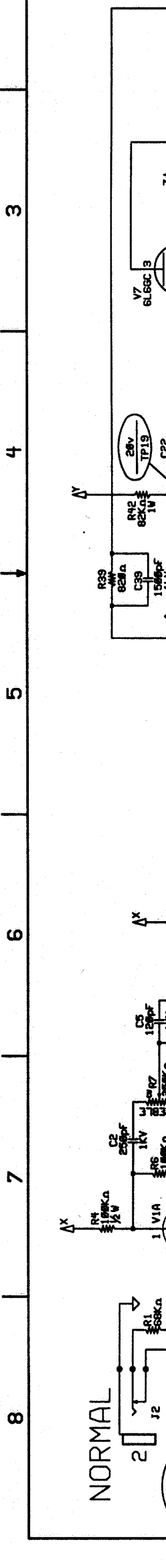
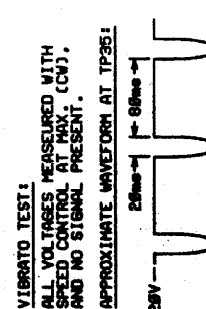


REVISIONS

REV.	DESCRIPTION	DATE	APPROVED
A	RELEASED PR186	88-MAR-91	
B	ECO L02271	88-JUL-91	
C	EC 784	11-SEP-91	
D	EC 1388 / ECO L02897	28-OCT-94	MDW
E	EC 1786	16-OCT-96	MDW



OUTPUT TEST:
85 WATTS MINIMUM RMS INTO A 4Ω RESISTIVE LOAD 5V TPO WITH 100% INPUT INTO THE NORMAL CHANNEL AT TP24. ALL NORMAL CHANNEL CONTROLS FULL CW. ALL VIBRATO CHANNELS FULL CCW. REVERB AND VIBRATO OFF.



EXPORT TRANSFORMER WIRING DIAGRAM.

100V	200V	240V
CP9	CP8	CP3
CP8	CP7	CP7
CP7	CP6	CP3
CP6	CP4	CP4
CP6	CP4	CP6
CP6	CP4	TIE UP
CP6	CP4	TIE UP
CP6	CP4	CP4

- NOTES:**
- V1,2,4,5 ARE 120KΩ.
 - RESISTORS 1/4 CARBON FILM UNLESS OTHERWISE SPECIFIED.
 - 6-DIGIT NUMBERS ARE FENDER PART NUMBERS.
 - FUSE 4A SLO-BLO IN 100V AND 120V MODELS. T2R IN 200V AND 240V MODELS.
 - S2 INSTALLED IN 120V UNITS ONLY. OF AT LEAST 1MΩ AC INPUT IMPEDANCE AND 10MΩ DC IMPEDANCE. VOLTAGES MAY VARY ±20% TEST CONDITIONS!
 - LINE VOLTAGE VARY AT 120V/60Hz. BRIGHT SWITCHES, REVERB, AND VIBRATO OFF. ALL NORMAL CHANNEL CONTROLS AT FULL CW. ALL VIBRATO CHANNEL CONTROLS AT 50% ROTATION. DC VOLTAGES MEASURED WITH NO SIGNAL PRESENT.
 - AC VOLTAGES MEASURED WITH AN OSCILLOSCOPE USING A X10 PROBE.
 - 8200pF CAP INSTALLED IN 200V UNITS ONLY.
 - INSTANCES NOT USED: CP5 CP6 CP32 CP36

MUSICAL INSTRUMENTS
2621 Research Dr. Ives
Corona, CA 91728 USA

SCHEMATIC
65 TWIN REVERB AMPLIFIER
DRAWING NUMBER: 037627
REV. E

PROPRIETARY
THIS DRAWING IS THE PROPERTY OF MUSICAL INSTRUMENTS. IT IS TO BE USED ONLY FOR THE MANUFACTURE OF THE INSTRUMENTS IDENTIFIED HEREIN. IT IS NOT TO BE REPRODUCED, COPIED, OR TRANSMITTED IN ANY FORM OR BY ANY MEANS, ELECTRONIC OR MECHANICAL, INCLUDING PHOTOCOPYING, RECORDING, OR BY ANY INFORMATION STORAGE AND RETRIEVAL SYSTEM.

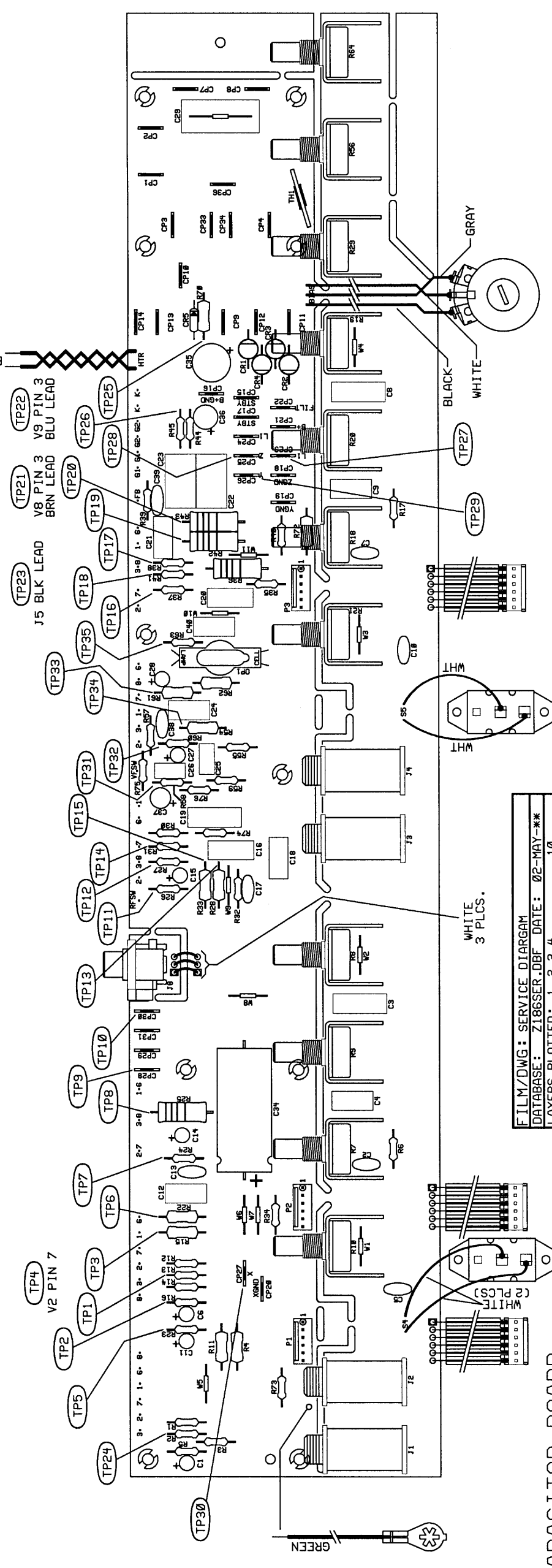
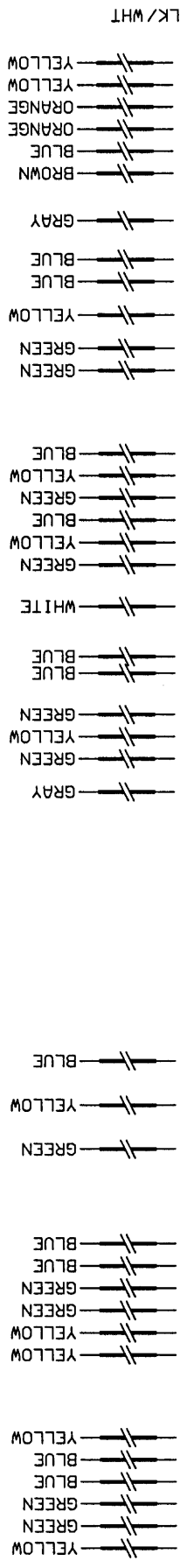
DATE: 85-MAY-91
APPROVED: MDW
DATE: 85-MAY-91

TOLERANCES:
X.XX ±.005"
X.XX ±.010"
X.XX ±.020"
X.XX ±.050"

SIZE: D
SCALE: NONE
DATE: 85-MAY-91
REV.: E

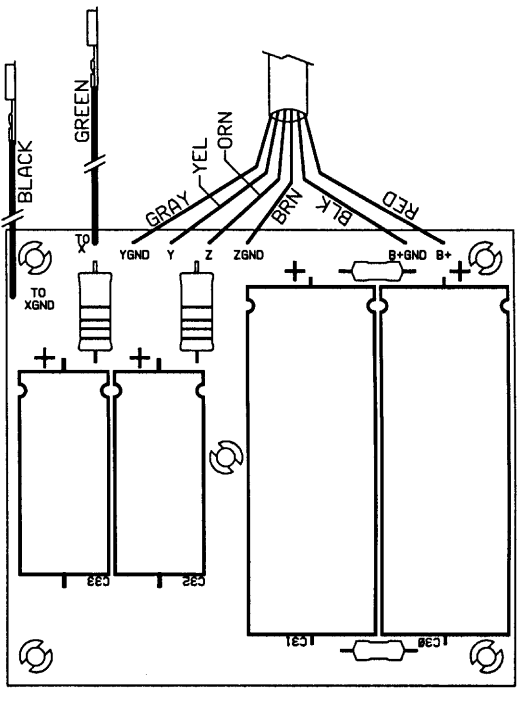
6 5 4 3 2 1

REVISIONS			
ZONE	REV. DESCRIPTION	DATE	APPROVED
A	RELEASED PR 186	3/8/91	
B	ECO L02271	09-JUL-91	
C	EC 784	11-SEP-91	
D	EC 1388 / ECO L02839	24-JAN-95	<i>MW</i>



FILM/DWG: SERVICE DIAGRAM
 DATABASE: Z186SER.DBF DATE: 02-MAY-95
 LAYERS PLOTTED: 1 2 3 4 10 15 18

CAPACITOR BOARD



NOTES:
 1.) PCB SHOWN AS FABRICATED, EXCEPT WITH CAPACITOR BREAK-AWAY BOARD SEPARATED. REV. D REFLECTS THE REMOVAL OF SECONDARY FUSING IN EXPORT UNITS THAT USE POWER TRANSFORMER P/N 049181, AND THE REMOVAL OF THE LINE BYPASS CAPACITOR IN DOMESTIC UNITS.

MUSICAL INSTRUMENTS
 2621 Research Drive
 Corona, CA 91720 USA

TITLE: SERVICE DIAGRAM
 65 TWIN REVERB

SIZE: B
 DRAWN: WILKENS
 ENGR: WILKENS
 DRAWING NUMBER: 037632
 REV. D

SCALE: NONE
 PLOTTED: 02-MAY-95
 SHEET 1 OF 1

PROPRIETARY
 THIS DRAWING DOCUMENT CONTAINS INFORMATION WHICH IS PROPRIETARY TO MUSICAL INSTRUMENTS CO. AND MAY NOT BE USED, REPRODUCED OR DISCLOSED IN ANY MANNER WITHOUT THE EXPRESSED WRITTEN CONSENT OF MUSICAL INSTRUMENTS CO. REGIONAL HEADQUARTERS 2621 RESEARCH DRIVE CORONA, CA 91720 USA STILL BELONGING...

DATABASE FILE: Z186SER.DBF
 CHECKED BY: REPLST
 DATE: 02-MAY-01
 APPROVED: *MW*
 DATE: 02-MAY-01
 TOLERANCES: UNLESS OTHERWISE SPECIFIED
 X.XX
 X.XXX
 ANGLES

6 5 4 3 2 1