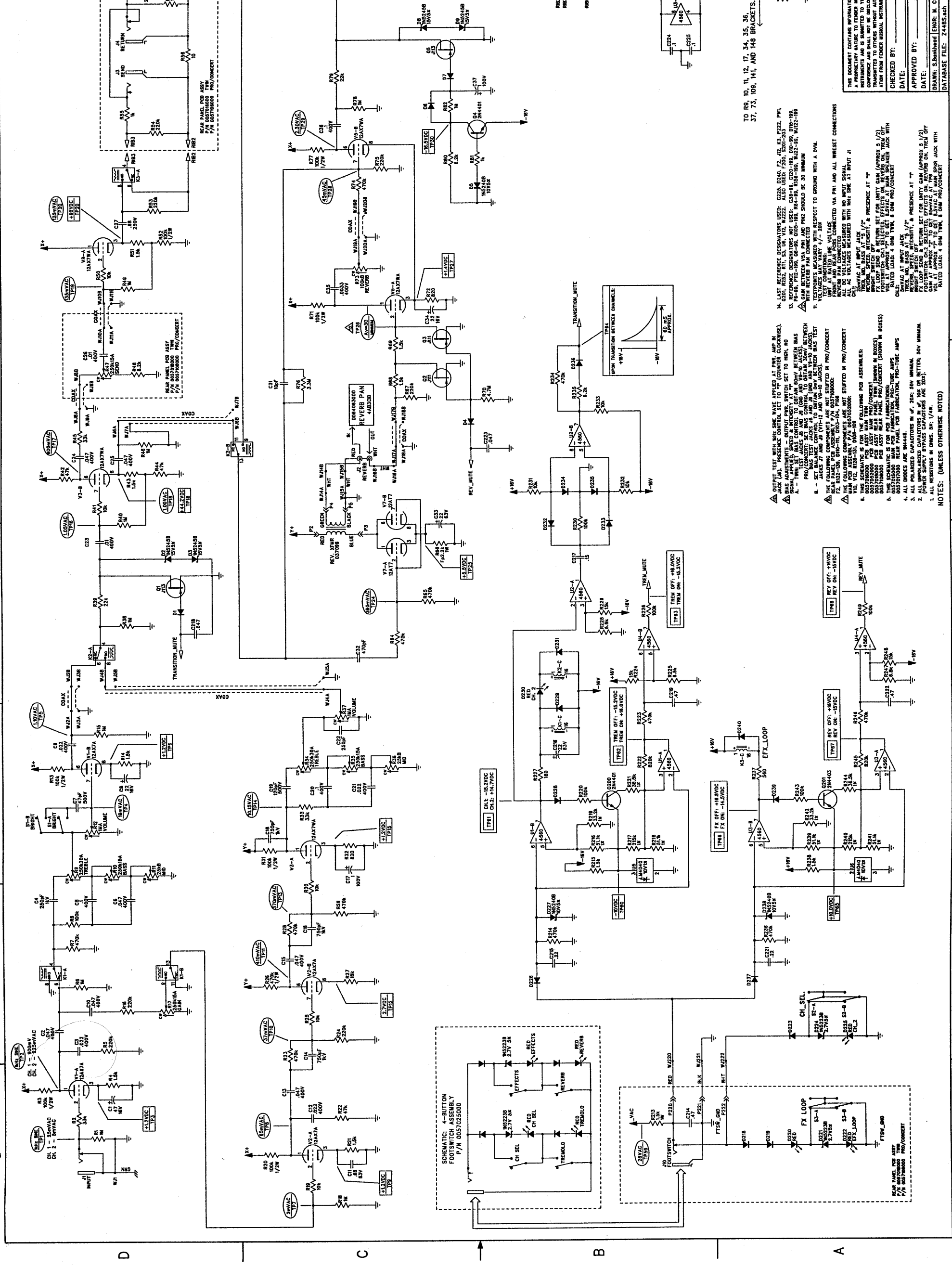


REV.	DESCRIPTION	DATE	APPROVED
A	PR448	16-OCT-00	S.M.B.
B	EC 2606	23-FEB-01	S.M.B.



MUSICAL INSTRUMENTS
Corona, CA USA

TITLE: SERVICE DIAGRAM, COMBINED (+channel)
PRE-AMP

DATE: _____
APPROVED BY: _____
DRAWN: S. BARNHART, ENGR. M. COZZA

SIZE: D 0057014000
REV: B

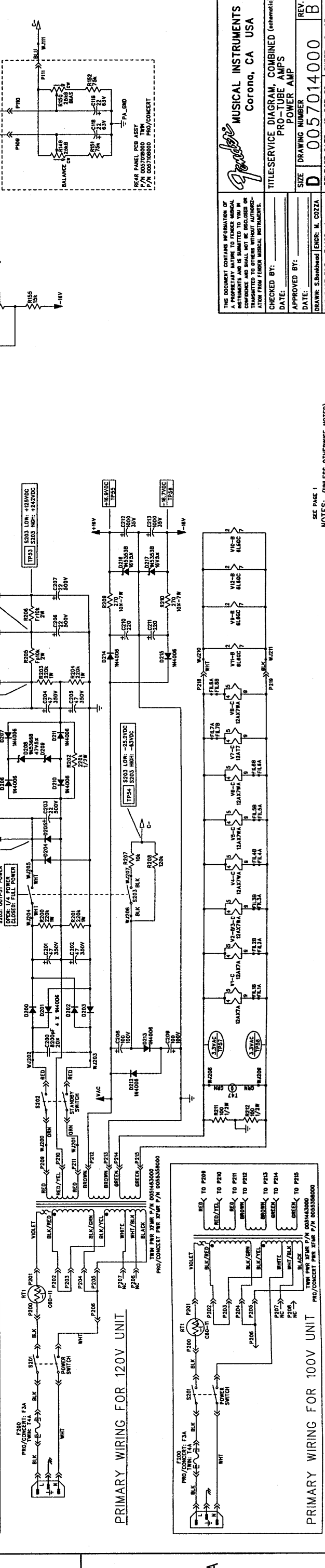
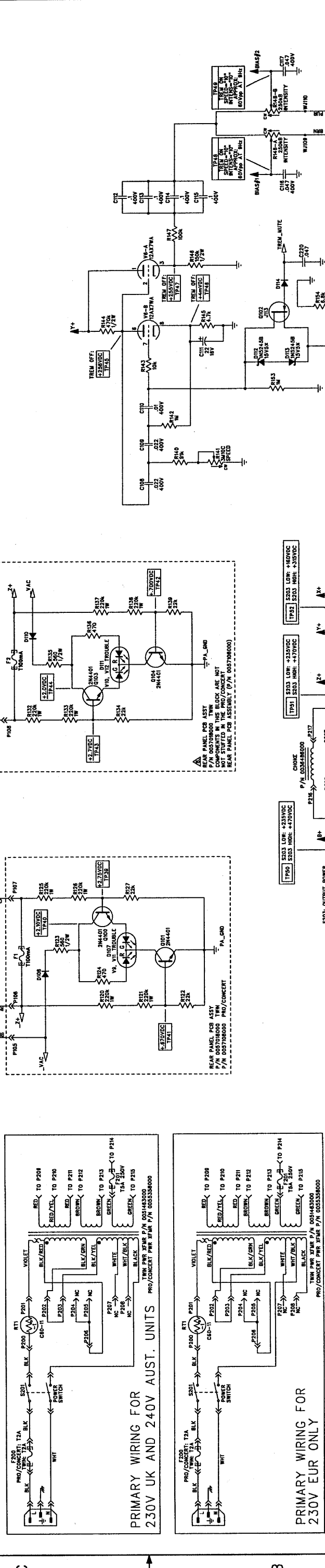
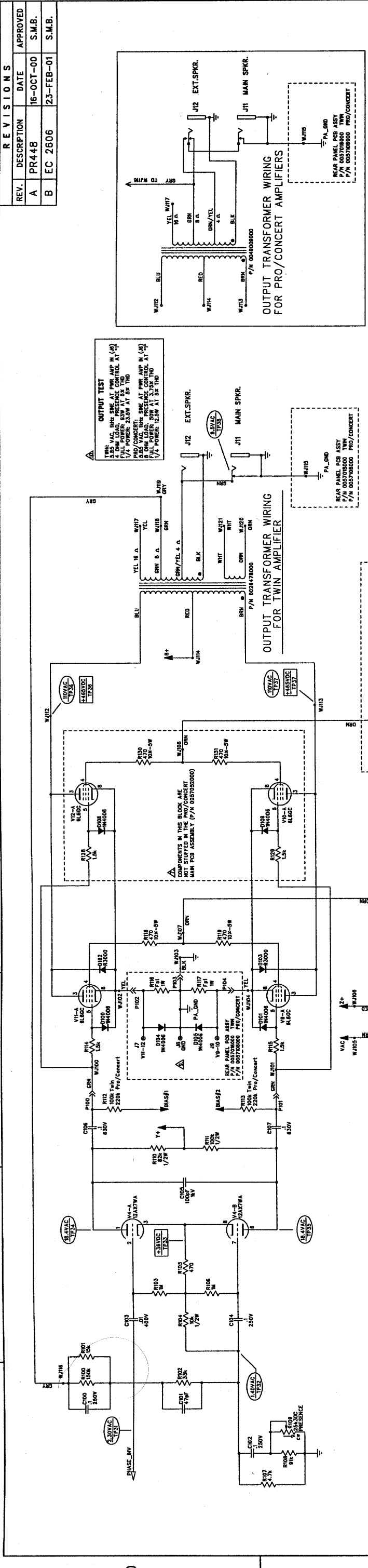
RELEASE DATE: 16-OCT-00 | SHEET: 1 OF 4

1. VOLTAGES MEASURED WITH RESPECT TO GROUND WITH A DVM.
2. VOLTAGES MAY VARY +/- 20%.
3. ALL PIPES ARE 1/8" DIA. UNLESS OTHERWISE NOTED.
4. ALL DIMENSIONS ARE IN INCHES UNLESS OTHERWISE NOTED.
5. ALL DIMENSIONS ARE IN INCHES UNLESS OTHERWISE NOTED.
6. ALL DIMENSIONS ARE IN INCHES UNLESS OTHERWISE NOTED.
7. ALL DIMENSIONS ARE IN INCHES UNLESS OTHERWISE NOTED.
8. ALL DIMENSIONS ARE IN INCHES UNLESS OTHERWISE NOTED.
9. ALL DIMENSIONS ARE IN INCHES UNLESS OTHERWISE NOTED.
10. ALL DIMENSIONS ARE IN INCHES UNLESS OTHERWISE NOTED.

11. VOLTAGES MEASURED WITH RESPECT TO GROUND WITH A DVM.
12. VOLTAGES MAY VARY +/- 20%.
13. ALL PIPES ARE 1/8" DIA. UNLESS OTHERWISE NOTED.
14. ALL DIMENSIONS ARE IN INCHES UNLESS OTHERWISE NOTED.
15. ALL DIMENSIONS ARE IN INCHES UNLESS OTHERWISE NOTED.
16. ALL DIMENSIONS ARE IN INCHES UNLESS OTHERWISE NOTED.
17. ALL DIMENSIONS ARE IN INCHES UNLESS OTHERWISE NOTED.
18. ALL DIMENSIONS ARE IN INCHES UNLESS OTHERWISE NOTED.
19. ALL DIMENSIONS ARE IN INCHES UNLESS OTHERWISE NOTED.
20. ALL DIMENSIONS ARE IN INCHES UNLESS OTHERWISE NOTED.

REV.	DESCRIPTION	DATE	APPROVED
A	PR448	16-OCT-00	S.M.B.
B	EC 2606	23-FEB-01	S.M.B.

1 2 3 4 5 6 7 8



2 3 4 5 6 7 8

REV.	DESCRIPTION	DATE	APPROVED
A	PR448	16-OCT-00	S.M.B.
B	EC 2606	23-FEB-01	S.M.B.

THIS DOCUMENT CONTAINS INFORMATION OF A CONFIDENTIAL NATURE AND IS LOANED TO YOU BY THE INSTRUMENTS DIVISION OF CORONA ELECTRONIC CORPORATION. IT IS TO BE RETURNED TO THE INSTRUMENTS DIVISION OF CORONA ELECTRONIC CORPORATION UPON REQUEST AND IS NOT TO BE REPRODUCED OR TRANSMITTED IN ANY FORM OR BY ANY MEANS, ELECTRONIC OR MECHANICAL, INCLUDING PHOTOCOPYING, RECORDING, OR BY ANY INFORMATION STORAGE AND RETRIEVAL SYSTEM. WITHOUT THE WRITTEN PERMISSION OF CORONA ELECTRONIC CORPORATION.

CHECKED BY: _____
 DATE: _____

APPROVED BY: _____
 DATE: _____

TITLE: SERVICE DIAGRAM, COMBINED (continued)
 PRO-TUBE AMPS
 POWER AMP

SIZE: D
 DRAWING NUMBER: 005701400
 REV. B

RELEASE DATE: 16-OCT-00
 SHEET: 2 OF 4

MUSICAL INSTRUMENTS
 Corona, CA USA

NOTES: (UNLESS OTHERWISE NOTED)

REVISIONS			
REV.	DESCRIPTION	DATE	APPROVED
A	PR44B	16-OCT-00	S.M.B.
B	EC 2606	23-FEB-01	S.M.B.

PART NUMBER	DESCRIPTION
0057052000	PCB ASSY PRO/CONCERT REVERSE MAIN
0057016000	PCB ASSY TWIN-AMP MAIN

MUSICAL INSTRUMENTS
Corona, CA USA

TITLE: SERVICE DIAGRAM, COMBINED (PCB assy)
PRO-TUBE AMPS
MAIN PCB

CHECKED BY: _____
DATE: _____

APPROVED BY: _____
DATE: _____

DRWING NUMBER: _____
SHEET 3 OF 4

RELEASE DATE: 16-OCT-00

THIS DOCUMENT CONTAINS INFORMATION OF A PROPRIETARY NATURE TO FENDER MUSICAL INSTRUMENTS AND SHALL NOT BE REPRODUCED OR TRANSMITTED IN ANY FORM OR BY ANY MEANS WITHOUT THE WRITTEN PERMISSION OF FENDER MUSICAL INSTRUMENTS.

THE FOLLOWING ITEMS ARE NOT STATED IN PRO/CONCERT ASSY: 1. SET-UP SIZE DIMENSIONS & TOLERANCES FOR WORK. 2. LETTERS IN BRACKETS () REFER TO PCB BRACKET ITEMS. 3. DIMENSIONS & TOLERANCES FOR WORK. 4. THE FOLLOWING ITEMS ARE NOT STATED IN PRO/CONCERT ASSY: 1. USE RIVET IN SOME NUMBER COMPARE TO ANEMEC C201-307. 2. DIMENSIONS & TOLERANCES FOR WORK.

NOTES: (UNLESS OTHERWISE NOTED)

USE THIS DATA SHEET IN CASES AT LEAST 3mm MINIMUM CLEARANCE FROM THE BOARD. 1. ALL DIMENSIONS ARE IN MILLIMETERS UNLESS OTHERWISE SPECIFIED. 2. DIMENSIONS IN PARENTHESES REFER TO DIMENSIONS OF THE BOARD. 3. DIMENSIONS IN BRACKETS REFER TO DIMENSIONS OF THE BOARD. 4. DIMENSIONS IN SQUARE BRACKETS REFER TO DIMENSIONS OF THE BOARD.

FILE NAME: PCB ASSEMBLY DRAWING
DATABASE: 24481P.CSB DATE: 23-FEB-01

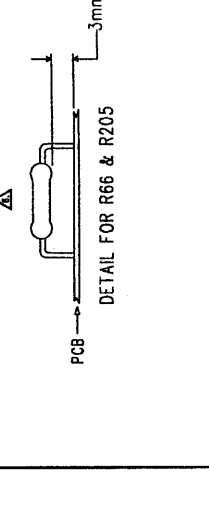
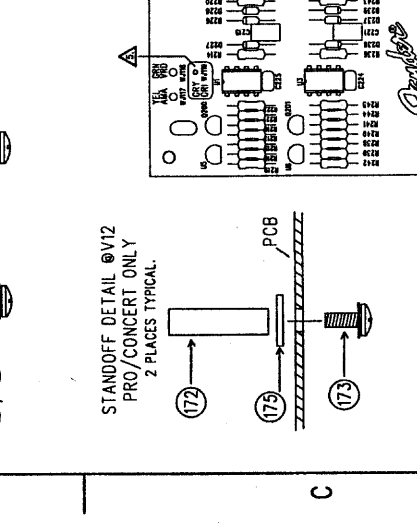
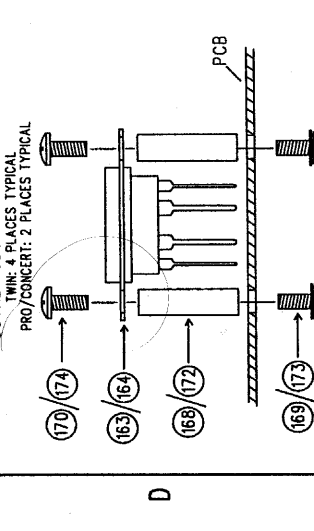
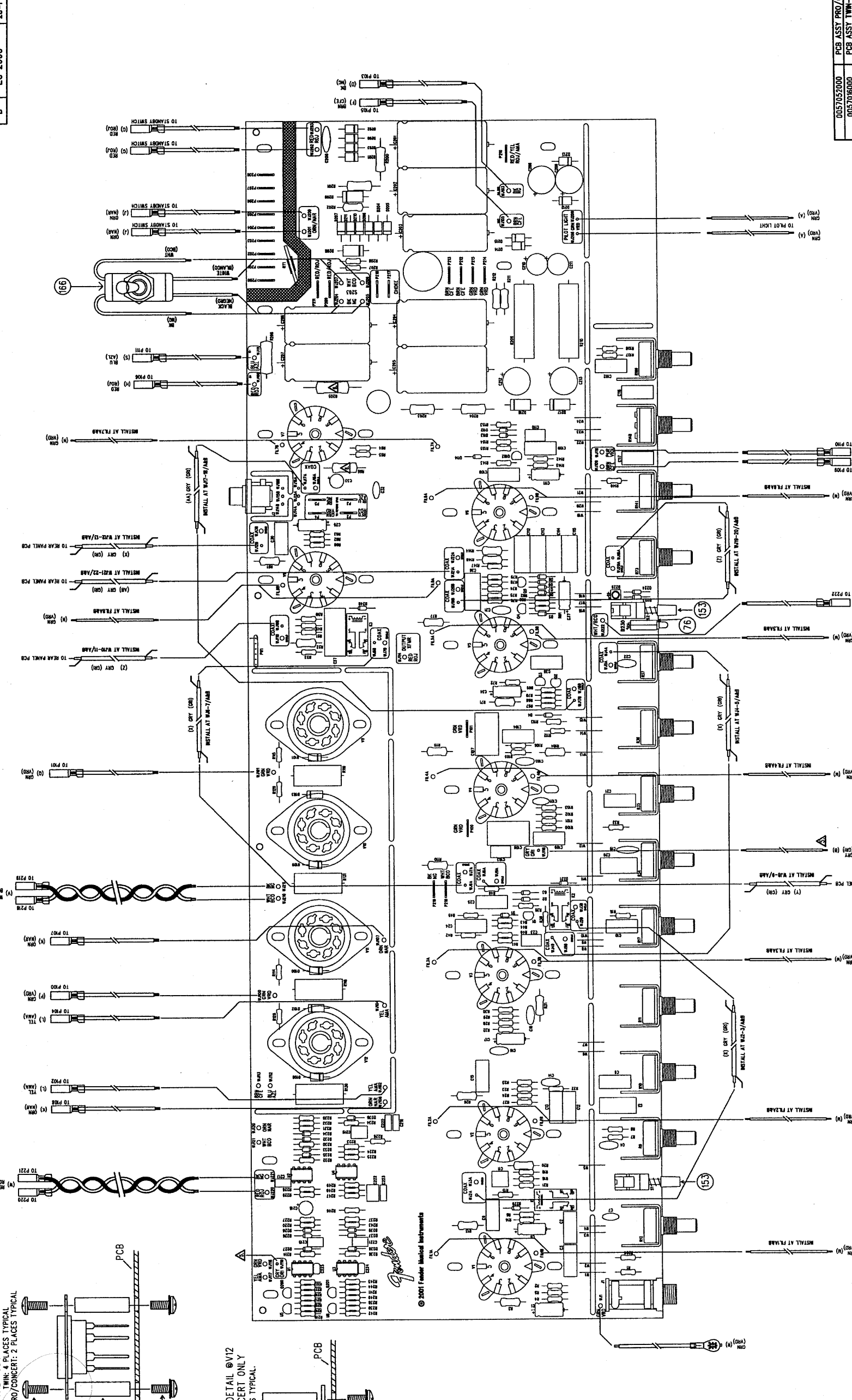
INSTALL AT FLAME
INSTALL AT W/B-9/AMB
INSTALL AT W/B-8/AMB
INSTALL AT W/B-7/AMB
INSTALL AT W/B-6/AMB
INSTALL AT W/B-5/AMB
INSTALL AT W/B-4/AMB
INSTALL AT W/B-3/AMB
INSTALL AT W/B-2/AMB
INSTALL AT W/B-1/AMB

INSTALL AT FLAME
INSTALL AT W/B-9/AMB
INSTALL AT W/B-8/AMB
INSTALL AT W/B-7/AMB
INSTALL AT W/B-6/AMB
INSTALL AT W/B-5/AMB
INSTALL AT W/B-4/AMB
INSTALL AT W/B-3/AMB
INSTALL AT W/B-2/AMB
INSTALL AT W/B-1/AMB

INSTALL AT FLAME
INSTALL AT W/B-9/AMB
INSTALL AT W/B-8/AMB
INSTALL AT W/B-7/AMB
INSTALL AT W/B-6/AMB
INSTALL AT W/B-5/AMB
INSTALL AT W/B-4/AMB
INSTALL AT W/B-3/AMB
INSTALL AT W/B-2/AMB
INSTALL AT W/B-1/AMB

INSTALL AT FLAME
INSTALL AT W/B-9/AMB
INSTALL AT W/B-8/AMB
INSTALL AT W/B-7/AMB
INSTALL AT W/B-6/AMB
INSTALL AT W/B-5/AMB
INSTALL AT W/B-4/AMB
INSTALL AT W/B-3/AMB
INSTALL AT W/B-2/AMB
INSTALL AT W/B-1/AMB

INSTALL AT FLAME
INSTALL AT W/B-9/AMB
INSTALL AT W/B-8/AMB
INSTALL AT W/B-7/AMB
INSTALL AT W/B-6/AMB
INSTALL AT W/B-5/AMB
INSTALL AT W/B-4/AMB
INSTALL AT W/B-3/AMB
INSTALL AT W/B-2/AMB
INSTALL AT W/B-1/AMB

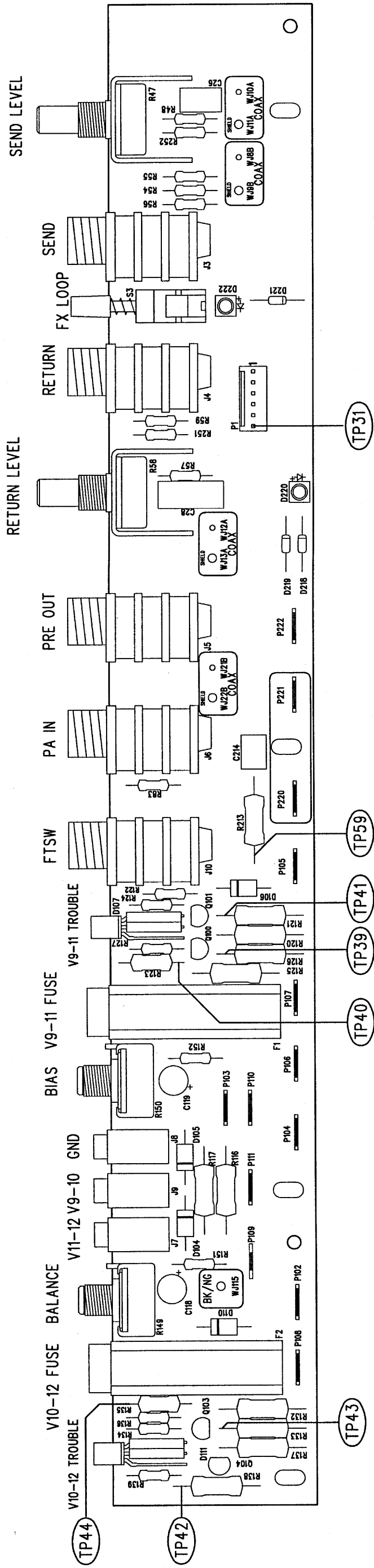


1 2 3 4 5 6 7 8

1 2 3 4 5 6 7 8

REVISIONS

REV.	DESCRIPTION	DATE	APPROVED
A	PR 448	16-OCT-00	S.M.B.
B	EC 2606	23-FEB-01	S.M.B.



FILM/DWG: SERVICE DIAGRAM
 DATABASE: Z448P2.PCB DATE: 16-OCT-00

2. SEE PAGE 1 FOR NOTES AND TEST CONDITIONS
 1. WIRES NOT SHOWN FOR CLARITY
 NOTES: (UNLESS OTHERWISE NOTED)

Fender
 MUSICAL INSTRUMENTS
 Corona, CA U.S.A.

THIS DOCUMENT CONTAINS INFORMATION OF A PROPRIETARY NATURE TO FENDER MUSICAL INSTRUMENTS AND IS SUBMITTED TO YOU IN CONFIDENCE AND SHALL NOT BE DISCLOSED OR TRANSMITTED TO OTHERS WITHOUT AUTHORIZATION FROM FENDER MUSICAL INSTRUMENTS.

CHECKED BY: _____
 DATE: _____
 APPROVED BY: _____
 DATE: _____
 DRAWN: S.Bankhead ENGR: S.Bankhead
 DATABASE FILE: Z448P2.PCB

TITLE: SERVICE DIAGRAM, COMBINED (PCB assy)
 PRO-TUBE AMPS
 REAR PANEL PCB

SIZE: B DRAWING NUMBER: 0057014000 REV. B
 RELEASE DATE: 16-OCT-00 SHEET 4 OF 4