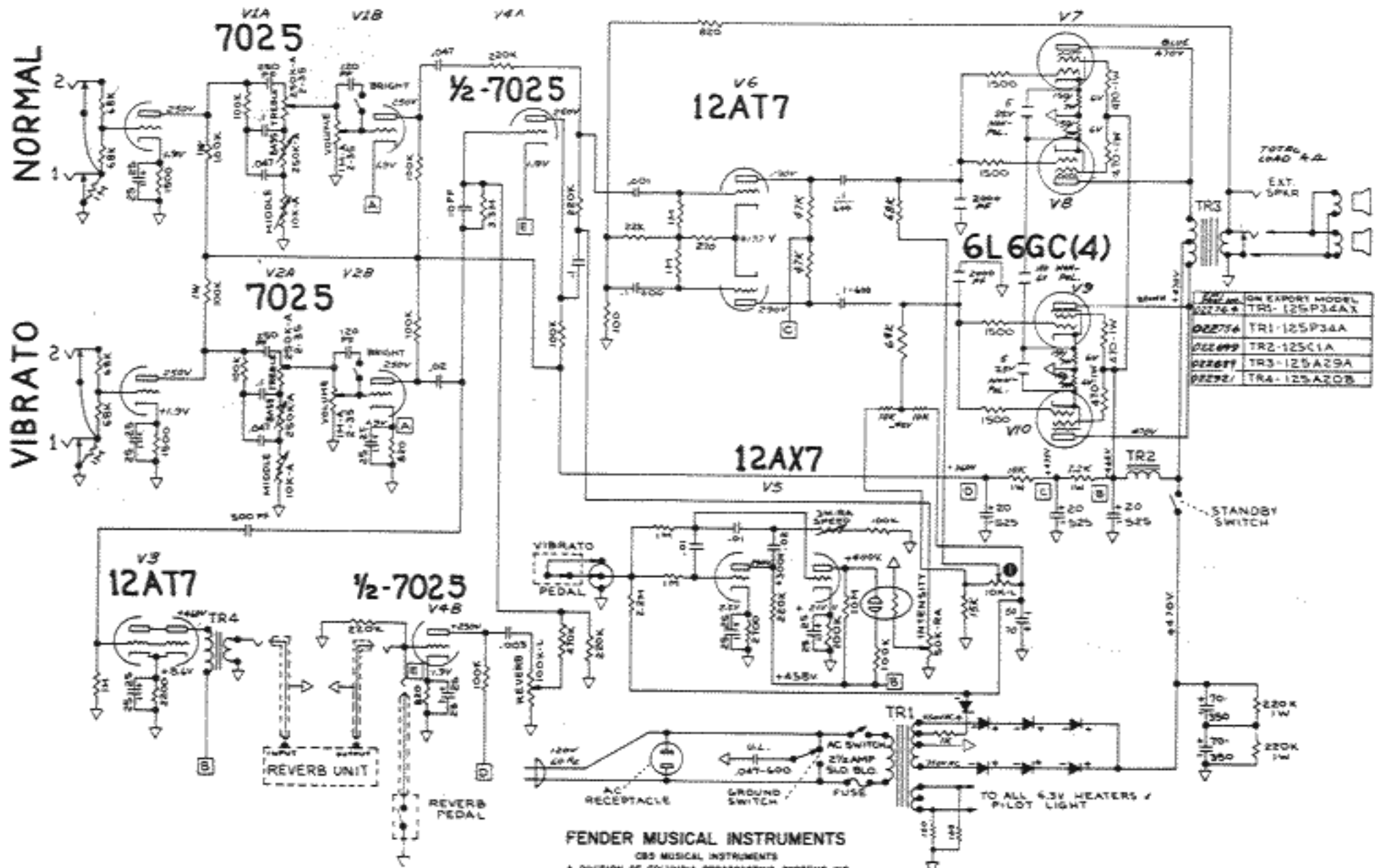


FENDER MODEL "TWIN REVERB-AMPAC 56" SCHEMATIC NOTICE

THIS PRODUCT MANUFACTURED UNDER ONE OR MORE OF THE FOLLOWING U.S. PATENTS:
 # 2817708, #2913481, 192859 / PATENTS PENDING.

- 1 - VOLTAGES READ TO GROUND WITH V.T.V.M.
- 2 - VALUES SHOWN + OR - 20%
- 3 - ALL RESISTORS 1/2 WATT 10% TOLERANCE IF NOT SPECIFIED.
- 4 - ALL CAPACITORS AT LEAST 500 VOLT RATING IF NOT SPECIFIED.
- 5 - VOLTAGES MEASURED WITH VIBRATO PEDAL GROUND TO CHASSIS.

C-FD



TR1	ON EXPORT MODEL
022764	TR1-125P34A
022699	TR2-125C1A
022677	TR3-125A29A
022671	TR4-125A20B

FENDER MUSICAL INSTRUMENTS
 CBS MUSICAL INSTRUMENTS
 A DIVISION OF COLUMBIA BROADCASTING SYSTEMS INC.
 SANTA ANA, CALIFORNIA
 U.S.A.

OWN.	F.J.	DATE	5-27-68	MUSICAL INSTRUMENTS SANTA ANA, CALIFORNIA					
CHK.									
APPD.									
APPD.									
Dwg. TITLE SCHEMATIC & WIRING DIAGRAM - TWIN REVERB TUBE TYPE									
APPROVAL -	APPROVAL -	REL. NO.	480	SIZE	D	DWG. NO.	045377	REV.	C
		SCALE	AS SHOWN	MODEL	TWIN REVERB TUBE TYPE	SHEET 1 OF 2			