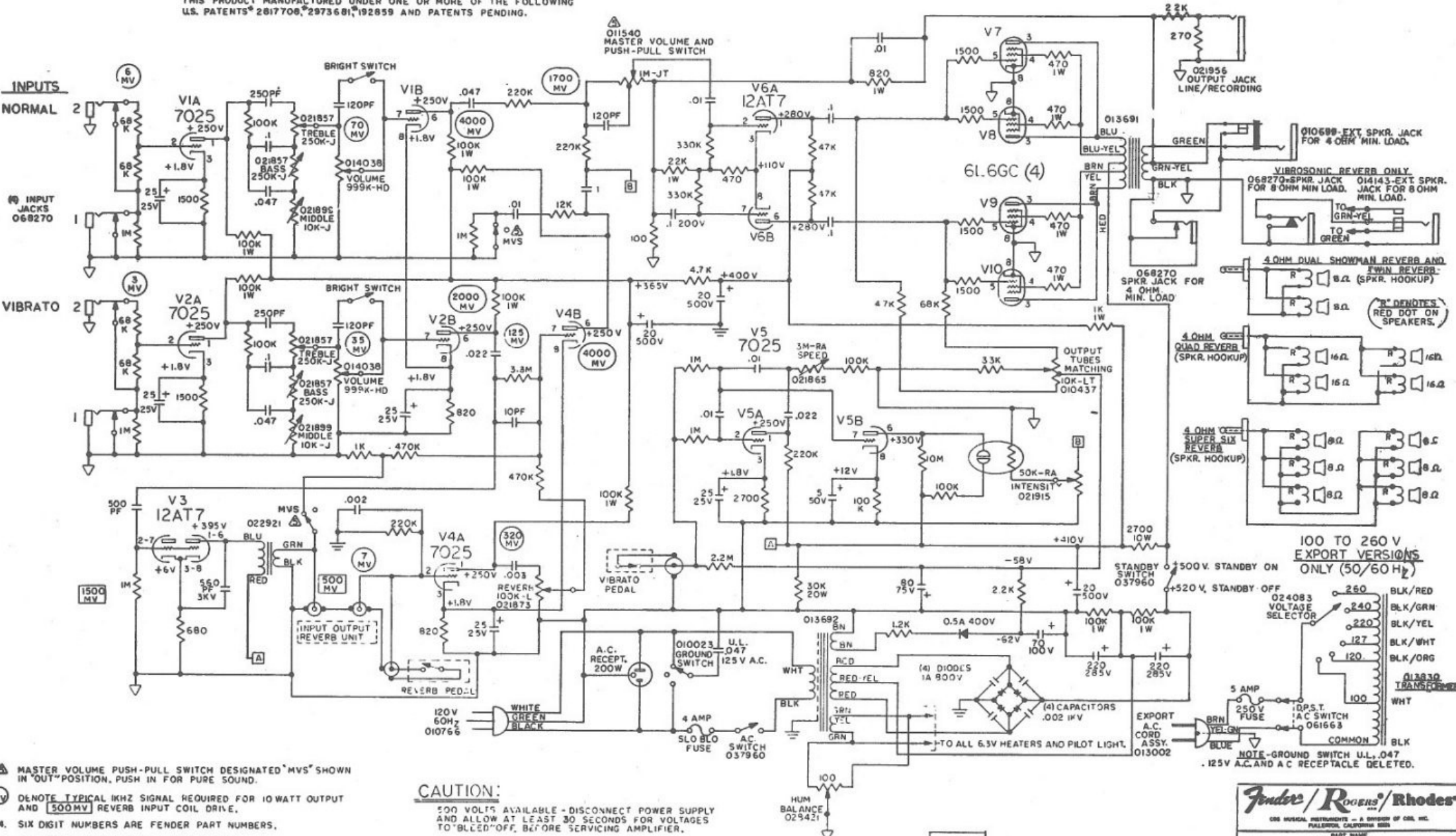


THIS PRODUCT MANUFACTURED UNDER ONE OR MORE OF THE FOLLOWING U.S. PATENTS 2817708, 2973681, 192859 AND PATENTS PENDING.



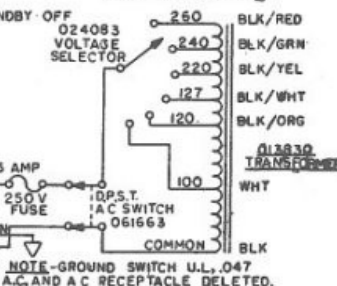
- ▲ MASTER VOLUME PUSH-PULL SWITCH DESIGNATED "MVS" SHOWN IN "OUT" POSITION, PUSH IN FOR PURE SOUND.
- ▼ DENOTE TYPICAL KHZ SIGNAL REQUIRED FOR 10WATT OUTPUT AND (500MV) REVERB INPUT COIL DRIVE.
- 4. SIX DIGIT NUMBERS ARE FENDER PART NUMBERS.
- 3. ALL CAPACITORS AT LEAST 600V, W.V.D.C.
- 2. ALL RESISTORS 1/2 WATT ±10%.
- 1. VOLTAGES READ TO GROUND WITH V.T.V.M. NO SIGNAL. V5 (ONLY) VOLTAGES READ WITH SPEED & INTENSITY MAX. & VIBRATO ON.

CAUTION:
500 VOLTS AVAILABLE - DISCONNECT POWER SUPPLY AND ALLOW AT LEAST 30 SECONDS FOR VOLTAGES TO "BLEED" OFF, BEFORE SERVICING AMPLIFIER.

VIBROS. REV.
SIX SIX REV.
QUAD REV.
D.S. REVERB.
TWIN REV.
USED ON

Fender / Rogers / Rhodes
ONE MUSICAL INSTRUMENTS - A DIVISION OF CEN. INC. FULLERTON, CALIFORNIA 92630
 PART NAME
SCHMATIC
135 WATT'S RMS AMP
W/REVERB AND VIBRATO
 PART NO.
013694

100 TO 260 V EXPORT VERSIONS ONLY (50/60 Hz)



NOTE-GROUND SWITCH U.L. 047 .125V A.C. AND A.C. RECEPTACLE DELETED.