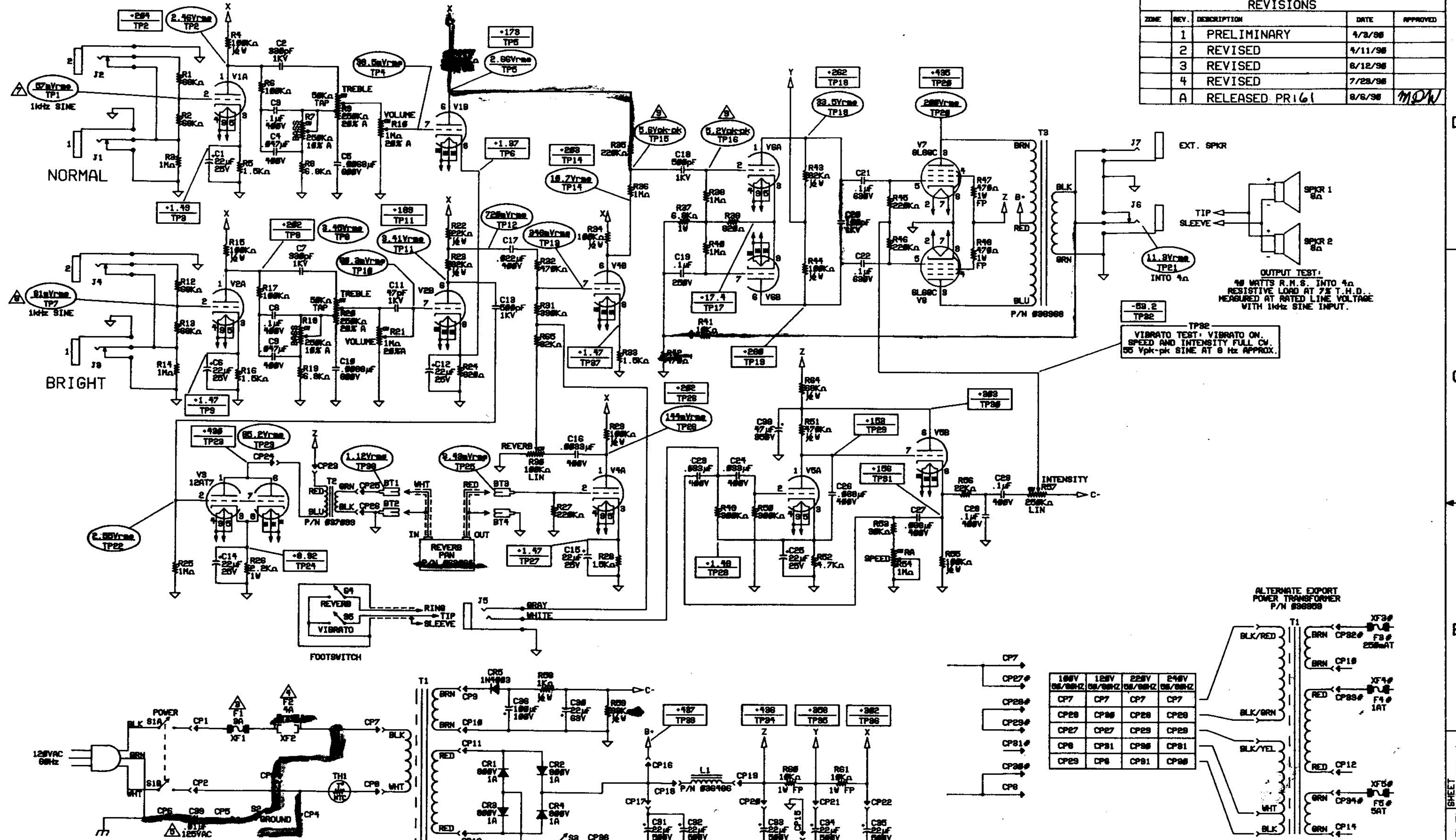


REVISIONS				
ZONE	REV.	DESCRIPTION	DATE	APPROVED
	1	PRELIMINARY	4/3/98	
	2	REVISED	4/11/98	
	3	REVISED	6/12/98	
	4	REVISED	7/28/98	
	A	RELEASED PR161	8/6/98	MDW



NOTES:

- V1, 2, 4, 5, 6 ARE 12AX7A.
- ALL RESISTORS 1/4 WATT CARBON FILM UNLESS NOTED OTHERWISE.
- EXTERNAL LINE FUSE 3 AMP IN 100V/125V VOLT MODELS, 1.5 AMP IN 220V/240 VOLT MODELS.
- INTERNAL LINE FUSE 4 AMP IN 100V/125V VOLT MODELS, 2 AMP IN 220V/240 VOLT MODELS.
- CP8, 4, 5, 6 AND C38 INSTALLED IN 125V MODELS ONLY. C38 U.L. AND C.S.A. RECOGNIZED.
- ALL VOLTAGES MEASURED WITH RESPECT TO GROUND USING A DVM OF AT LEAST 1MΩ AC INPUT IMPEDANCE AND OF 10 MΩ DC INPUT IMPEDANCE. VOLTAGES MAY VARY ± 25% TEST CONDITIONS.
 - LINE VOLTAGE AT 120.0 VAC AT 60 Hz.
 - REVERB AND VIBRATO OFF.
 - REVERB AND VIBRATO CONTROLS FULL CCW.
 - ALL VOLUME AND TONE CONTROLS AT 50% ROTATION.
 - DC VOLTAGES MEASURED WITH NO AC SIGNAL PRESENT.
- AC TEST POINTS TP1, 2, 4, 5 MEASURED WITH NO SIGNAL PRESENT AT THE BRIGHT CHANNEL INPUT. VOLTAGE AT TP1 ADJUSTED TO OBTAIN 11.3 V_{rms} OUTPUT VOLTAGE (ONSET OF CLIPPING).
- BRIGHT CHANNEL TEST POINTS MEASURED WITH NO SIGNAL PRESENT AT THE NORMAL CHANNEL INPUT. VOLTAGE AT THE BRIGHT CHANNEL INPUT ADJUSTED TO OBTAIN 11.3 V_{rms} OUTPUT VOLTAGE.
- AC VOLTAGES AT TP15, TP16 MEASURED WITH AN OSCILLOSCOPE USING A X10 PROBE.
- SIX-DIGIT NUMBERS ARE FENDER PART NUMBERS.

100V	125V	220V	240V
CP7	CP7	CP7	CP7
CP28	CP28	CP28	CP28
CP27	CP27	CP28	CP28
CP8	CP81	CP86	CP81
CP29	CP8	CP81	CP86

EXPORT PRIMARY WIRING DIAGRAM
* INSTALLED IN EXPORT UNITS ONLY.

DATABASE FILE: 63VRBS.DWG CHECKED BY: DATE: 8/15/98 APPROVED: DATE: 8/15/98 TOLERANCES: X.X .5% X.XX .1% X.XXX .05% ANGLES .05%	PROPRIETARY THIS SCHEMATIC IS THE PROPERTY OF FENDER MUSICAL INSTRUMENTS CO. ALL RIGHTS RESERVED. NO PART OF THIS SCHEMATIC IS TO BE REPRODUCED OR TRANSMITTED IN ANY FORM OR BY ANY MEANS, ELECTRONIC OR MECHANICAL, INCLUDING PHOTOCOPYING, RECORDING, OR BY ANY INFORMATION STORAGE AND RETRIEVAL SYSTEM.	MUSICAL INSTRUMENTS 1198 Columbia Street Brea, Ca. 92621 TITLE: SCHEMATIC 63 VIBROVERB AMPLIFIER SCALE: NONE DATE: 8/6/98 SHEET 1 OF 1
---	--	---

SHEET 1 OF 1