

FERROGRAPH SERIES SEVEN Mk 2

PARTS LISTS

SERIAL NO. 82,900 approx. ONWARDS

MODELS 713, 713H, 702, 702H, 722, 722H,
704, 724

SUFFIX A (117V, 60Hz Models) — page 15

250-000, ISSUE 16

Note: When ordering any replacement parts, it is advisable to quote the serial number of the recorder. When ordering replacement transistors, it is **essential** to quote both the serial number and the circuit reference of the position for which it is intended, as in certain circumstances it may be necessary to supply an alternative with a different part number.

SERVICE DEPT: SIMONSDALE WORKS, SOUTH SHIELDS, Co. DURHAM

Resistors (R) and Potentiometers (RV)

R200	100 Ω	½W	20%	625-14-100
R201	2.2M Ω	½W	20%	625-14-2M2
R202	3.9K Ω	½W	5%	625-12-3K9
R203	100K Ω	½W	5% Low noise	624-002
R204	2.2M Ω	½W	20%	625-14-2M2
R205	68 Ω	½W	5%	625-12-68
R206	150K Ω	½W	10%	625-13-150K
R207	150K Ω	½W	10%	625-13-150K
R208	2.2M Ω	½W	20%	625-14-2M2
R209	22K Ω	½W	10%	625-13-22K
R210	47K Ω	½W	20%	625-14-47K
R211	10K Ω	½W	10%	625-13-10K
R212	100K Ω	½W	20%	625-14-100K
R213	1K Ω	½W	10%	625-13-1K
R214	27K Ω	½W	10%	625-13-27K
R215	2.2K Ω	½W	10%	625-13-2K2
R216	1.8K Ω	½W	10%	625-13-1K8
R217	220K Ω	½W	5%	625-12-220K
R218	1M Ω	½W	10%	625-13-1M
R219	470K Ω	½W	10%	625-13-470K
RV220	22K Ω	Linear Pre-Set		582-012
R221	470 Ω	½W	10%	625-13-470
MR222	8.2K Ω	½W	5%	625-12-8K2
HR222	10K Ω	½W	5%	625-12-10K
R223	1.5M Ω	½W	10%	625-13-1M5
R224	10K Ω	½W	10%	625-13-10K
R225	1K Ω	½W	10%	625-13-1K
R226	3.3K Ω	½W	10%	625-13-3K3
R227	1K Ω	⅛W	5%	625-03-1K

Capacitors

C200	5μF	64V	Electrolytic	130-007
C201	125μF	16V	Electrolytic	130-002
C202	1,500pf	125V	10%	131-761
C203	1μF	50V	Electrolytic	130-015
C204	.01μF	250V	10%	131-500
C205	.047μF	250V	10%	131-506
C206	5μF	64V	Electrolytic	130-007
C207	5μF	64V	Electrolytic	130-007
C208	1μF	50V	Electrolytic	130-015
C209	100μF	40V	Electrolytic	130-001

Capacitors (contd.)

MC210	.01μF	250V	10%	131-500
HC210	.015μF	250V	10%	131-509
C211	.047μF	250V	10%	131-506
C212	0.22μF	100V	10%	131-253
C213	.022μF	250V	10%	131-505
MC214	2,200pf	125V	10%	131-762
HC214	3,300pf	125V	10%	131-751
C215	250μF	40V	Electrolytic	130-003
C216	2.2μF	35V	Tantalum	130-006
Miscellaneous				
VT200	Transistor 40233 (or BC184LC)			825-005
VT201	Transistor BC183LB (or BC108)			825-015
VT202	F.E. Transistor MPF 103 (2N5457, 2SK30GR)			825-006
VT203	Transistor BC183LB (or BC108)			825-015
VT204	Transistor BC183LB (or BC108)			825-015
MR200	Diode OA200 (or BAX 16)			290-001

VT202 - Alternative Transistors

MPF 103
2N5457



2SK30-GR
TK30



M Used on Medium Speed Models only (7½, 3¼, 1¾in/sec.)

H Used on High Speed Models only (15, 7½, 3¼in/sec.)

Resistors

R300	100 Ω	$\frac{1}{2}$ W	20%	625-14-100
R301	2.2M Ω	$\frac{1}{2}$ W	20%	625-14-2M2
R302	68 Ω	$\frac{1}{2}$ W	5%	625-12-68
R303	47K Ω	$\frac{1}{2}$ W	5% Low noise	624-001
R304	100K Ω	$\frac{1}{2}$ W	20%	625-14-100K
R305	2.2M Ω	$\frac{1}{2}$ W	20%	625-14-2M2
R306	27K Ω	$\frac{1}{2}$ W	10%	625-13-27K
R307	6.8K Ω	$\frac{1}{2}$ W	5%	625-12-6K8
R308	10K Ω	$\frac{1}{2}$ W	5%	625-12-10K
R309	150K Ω	$\frac{1}{2}$ W	10%	625-13-150K
R310	22K Ω	$\frac{1}{2}$ W	10%	625-13-22K
R311	6.8K Ω	$\frac{1}{2}$ W	10%	625-13-6K8
R312	3.3K Ω	$\frac{1}{2}$ W	10%	625-13-3K3
R313	10K Ω	$\frac{1}{2}$ W	20%	625-14-10K
R314	22K Ω	$\frac{1}{2}$ W	10%	625-13-22K
MR315	120K Ω	$\frac{1}{2}$ W	Average Value	
HR315	150K Ω	$\frac{1}{2}$ W	Average Value	
MR316	5.6K Ω	$\frac{1}{2}$ W	5%	625-12-5K6
HR316	3.3K Ω	$\frac{1}{2}$ W	5%	625-12-3K3
MR317	150K Ω	$\frac{1}{2}$ W	Average Value	
HR317	120K Ω	$\frac{1}{2}$ W	Average Value	
MR318	10K Ω	$\frac{1}{2}$ W	5%	625-12-10K
HR318	5.6K Ω	$\frac{1}{2}$ W	5%	625-15-5K6
MR319	15K Ω	$\frac{1}{2}$ W	5%	625-12-15K
HR319	10K Ω	$\frac{1}{2}$ W	5%	625-12-10K
R320	150K Ω	$\frac{1}{2}$ W	Average Value	

Capacitors

C300	125μF	16V	Electrolytic	130-002
C301	4.7μF	20V	Tantalum	130-012
C302	250pf	350V	5%	131-758
C303	0.22μF	250V	10%	131-508
C304	1μF	50V	Electrolytic	130-015
C305	.015μF	250V	10%	131-509
MC306	.033μF	250V	10%	131-501
HC306	.015μF	250V	10%	131-509

Capacitors (contd.)

MC307	0.15μF	250V	10%	131-502
HC307	.033μF	250V	10%	131-501
C308	0.1μF	100V	10%	131-250
C309	250μF	40V	Electrolytic	130-003
C310	0.22μF	250V	10%	131-508
C311	.022μF	250V	10%	131-505
C312	.047μF	250V	10%	131-506
MC313	4,000pf	Average Value		
HC313	1,500pf	Average Value		
C314	.01μF	250V	10%	131-500
MC315	2,000pf	Average Value		
HC315	4,000pf	Average Value		
MC316	4,000pf	Average Value		
HC316	2,000pf	Average Value		
C317	8,200pf	30V	5%	131-779
C318	.01μF	250V	10%	131-500
Miscellaneous				
VT300	Transistor BC154	(or BC214LB)		825-007
VT301	Transistor BC154	(or BC214LB)		825-007
VT302	Transistor BC183LB	(or BC108)		825-015

M Used on Medium Speed Models only (7½, 3¾, 1⅞ in./sec.)

H Used on High Speed Models only (15, 7½, 3¾ in./sec.)

Resistors				
R400	1.5M Ω	$\frac{1}{2}$ W	10%	625-13-1M5
R401	10K Ω	$\frac{1}{2}$ W	10%	625-13-10K
R402	*330K Ω	$\frac{1}{2}$ W	10%	625-13-330K
R403	68K Ω	$\frac{1}{2}$ W	10%	625-13-68K
R404	1K Ω	$\frac{1}{2}$ W	10%	625-13-1K
R405	1K Ω	1W	10%	625-16-1K
R406	560 Ω	$\frac{1}{2}$ W	20%	625-14-560
R407	620 Ω	$\frac{1}{2}$ W	5%	625-12-620
R408	27K Ω	$\frac{1}{2}$ W	5%	625-12-27K
R409	180 Ω	$\frac{1}{2}$ W	10%	625-13-180
R410	22K Ω	$\frac{1}{2}$ W	10%	625-13-22K
R411	10K Ω	$\frac{1}{2}$ W	10%	625-13-10K
R412	27K Ω	$\frac{1}{2}$ W	5%	625-12-27K
R413	330K Ω	$\frac{1}{2}$ W	10%	625-13-330K
R414	1M Ω	$\frac{1}{2}$ W	10%	625-13-1M
R415	10K Ω	$\frac{1}{2}$ W	10%	625-13-10K
R416	1.5K Ω	$\frac{1}{2}$ W	10%	625-13-1K5
R417	1K Ω	$\frac{1}{2}$ W	10%	625-13-1K
R418	1.5K Ω	$\frac{1}{2}$ W	10%	625-13-1K5
R419	470 Ω	$\frac{1}{2}$ W	10%	625-13-470

Capacitors

C400	1 μ F	50V	Electrolytic	130-015
C401	100 μ F	50V	Electrolytic	130-020
C402	1 μ F	50V	Electrolytic	130-015
C403	5 μ F	64V	Electrolytic	130-007
C404	250 μ F	40V	Electrolytic	130-003
C405	100 μ F	40V	Electrolytic	130-001
C406	32 μ F	40V	Electrolytic	130-013
C407	.022 μ F	250V	10%	131-505
C408	.022 μ F	250V	10%	131-505
C409	0.1 μ F	250V	20%	131-507
C410	5 μ F	64V	Electrolytic	130-007
C411	800pf	125V	10%	131-759
C412	1 μ F	50V	Electrolytic	130-015

Miscellaneous

VT400	Transistor BC183LB (or BC108)	825-015
VT401	*Transistor BC268C	825-029
VT402	Transistor BC183LB (or BC108)	825-015

*On earlier models, R402 was 33K Ω & VT401 was 40232 (825-004)

Resistors				
R500	0.35 Ω	1W	Wire-wound	626-005
R501	0.35 Ω	1W	Wire-wound	626-005
R502	220 Ω	$\frac{1}{2}$ W	5%	625-12-220
R503	220 Ω	$\frac{1}{2}$ W	5%	625-12-220
R504	2.2 Ω	$\frac{1}{2}$ W	$\pm \frac{1}{2} \Omega$	625-14-2D2
R505	4.7K Ω	$\frac{1}{2}$ W	10%	625-13-4K7
R506	160 Ω	$\frac{1}{2}$ W	Average Value	624-003
R507	470 Ω	$\frac{1}{2}$ W	10%	625-13-470
R508	1K Ω	$\frac{1}{2}$ W	10%	625-13-1K
R509	39K Ω	$\frac{1}{2}$ W	5%	625-12-39K
R510	4.7K Ω	$\frac{1}{2}$ W	10%	625-13-4K7
R511	10K Ω	$\frac{1}{2}$ W	10%	625-13-10K
R512	10K Ω	$\frac{1}{2}$ W	10%	625-13-10K
R513	3.9K Ω	$\frac{1}{2}$ W	10%	625-13-3K9
R514	8.2K Ω	$\frac{1}{2}$ W	10%	625-13-8K2
R515	82K Ω	$\frac{1}{2}$ W	10%	625-13-82K
R516	68 Ω	$\frac{1}{2}$ W	10%	625-13-68
R517	100K Ω	$\frac{1}{2}$ W	10%	625-13-100K
R518	6.8K Ω	$\frac{1}{2}$ W	10%	625-13-6K8
R519	3.3K Ω	$\frac{1}{2}$ W	10%	625-13-3K3
R520	22 Ω	$\frac{1}{2}$ W	20%	625-07-22

Capacitors

C500	640 μ F	25V	Electrolytic	130-004
C501	125 μ F	16V	Electrolytic	130-002
C502	25 μ F	25V	Electrolytic	130-016
C503	100 μ F	40V	Electrolytic	130-001
C504	350pf	160V	10%	131-763
C505	125 μ F	16V	Electrolytic	130-002
C506	1 μ F	50V	Electrolytic	130-015

Miscellaneous

VT500	Transistor 40312	825-002
VT501	Transistor NKT0039 (or 40360-RCA, BC300)	825-014
VT502	Transistor 40312	825-002
VT503	Transistor NKT0029 (or 40362-RCA, BC461)	825-013
VT504	Transistor NKT0028 (or NKT0039, 40317 -RCA, BC182LB, BC300)	825-012
VT505	Transistor BC183LB (or BC108, 40232 -RCA)	825-015
MR500	Diode BAX 16	290-001
MR501	Diode BAX 16	290-001

Resistors (R) and Potentiometers (RV)

R600	100 Ω	$\frac{1}{2}$ W	10%	625-13-100
R601	100K Ω	$\frac{1}{2}$ W	10%	625-13-100K
R602	270 Ω	$\frac{1}{2}$ W	5%	625-12-270
R603	10K Ω	$\frac{1}{2}$ W	5%	625-12-10K
R604	10K Ω	$\frac{1}{2}$ W	5%	625-12-10K
R605	100K Ω	$\frac{1}{2}$ W	10%	625-13-100K
‡RV606	22K Ω	Linear	Pre-set	582-012
R607	270 Ω	$\frac{1}{2}$ W	5%	625-12-270

Capacitors

C600	64μF	64V	Electrolytic	130-008
C601	.01μF	250V	10%	131-500
C602	12,000pf	125V	10%	131-750
C603	250pf	350V	5%	131-758
C604	250pf	350V	5%	131-758
C605	.01μF	250V	10%	131-500
C606	0.22μF	250V	10%	131-508
‡C607	3,300pf	160V	10%	131-751
C608	150pf	350V	5%	131-757
C609	390pf	160V	10%	131-784
‡C610	390pf	160V	10%	131-784
‡C611	150pf	350V	5%	131-757
C612	500pf	160V	10%	131-765

Miscellaneous

VT600	Transistor NKT0039 (or 40317-RCA, BC300)	825-014
VT601	Transistor NKT0039 (or 40317-RCA, BC300)	825-014
‡SW600	Record Mode Switch	750-003
L600	Oscillator Coil (Type 799)	025-085
L601	Filter Coil (Type 800)	
‡L602	Filter Coil (Type 800)	
P600	Coaxial Plug (Black) + lead	578-000D
‡P601	Coaxial Plug (Yellow) + lead	578-000A
P602	Coaxial Plug (Red) + lead	578-000C
‡P603	Coaxial Plug (Green) + lead	578-000B
SK600	Coaxial Socket (Black) with SK602	692-001
‡SK601	Coaxial Socket (Yellow) with SK603	692-002
SK602	Coaxial Socket (Red) with SK600	692-001
‡SK603	Coaxial Socket (Green) with SK601	692-002

Resistors (R) and Potentiometers (RV)

‡RV700	100K Ω	Linear	Pre-set	582-008
MR701	220 Ω	$\frac{1}{2}$ W	10%	625-07-220
HR701	0	(short-circuit)		
R702	270 Ω	$\frac{1}{2}$ W	10%	625-07-270
RV703	500K Ω	Linear	"Bass"	582-001
‡RV704	500K Ω	Linear	"Bass"	582-001
†RV705	100K Ω	Linear	"Output"	582-004
‡RV705	100K Ω	Linear (with RV706)	"Output"	582-007
‡RV706	100K Ω	Linear (with RV705)	"Output"	582-007
‡R707	6.8K Ω	$\frac{1}{2}$ W	20%	625-08-6K8
‡R708	6.8K Ω	$\frac{1}{2}$ W	20%	625-08-6K8
†RV709	50K Ω	Logarithmic	"Line"	582-024
‡RV709	50K Ω	Logarithmic (with RV727)	"Line"	582-010
‡RV710	50K Ω	Logarithmic (with RV728)	"Line"	582-010
RV711	10K Ω	Logarithmic	Pre-set	582-011
RV712	10K Ω	Logarithmic	Pre-set	582-011
RV713	10K Ω	Logarithmic	Pre-set	582-011
R714	820 Ω	$\frac{1}{2}$ W	10%	625-13-820
‡RV715	10K Ω	Logarithmic	Pre-set	582-011
‡RV716	10K Ω	Logarithmic	Pre-set	582-011
‡RV717	10K Ω	Logarithmic	Pre-set	582-011
‡R718	820 Ω	$\frac{1}{2}$ W	10%	625-13-820
RV719	500K Ω	Linear	"Treble"	582-001
‡RV720	500K Ω	Linear	"Treble"	582-001
RV721	1K Ω	Linear		582-015
‡RV722	1K Ω	Linear		582-015
RV723	25K Ω	Linear	"B"	582-002
‡RV724	25K Ω	Linear	"B"	582-002
RV725	100K Ω	Linear	"A"	582-008
‡RV726	100K Ω	Linear	"A"	582-008
†RV727	250K Ω	Logarithmic	"Mic"	582-009
‡RV727	250K Ω	Logarithmic (with RV709)	"Mic"	582-010
‡RV728	250K Ω	Logarithmic (with RV710)	"Mic"	582-010
†R731	400 Ω	2W		626-014
‡R731	560 Ω	3W		626-013

M Used on Medium Speed Models only (7 $\frac{1}{2}$, 3 $\frac{3}{4}$, 1 $\frac{1}{2}$ in/sec.)H Used on High Speed Models only (15, 7 $\frac{1}{2}$, 3 $\frac{3}{4}$ in/sec.)

† Used on Mono Models only (One-channel)

‡ Used on Stereo Models only (Two-channel)

Capacitors

C700	1,000 μ F	70V	Electrolytic	130-014
C701	2,000 μ F	30V	Electrolytic	130-017
C702	2,000pf	Average Value		
C703	1,000pf	Average Value		
C704	2,000pf	Average Value		
C705	8,200pf	Average Value		
C706	2,200pf	Average Value		
C707	800pf	Average Value		
‡C708	2,000pf	Average Value		
‡C709	1,000pf	Average Value		
‡C710	2,000pf	Average Value		
‡C711	8,200pf	Average Value		
‡C712	2,200pf	Average Value		
‡C713	800pf	Average Value		
‡C714	600pf	125V	10%	131-756
‡C715	500pf	160V	10%	131-765
C716	0.22 μ F	250V	10%	131-505
C717	0.22 μ F	250V	10%	131-505

Miscellaneous

SW700	Equalisation Switch	750-001
SW701	Meter Switch	746-002
SW702	Output Switch	746-003
‡SW703	Output Switch	746-003
‡SW704	Transfer Switch	746-000
L700	Treble Boost Inductor (Type 727)	
‡L701	Treble Boost Inductor (Type 727)	
TR700	Mains Transformer (240V)	022-056
MR700	Bridge Rectifier WO2 (or WO4, OSHO1-100)	600-002
MR701	Bridge Rectifier WO2 (or WO4, OSHO1-100)	600-002
JK700	Jack Socket, 2 way	692-011
‡JK701	Jack Socket, 2 way	692-011
JK702	Jack Socket, 2 way	692-011
‡JK703	Jack Socket, 2 way	692-011
JK704	Jack Socket, 2 way	692-011
‡JK705	Jack Socket, 2 way	692-011
JK706	Jack Socket, 2 way	692-011
‡JK707	Jack Socket, 2 way	692-011
JK708	Jack Socket, 2 way	692-011
‡JK709	Jack Socket, 2 way	692-011

Miscellaneous (contd.)

P700	Plug, 14 way	577-008
P701	Plug, 3 way (Mains)	577-000
P702	Plug, 2 way (Loudspeaker)	577-006
‡P703	Plug, 2 way (Loudspeaker)	577-006
SK100	Socket, 9 way	692-012
SK101	Socket, 8 way	692-003
SK700	Socket, 14 way	692-013
SK701	Socket, 7 way (Aux. Skt.)	692-004
SK702	Socket, 2 way (Loudspeaker)	692-014
‡SK703	Socket, 2 way (Loudspeaker)	692-014
LP700	Lamp, LES, 14V	455-002
†LP701	Lamp, LES, 14V	455-002
‡FS700	D.C. Fuse (1 Amp - 20 mm. x 5 mm. dia.)	380-000
FS701	D.C. Fuse (1 Amp - 20 mm. x 5 mm. dia.)	380-000
FS702	Mains Fuse (1 Amp - 20 mm. x 5 mm. dia.)	380-000
VS700	Voltage Selector Tagboard	025-164
M700	Meter	512-000
‡M701	Meter	512-000
LS700	Loudspeaker (30 Ω)	700-000
‡LS701	Loudspeaker (30 Ω)	700-000

† Used on Mono Models only (One-channel)

‡ Used on Stereo Models only (Two-channel)

Resistors

R800	18K Ω	$\frac{1}{2}$ W	10%	625-13-18K
R801	330K Ω	$\frac{1}{2}$ W	10%	625-13-330K
R802	330K Ω	$\frac{1}{2}$ W	10%	625-13-330K
R803	220 Ω	$\frac{1}{2}$ W	5%	625-12-220
R804	3.3K Ω	$\frac{1}{2}$ W	5%	625-12-3K3
†R805	5.6K Ω	$\frac{1}{2}$ W	10%	625-13-5K6
‡R805	2.7K Ω	$\frac{1}{2}$ W	10%	625-13-2K7
‡R806	3.3K Ω	$\frac{1}{2}$ W	5%	625-12-3K3
‡R807	220 Ω	$\frac{1}{2}$ W	5%	625-12-220
‡R808	330K Ω	$\frac{1}{2}$ W	10%	625-13-330K
‡R809	330K Ω	$\frac{1}{2}$ W	10%	625-13-330K
‡R810	18K Ω	$\frac{1}{2}$ W	10%	625-13-18K

Capacitors

C800	5 μ F	64V	Electrolytic	130-007
C801	0.1 μ F	250V	20%	131-507
C802	5 μ F	64V	Electrolytic	130-007
C803	32 μ F	40V	Electrolytic	130-013
‡C804	5 μ F	64V	Electrolytic	130-007
‡C805	0.1 μ F	250V	20%	131-507
‡C806	5 μ F	64V	Electrolytic	130-007

Miscellaneous

VT800	Transistor BC183LB	825-015
‡VT801	Transistor BC183LB	825-015

† Used on Mono Models only (One-channel)

‡ Used on Stereo Models only (Two-channel)

117V, 60Hz MODELS (Suffix A)

The parts lists and circuit diagram are the same as those for the corresponding 240V, 50Hz model, with the following exceptions.

Circuit Reference	117V, 60Hz MODELS (Suffix A)	Part Number
RV103	625 Ω 30W Wire-wound	582-019
L102	Choke	180-000
C101	2.5 μ F 200V A.C. Working	132-002
X100	Capstan Motor (110V)	022-039
X101	Supply Reel Motor (75V)	022-037
X102	Take-up Reel Motor (75V)	022-038
TR700	Mains Transformer (110V)	022-064
‡FS700	D.C. Fuse (1 Amp) 5 mm. dia. x 20 mm.	380-000
FS701	D.C. Fuse (1 Amp) 5 mm. dia. x 20 mm.	380-000
FS702	Mains Fuse (2 Amp)	380-009
VS700	Not Fitted	

RACK MOUNTING KIT

This comprises a set of parts which enables the Series Seven Ferrograph to be mounted into a standard 19 in. rack, when the total height is 17 $\frac{1}{2}$ in.

Quantity	Description	Part Number
1	Bracket, Left Hand Side Support	095-075
1	Bracket, Right Hand Side Support	095-076
4	Bolt, $\frac{1}{4}$ B.S.F. x 1 $\frac{1}{2}$ in., Hex. Hd.	666-103
4	Spacer	698-031
1	*Plate Cover	573-063

*An alternative panel assembly (022-066) is available for fitting the Signal-operated Switching Unit with the recorder, when the total height is 22 $\frac{1}{2}$ in.

Resistors (R) and Potentiometers (RV)

R100	68 Ω	2W	Wire-wound	626-002
R101	220 Ω	2W	Wire-wound	626-003
R102	15 Ω	½W	20%	625-08-15
RV103	2.5K Ω	25W	Wire-wound	582-000
R104	15 Ω	½W	20%	625-08-15
R105	500 Ω	18W	Wire-wound	626-000
R106	15 Ω	½W	20%	625-08-15
HR107	3.3K Ω	½W	20%	625-14-3K3
R108	220 Ω	2W	Wire-wound	626-003
R109	1K Ω	½W	20%	625-08-1K
R110	15 Ω	½W	20%	625-08-15
R111	4.7M Ω	½W	10%	625-07-4M7
R112	4.7M Ω	½W	10%	625-07-4M7
R113	68K Ω	½W	10%	625-07-68K
R114	2.7K Ω	½W	10%	625-07-2K7
R115	4.7K Ω	½W	10%	625-07-4K7

Capacitors

C100	0.1 μF	250V	A.C. Working	132-000
C101	0.75 μF	450V	A.C. Working	132-001
C102	0.1 μF	250V	A.C. Working	132-000
C103	0.1 μF	250V	A.C. Working	132-000
C104	0.1 μF	250V	A.C. Working	132-000
HC105	250 μF	40V	Electrolytic	130-003
C106	0.47 μF	250V	10%	131-512

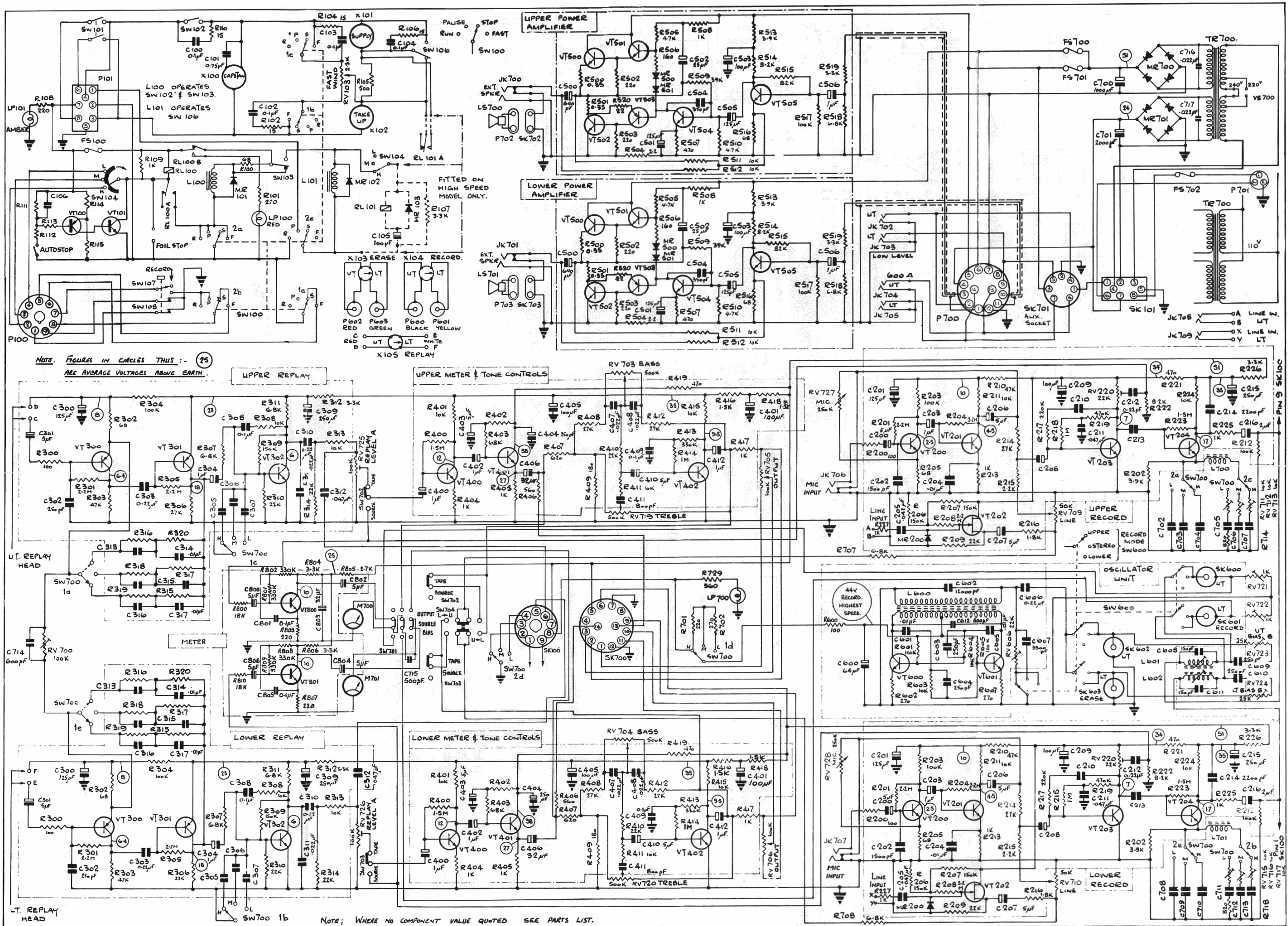
Miscellaneous

SW100	Function Switch	750-007
SW101	Mains Switch (Rotary, 2 pole)	750-004
SW102	Start Switch (Motors)	748-001
SW103	Start Switch (Economy)	748-001
SW104	Speed Change Switch (Wafer)	750-002
SW106	Run Switch	748-001
SW107	Record Switch (Oscillator)	748-001
SW108	Record Contacts (Head)	
X100	Capstan Motor (240V)	022-003
X101	Supply Reel Motor (150V)	022-010
X102	Take-up Reel Motor (150V)	022-011

		713	715	702-722	704-724
X103	Erase Head	BE7	BE12	BE16	BE28
X104	Record Head	BR7z	BR12z	BR16z	BR28z
X105	Replay Head	BP7z	BP12z	BP16z	BP28z
RL100	Auto Stop Relay (24V)				622-000
HRL101	Take-up Relay (15 in/sec. only) (24V)				622-000
L100	Start Solenoid				025-084
L101	Run Solenoid				025-083
MR101	Diode OA200 (or BAX 16)				290-001
MR102	Diode OA200 (or BAX 16)				290-001
HMR103	Diode OA200 (or BAX 16)				290-001
P100	Plug, 9 way				577-007
P101	Plug, 8 way				577-001
LP100	Lamp, LES, 14V				455-002
LP101	Lamp, LES, 14V				455-002
FS100	Fuse, 1 Amp, 5 mm. dia. x 20 mm.				380-000
VT100	Transistor BC154LB (or BC263, or BC214LB)				825-007
VT101	Transistor BC182LB				825-012

H Used on High Speed Models only (15, 7½, 3½ in/sec.)

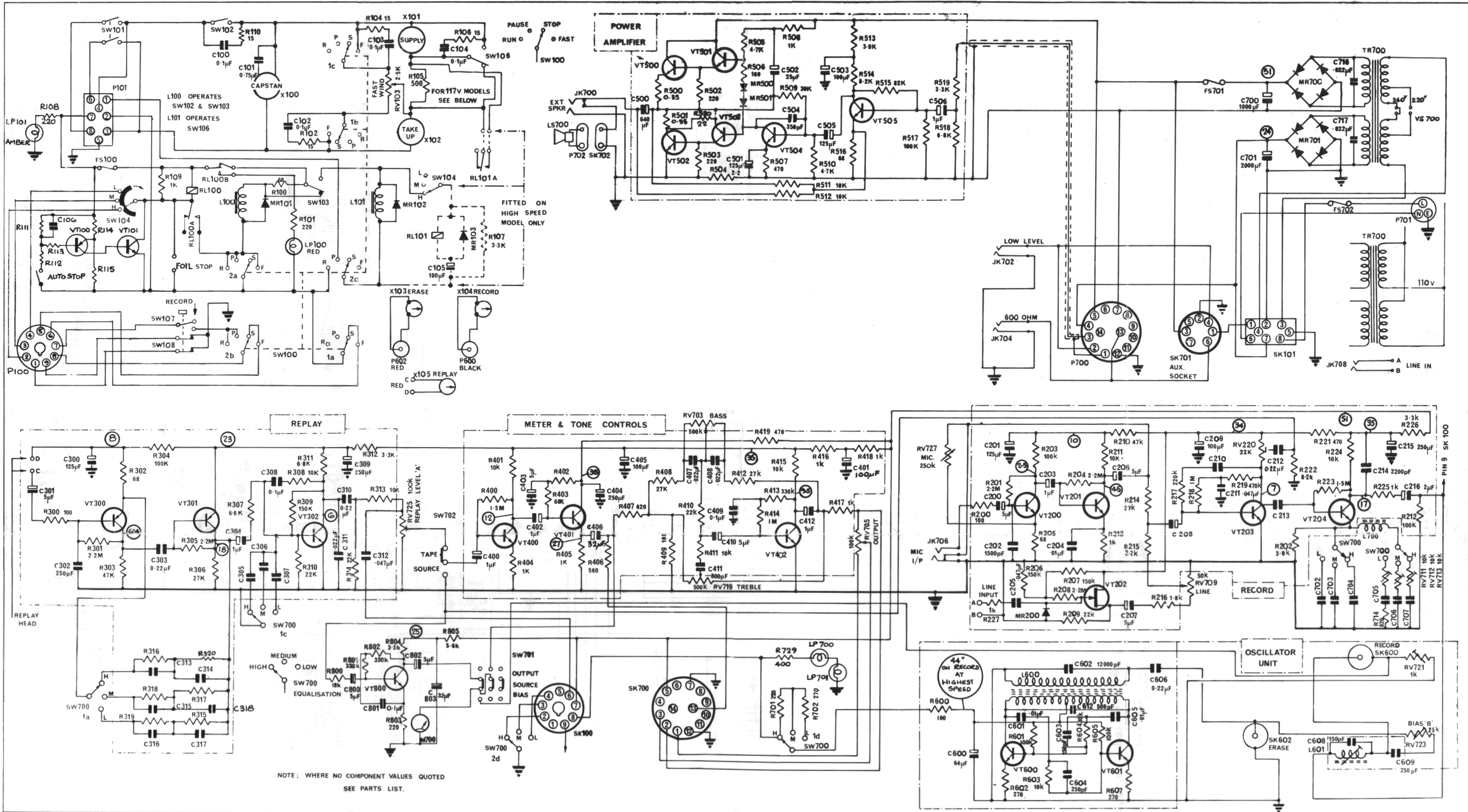
FERROGRAPH SERIES SEVEN MK.2



Circuit diagram of Ferrograph Mk.2 Models 722 & 724 Stereo (Serial No. 78800/2 onwards)

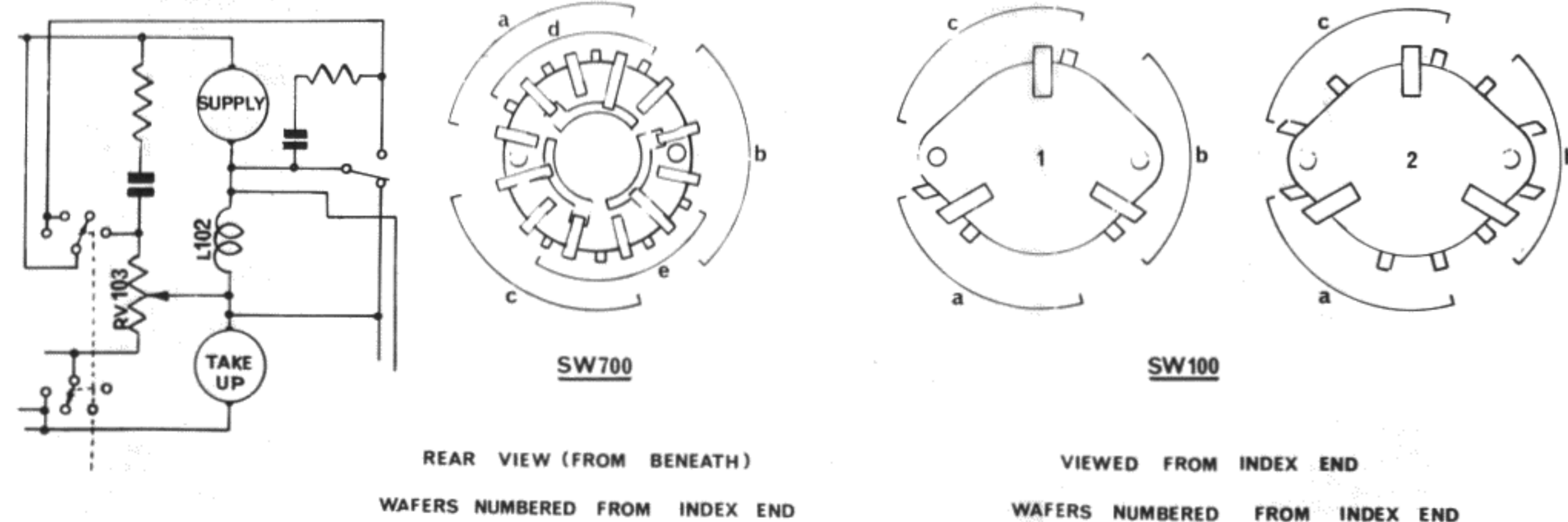
For Reel Motor Wiring of models Ser. No. 81,120 onwards see circuit detail overleaf.

FERROGRAPH SERIES SEVEN MK.2



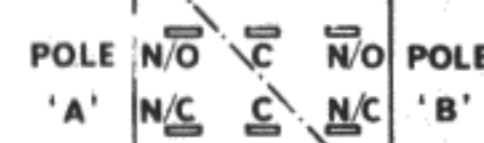
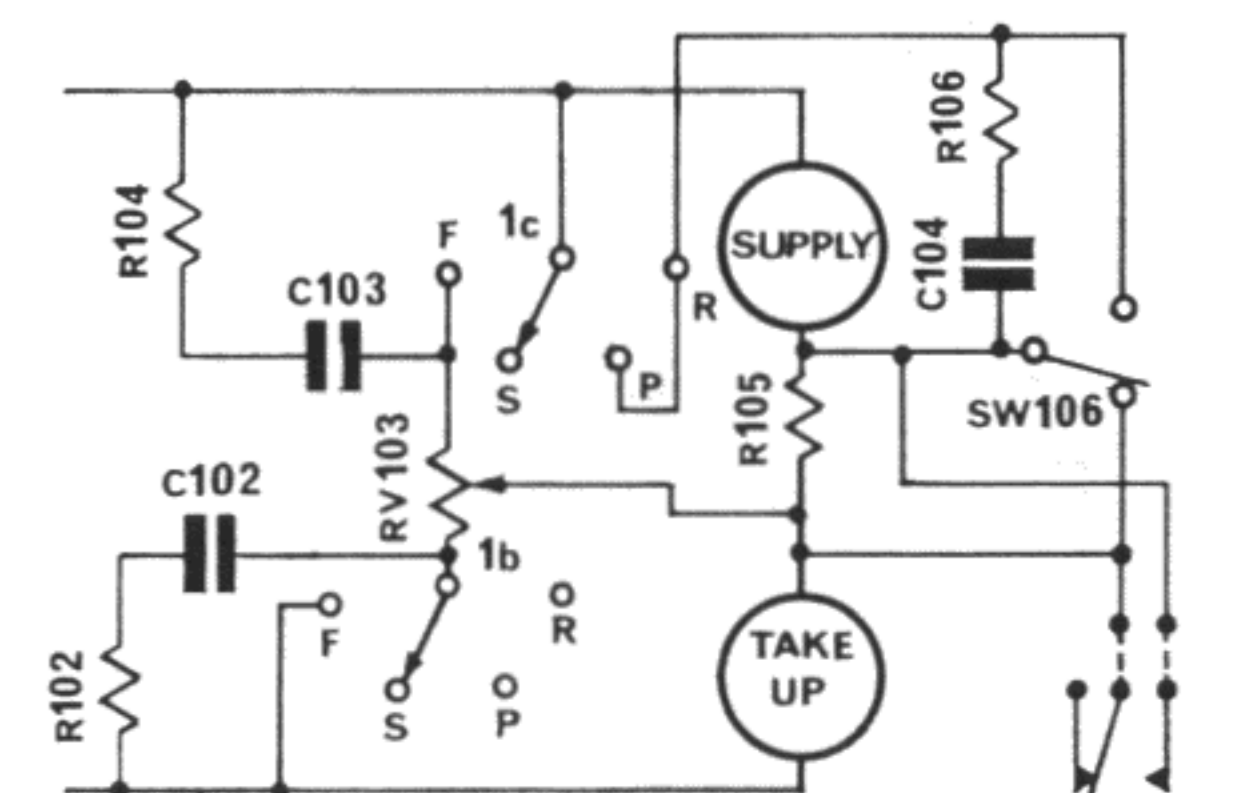
Circuit diagram of Ferrograph Mk.2 Models 713, 713H Mono (Serial No. 78800/2 onwards)

REEL MOTOR WIRING 117V MODELS



REEL MOTOR WIRING

All models (Mono & Stereo) - Serial Nos. 81,120 onwards



RL100
RL101

