

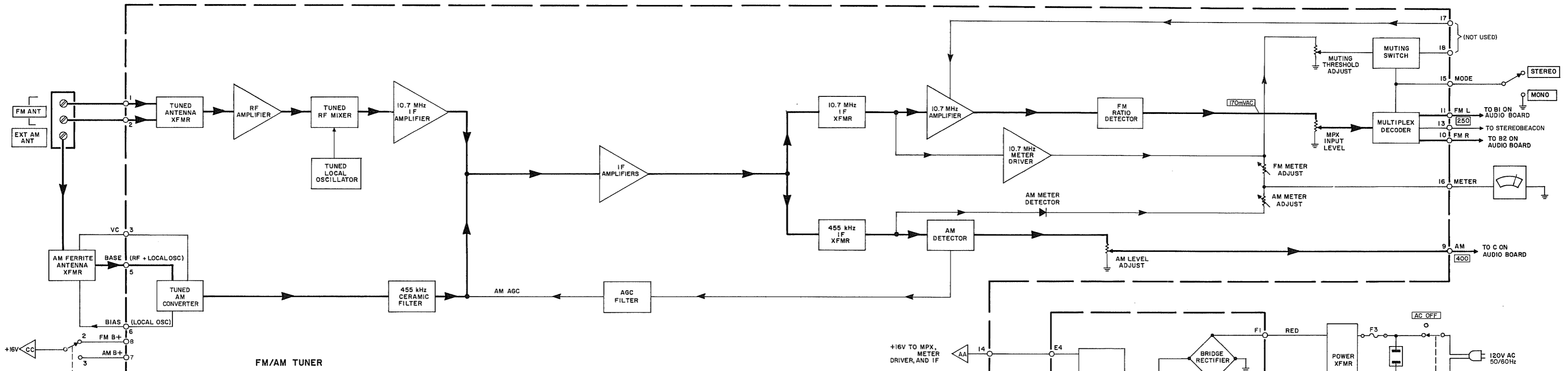
FISHER 170, 173, Cutom 177,  
180, 185, Custom 187 Receivers

The attached schematic diagrams and signal flow diagrams will provide service information until complete service manuals are available.

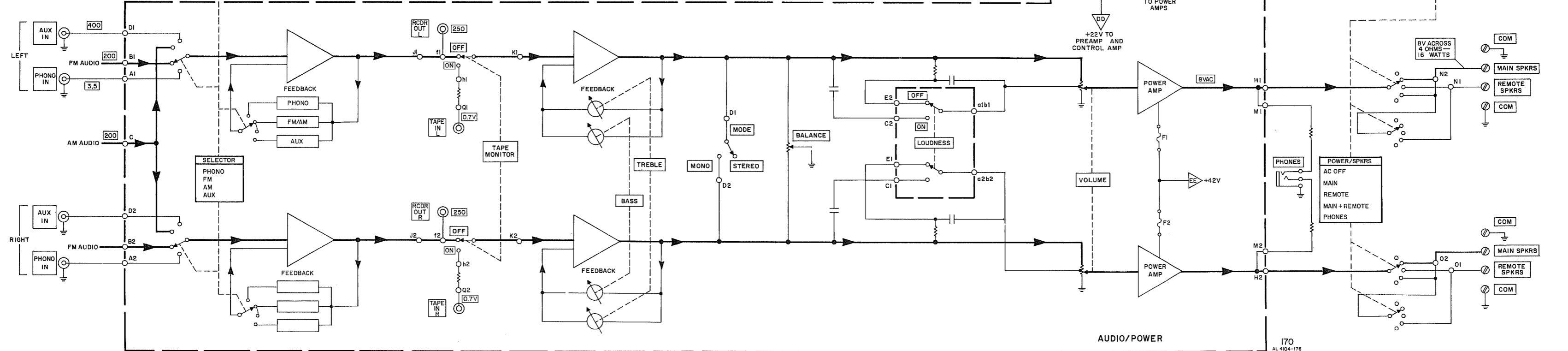
The diagrams marked 170 cover the 173 and 177 also.

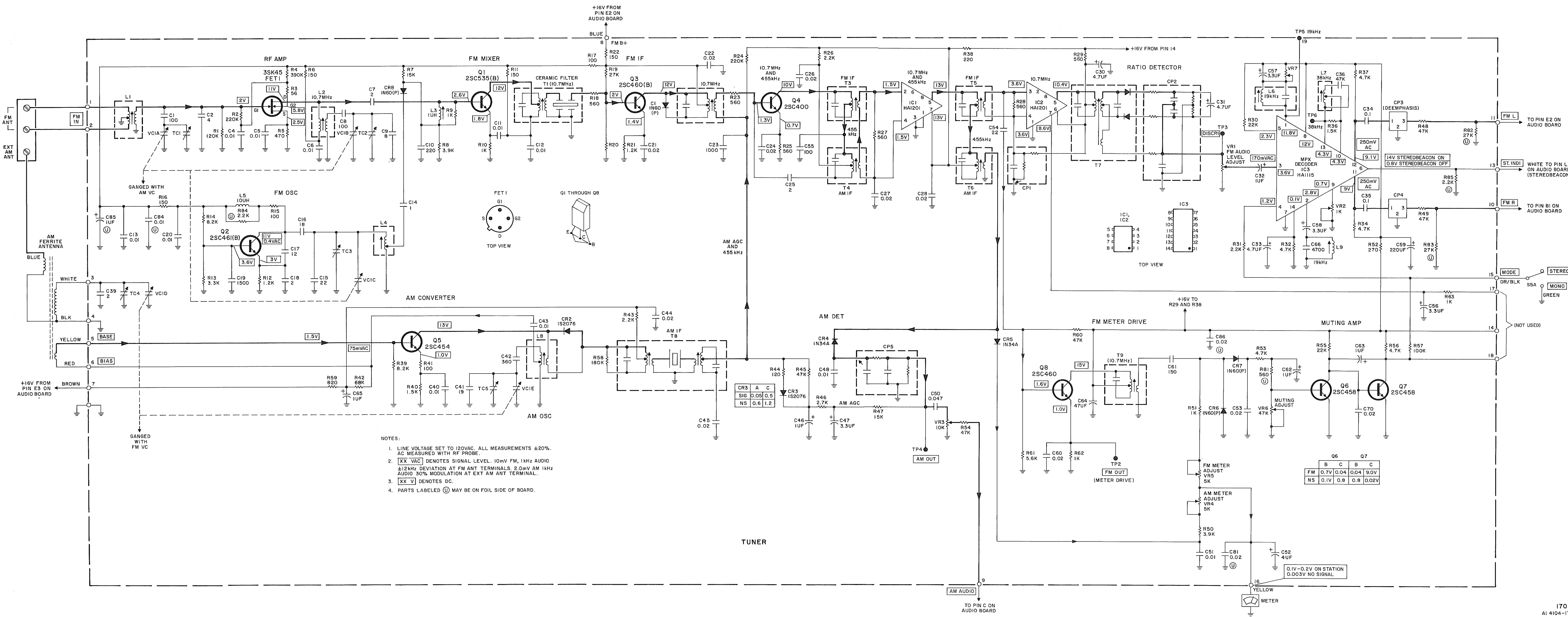
The diagrams marked 180 cover the 185 and 187.





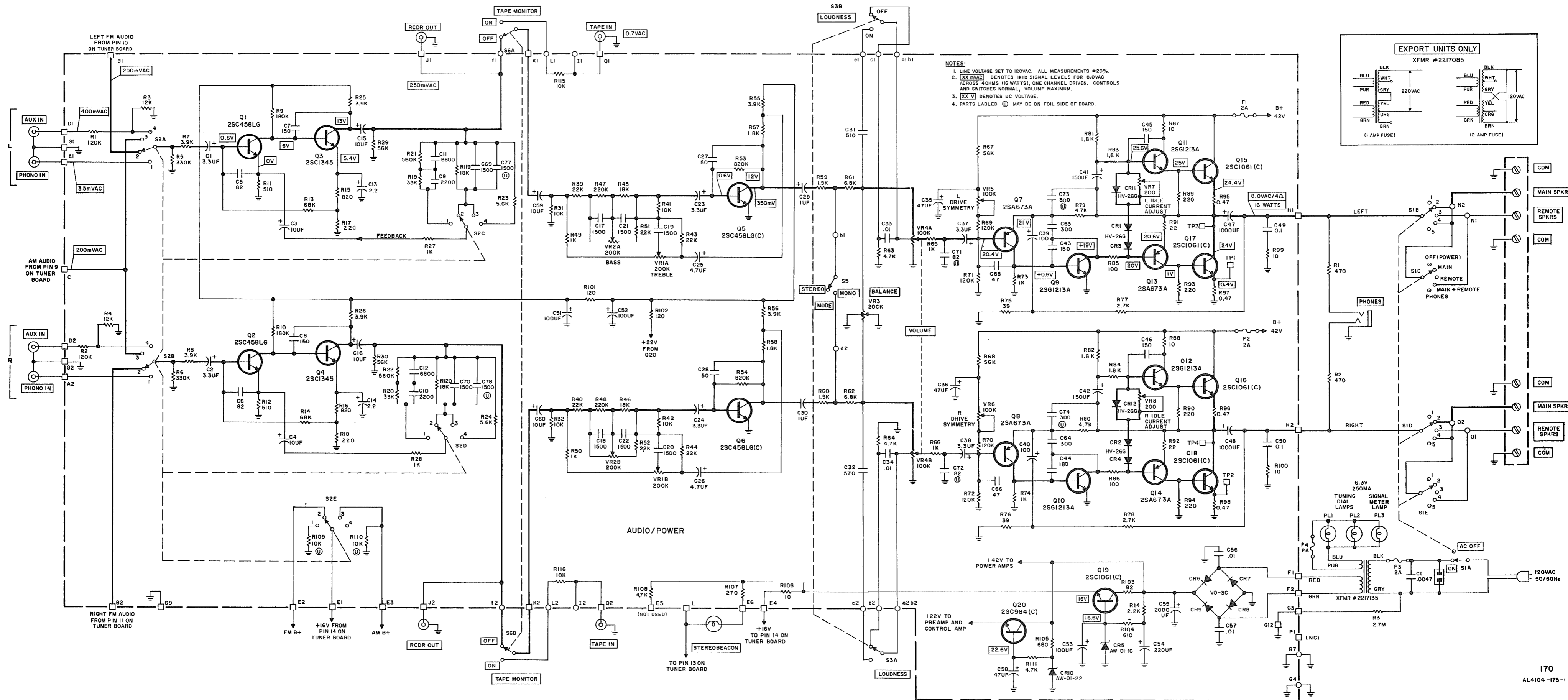
NOTES:  
 1. LINE VOLTAGE SET TO 120VAC FOR ALL VOLTAGE MEASUREMENTS. EXCEPT AS NOTED, ALL MEASUREMENTS ±20%.  
 2. [XXX] DENOTES 1kHz SIGNAL LEVELS (IN MILLIVOLTS) FOR 9V OUTPUT ACROSS 4-OHM LOAD, ONE CHANNEL DRIVEN, CONTROLS AND SWITCHES NORMAL, VOLUME MAXIMUM, 10mV FM, 1kHz AUDIO ±12kHz DEVIATION AT FM ANT TERMINALS; 2.0mV AM 1kHz AUDIO 30% MODULATION AT EXT AM ANT TERMINAL.



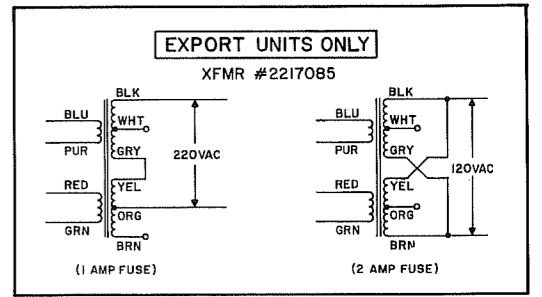


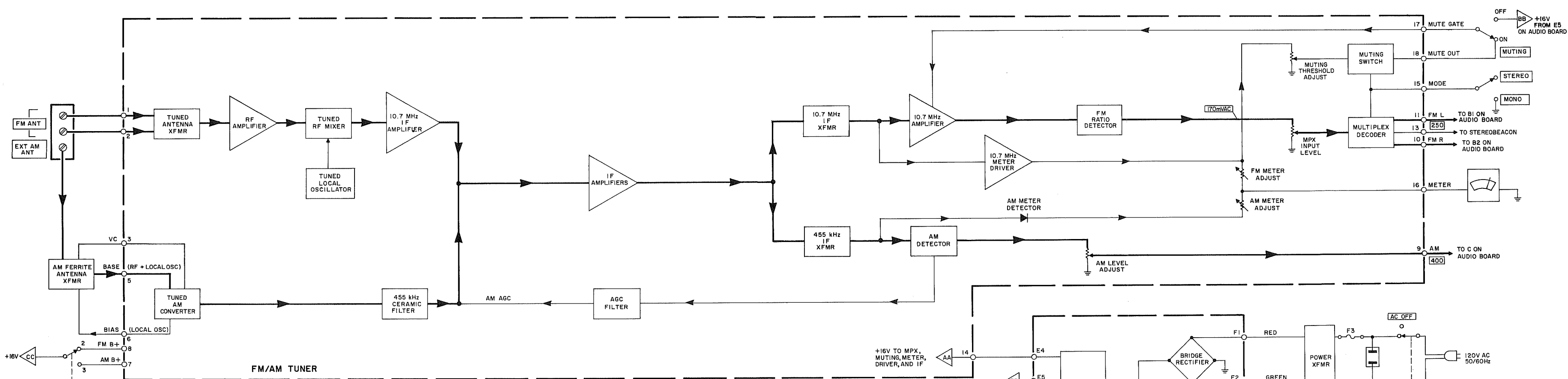
- NOTES:
1. LINE VOLTAGE SET TO 120VAC. ALL MEASUREMENTS  $\pm 20\%$ . AC MEASURED WITH RF PROBE.
  2. [XX VAC] DENOTES SIGNAL LEVEL. 10mV FM, 1kHz AUDIO  $\pm 12$ kHz DEVIATION AT FM ANT TERMINALS. 2.0mV AM 1kHz AUDIO 30% MODULATION AT EXT AM ANT TERMINAL.
  3. [XX V] DENOTES DC.
  4. PARTS LABELED (U) MAY BE ON FOIL SIDE OF BOARD.

Q6		Q7	
FM	NS	B	C
0.7V	0.1V	0.04	0.8
0.04	0.8	0.04	0.02V



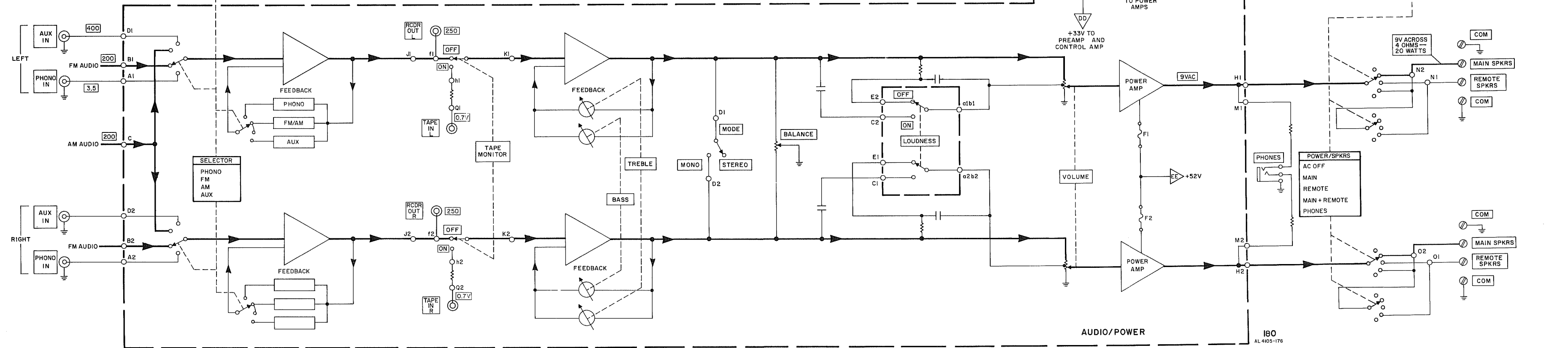
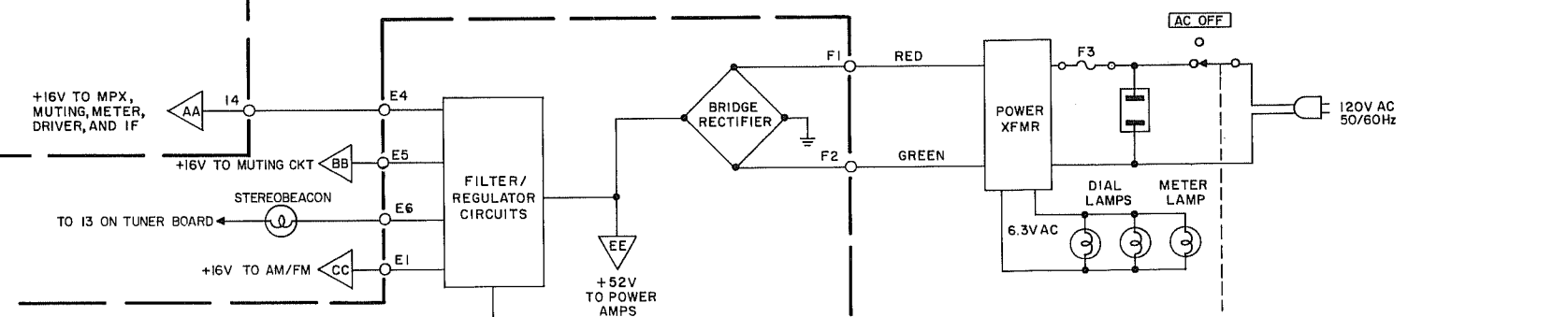
**NOTES:**  
 1. LINE VOLTAGE SET TO 120VAC. ALL MEASUREMENTS ±20%.  
 2. [XX mVAC] DENOTES 1kHz SIGNAL LEVELS FOR 8.0VAC ACROSS 4 OHMS (16 WATTS), ONE CHANNEL DRIVEN. CONTROLS AND SWITCHES NORMAL, VOLUME MAXIMUM.  
 3. [XX V] DENOTES DC VOLTAGE.  
 4. PARTS LABELED Ⓢ MAY BE ON FOIL SIDE OF BOARD.

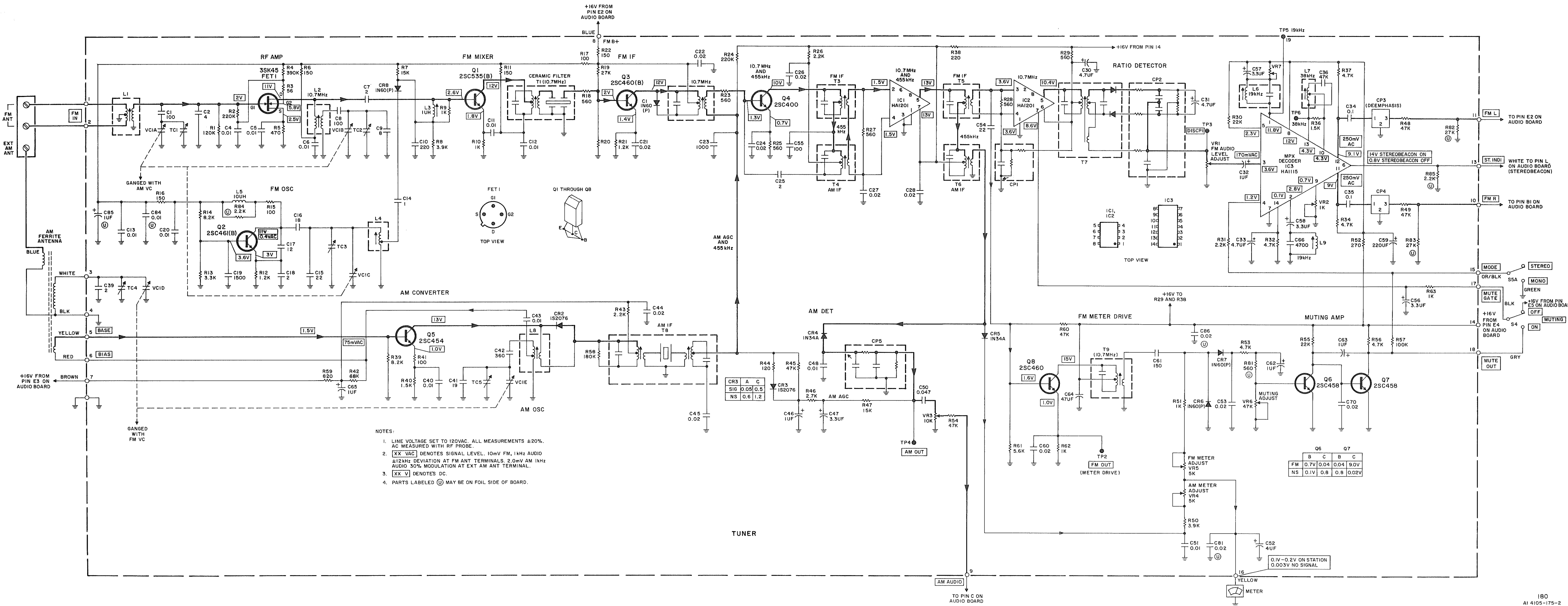




**NOTES:**

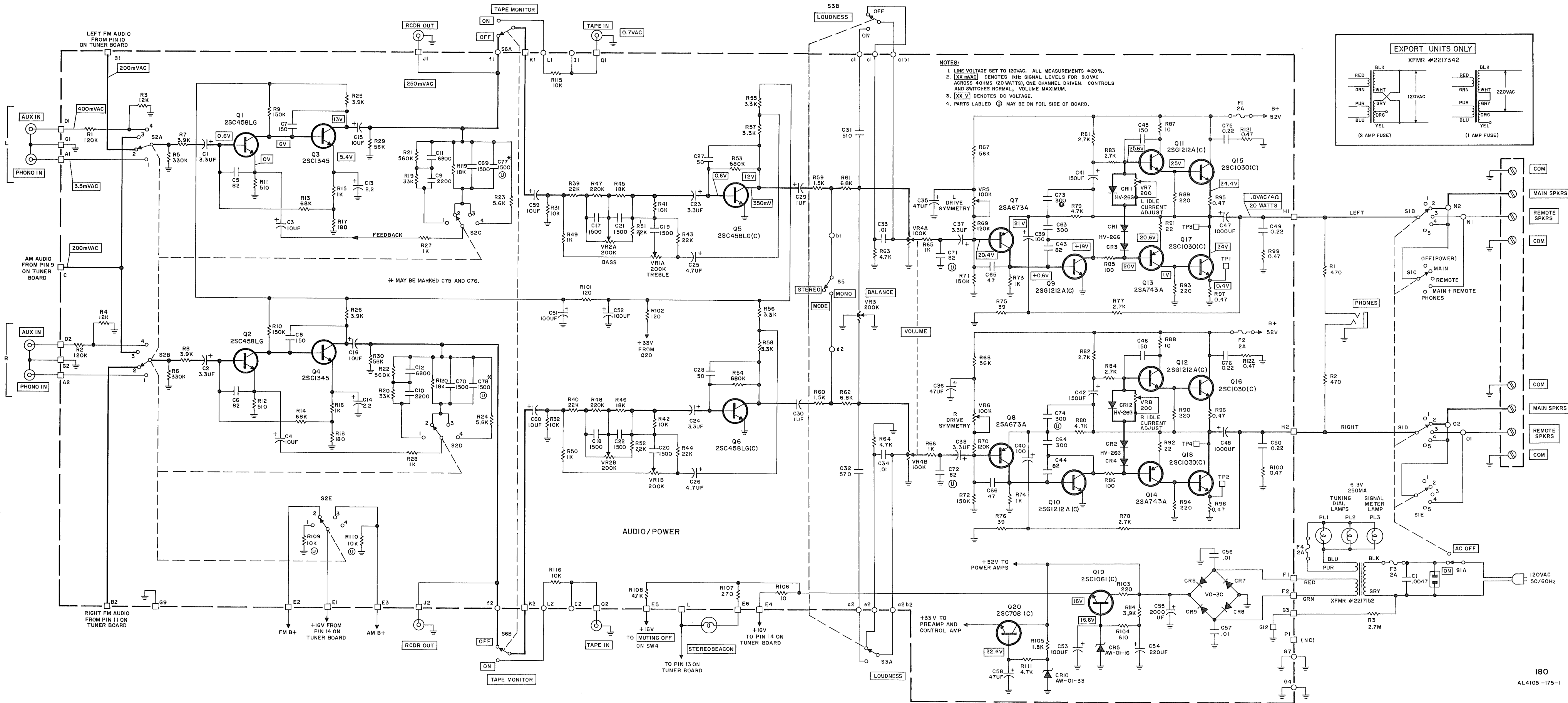
1. LINE VOLTAGE SET TO 120VAC FOR ALL VOLTAGE MEASUREMENTS. EXCEPT AS NOTED, ALL MEASUREMENTS  $\pm 20\%$ .
2. [Symbol] DENOTES 1kHz SIGNAL LEVELS (IN MILLIVOLTS) FOR 9V OUTPUT ACROSS 4-OHM LOAD, ONE CHANNEL DRIVEN, CONTROLS AND SWITCHES NORMAL, VOLUME MAXIMUM, 10mV FM, 1kHz AUDIO  $\pm 12$  kHz DEVIATION AT FM ANT TERMINALS; 2.0mV AM 1kHz AUDIO 30% MODULATION AT EXT AM ANT TERMINAL.



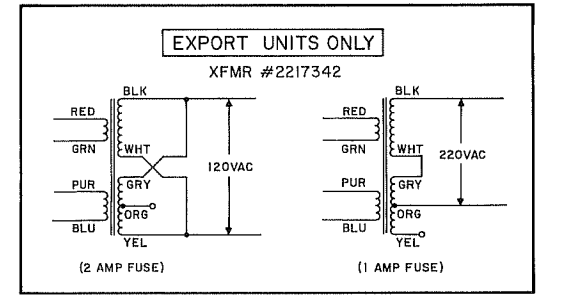


- NOTES:
1. LINE VOLTAGE SET TO 120VAC. ALL MEASUREMENTS  $\pm 20\%$ . AC MEASURED WITH RF PROBE.
  2. [XX VAC] DENOTES SIGNAL LEVEL. 10mV FM, 1kHz AUDIO  $\pm 12$ kHz DEVIATION AT FM ANT TERMINALS. 2.0mV AM 1kHz AUDIO 30% MODULATION AT EXT AM ANT TERMINAL.
  3. [XX V] DENOTES DC.
  4. PARTS LABELED (U) MAY BE ON FOIL SIDE OF BOARD.

	B	C	B	C
FM	0.7V	0.04	0.04	90V
NS	0.1V	0.8	0.8	0.02V



NOTES:  
1. LINE VOLTAGE SET TO 120VAC. ALL MEASUREMENTS  $\pm 20\%$ .  
2. [XX mVAC] DENOTES 1kHz SIGNAL LEVELS FOR 9.0VAC ACROSS 40HMS (20 WATTS), ONE CHANNEL DRIVEN, CONTROLS AND SWITCHES NORMAL, VOLUME MAXIMUM.  
3. [XX V] DENOTES DC VOLTAGE.  
4. PARTS LABELED Ⓢ MAY BE ON FOIL SIDE OF BOARD.



AUDIO/POWER