

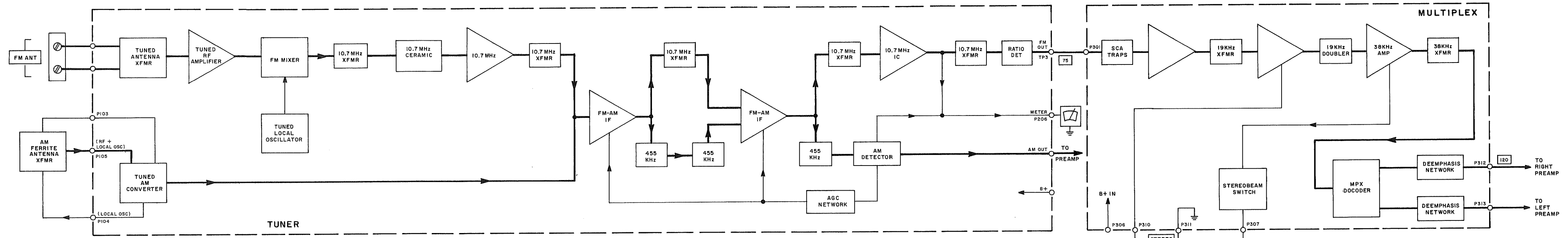
FISHER 28 and 29 FM-AM COMPACT
SERVICE INFORMATION

The attached diagrams will provide information for servicing The Fisher 28 and 29 electronics until complete service manuals are available.

The 28/29 include a BSR model C141B automatic record changer. The service manual for this changer is available from Fisher Radio or from BSR.

The 28/29 include a Pickering V15/AT2 pickup.





NOTES:
 1. LINE VOLTAGE SET TO 120VAC FOR ALL VOLTAGE MEASUREMENTS. EXCEPT AS NOTED, ALL MEASUREMENTS $\pm 20\%$.
 2. [XX] DENOTES 1KHz SIGNAL LEVELS (IN MILLIVOLTS) FOR 6V OUTPUT ACROSS 4-OHM LOAD, ONE CHANNEL DRIVEN, CONTROLS AND SWITCHES NORMAL, VOLUME MAXIMUM. 10mV FM, 1KHz AUDIO ± 19 KHz DEVIATION AT FM ANT TERMINALS; 2.0mV AM 1KHz AUDIO 30% MODULATION AT EXT AM ANT TERMINAL.
 3. [XX V] DENOTES DC VOLTAGE.

