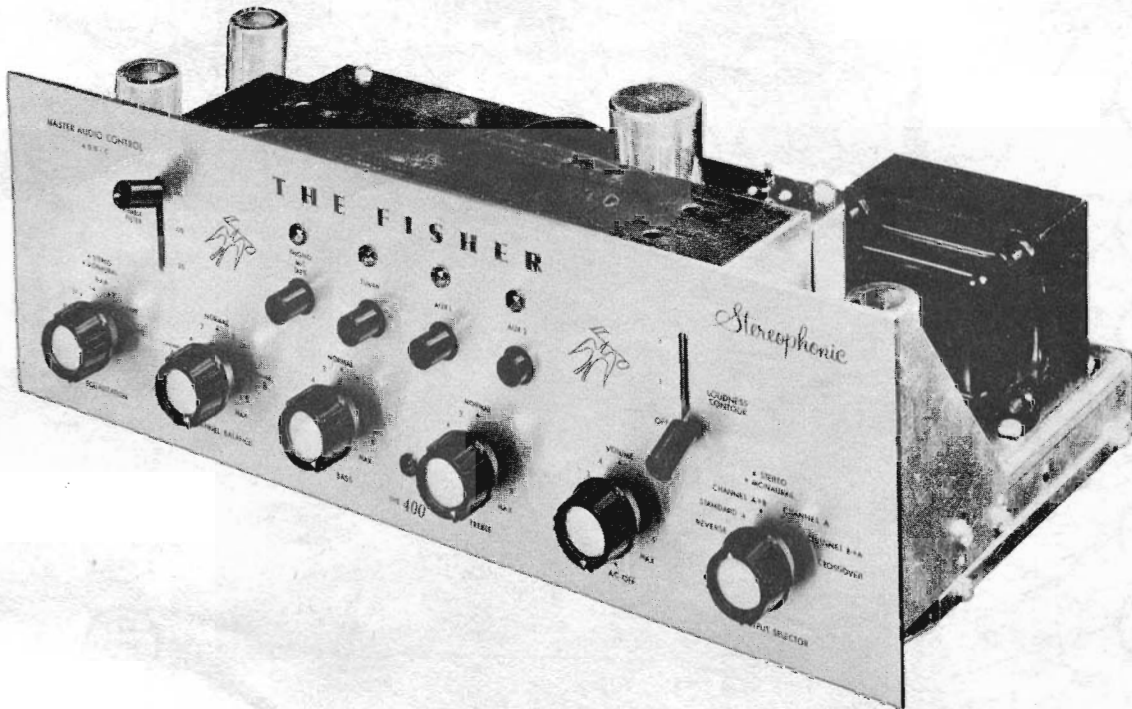


FISHER  
MODEL 400C



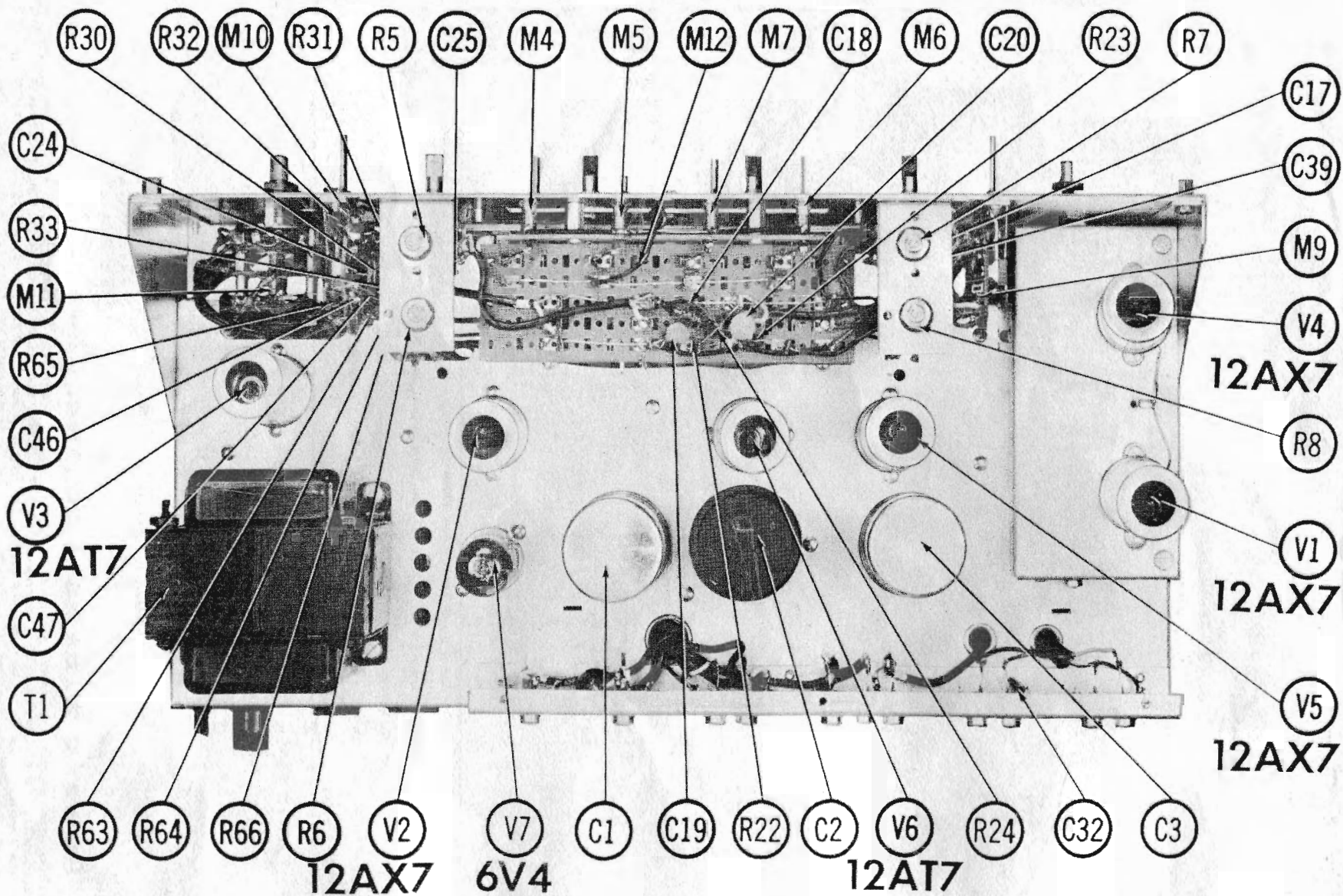
FISHER  
MODEL 400C

TRADE NAME	Fisher Model 400-C (Serial #10001-19999 inclusive)		
MANUFACTURER	Fisher Radio Corp., 21-21 44th Drive, Long Island City 1, N. Y.		
TYPE SET	AC Operated Stereo Amplifier		
TUBES	Seven		
POWER SUPPLY	110-125 Volts AC, 60 Cycles	RATING	32 Watts, .30 Amp. @ 117 Volts AC

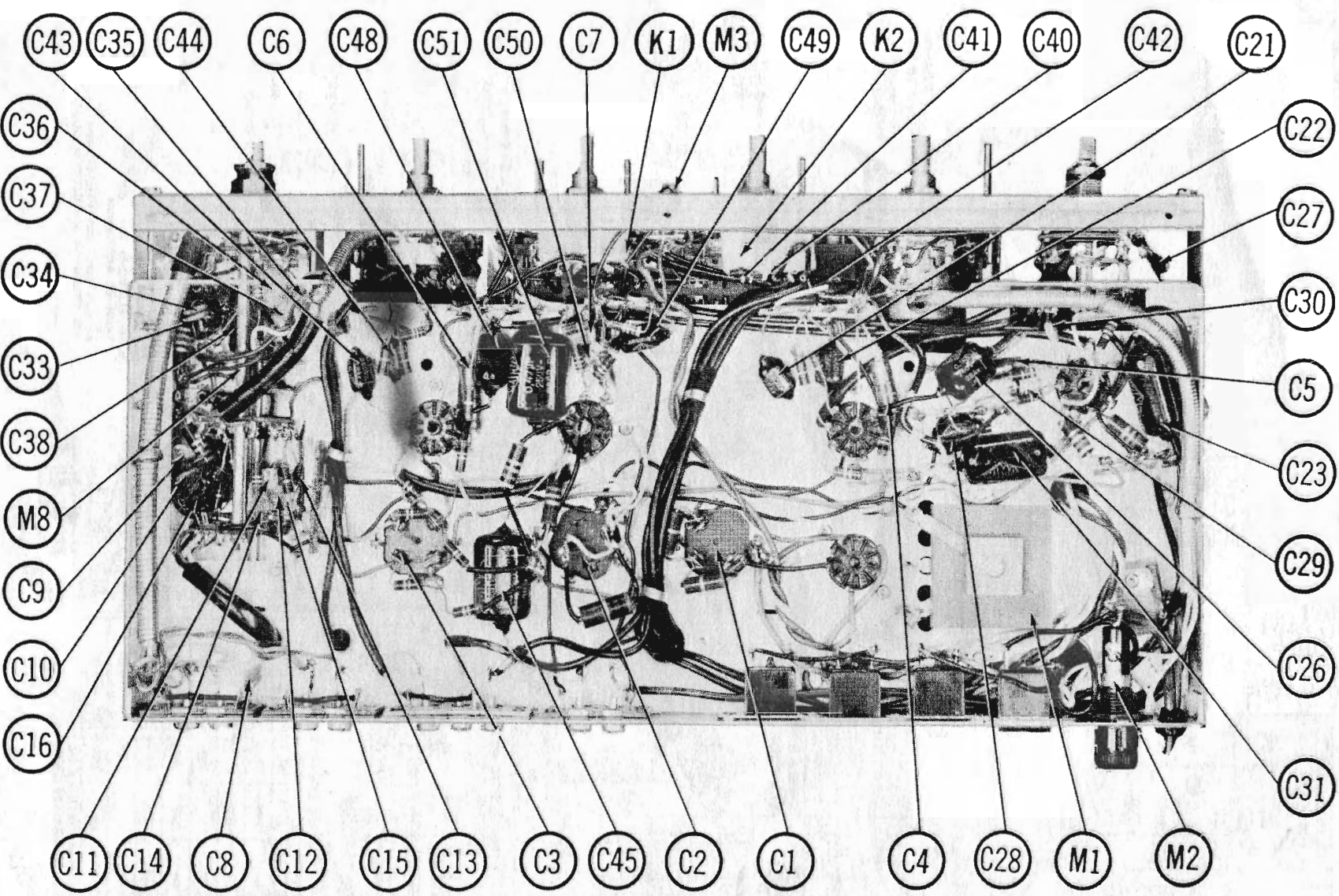
**HOWARD W. SAMS & CO., INC. Indianapolis 6, Indiana**

The listing of any available replacement part herein does not constitute in any case a recommendation, warranty or guaranty by Howard W. Sams & Co., Inc., as to the quality and suitability of such replacement part. The numbers of these parts have been compiled from information furnished to Howard W. Sams & Co., Inc., by the manufacturers of H875

the particular type of replacement part listed. Reproduction or use, without express permission, of editorial or pictorial content, in any manner, is prohibited. No patent liability is assumed with respect to the use of the information contained herein. © 1959 Howard W. Sams & Co., Inc., Indianapolis 6, Indiana. Printed in U.S. of America



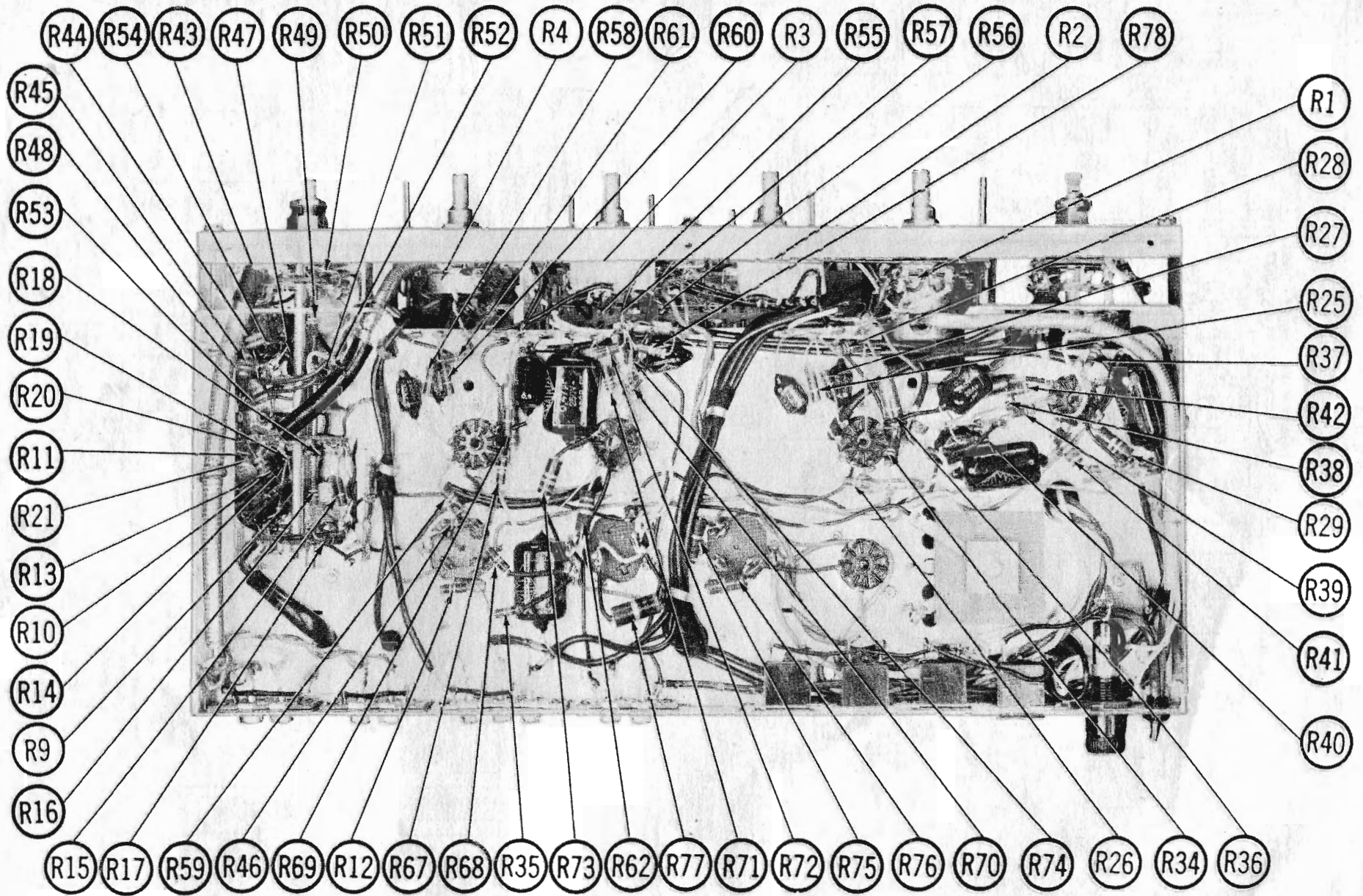
CHASSIS-TOP VIEW



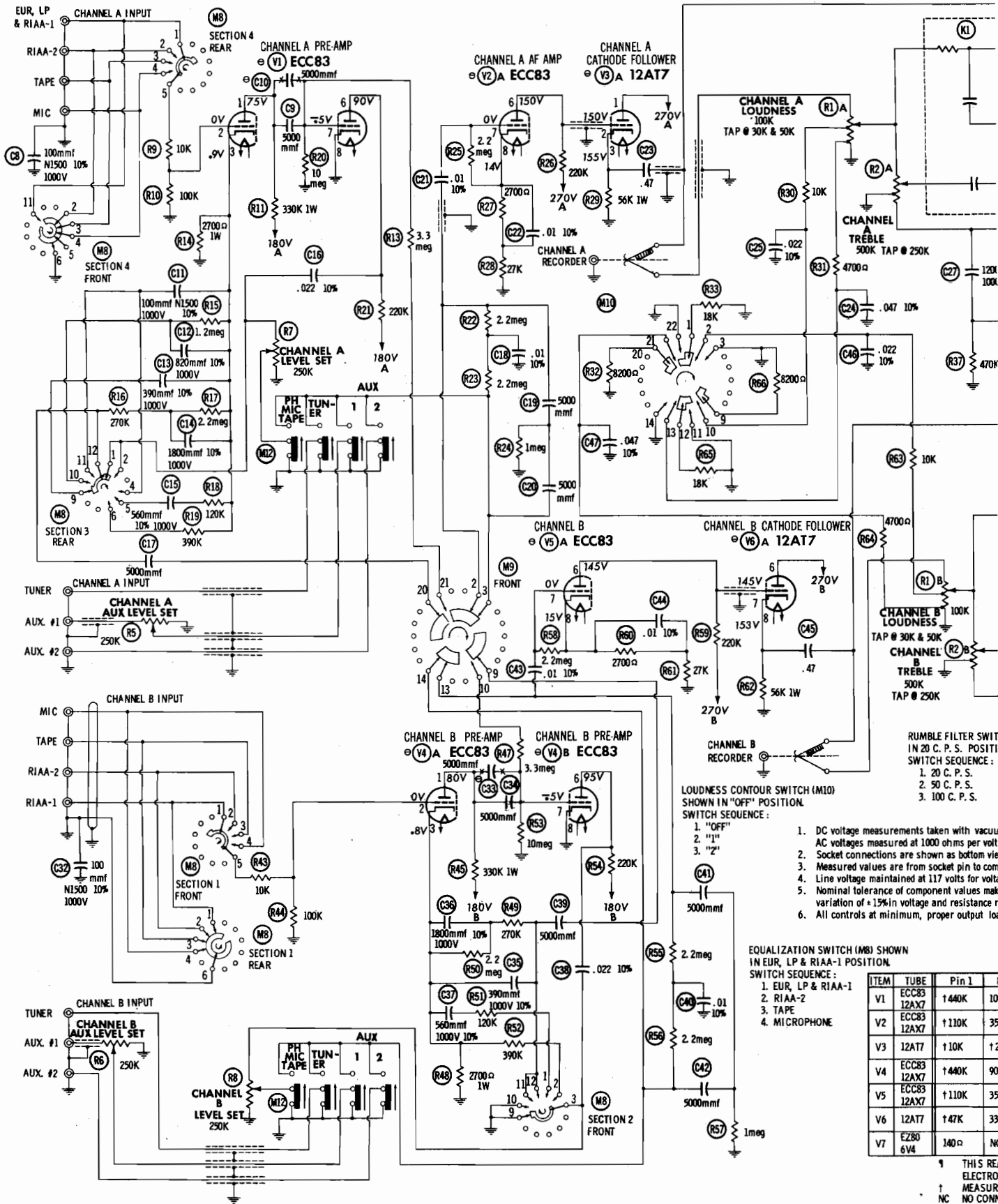
CHASSIS BOTTOM VIEW - CAPACITOR & MISC. IDENT.

FISHER  
MODEL 400C





CHASSIS-BOTTOM VIEW-RESISTOR IDENTIFICATION



RUMBLE FILTER SWITCH IN 20 C. P. S. POSITION SWITCH SEQUENCE:

- 20 C. P. S.
- 50 C. P. S.
- 100 C. P. S.

LOUDNESS CONTOUR SWITCH (M10) SHOWN IN "OFF" POSITION SWITCH SEQUENCE:

- "OFF"
- "1"
- "2"

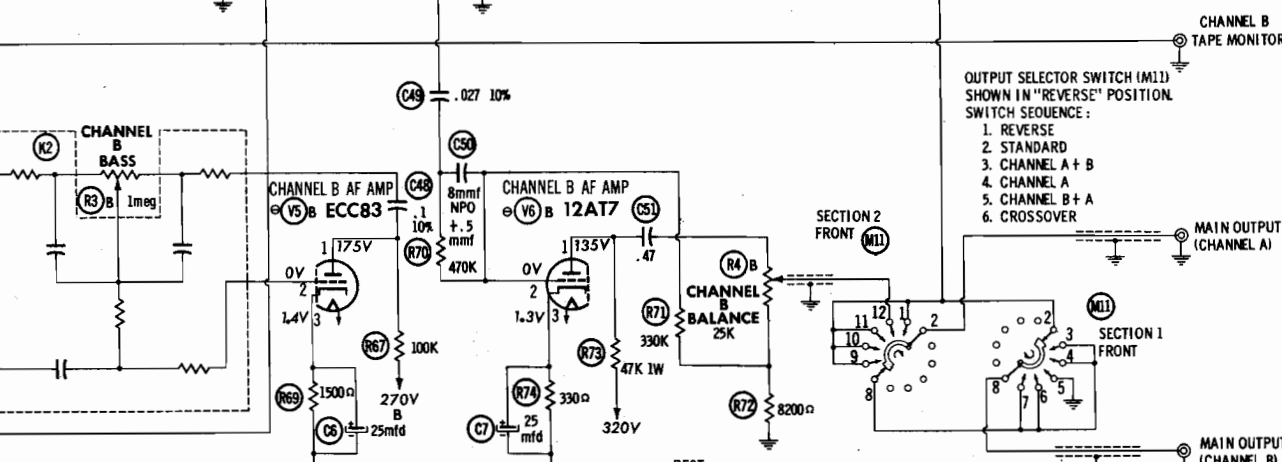
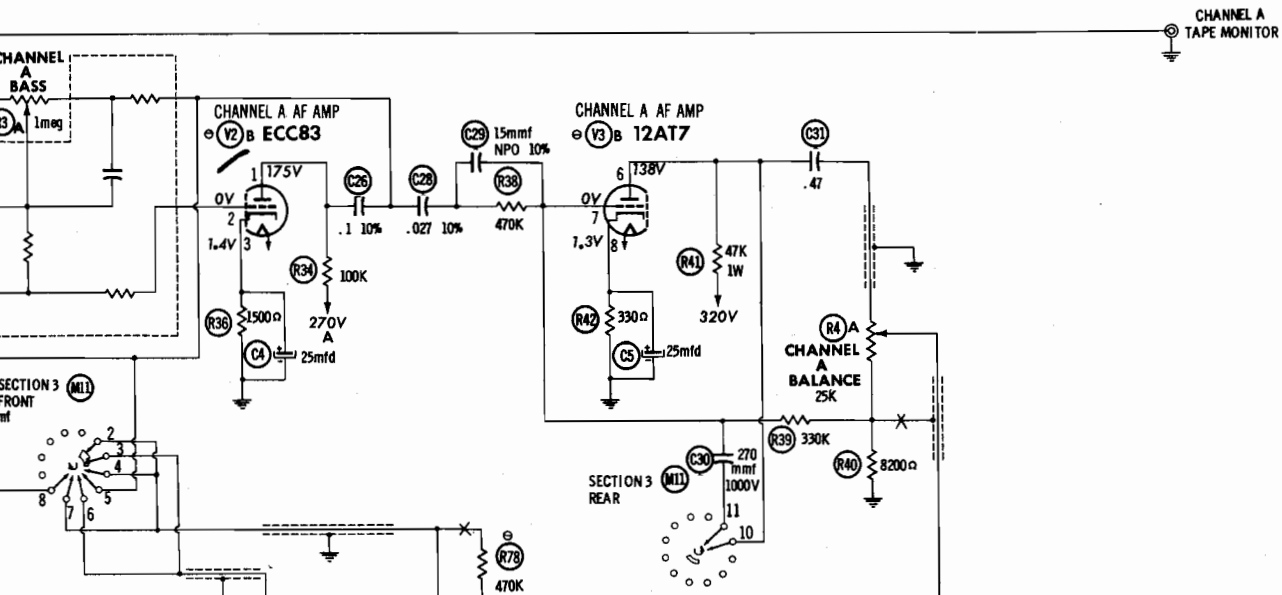
EQUALIZATION SWITCH (M8) SHOWN IN EUR, LP & RIAA-1 POSITION SWITCH SEQUENCE:

- EUR, LP & RIAA-1
- RIAA-2
- TAPE
- MICROPHONE

ITEM	TUBE	Pin 1	Pin 2
V1	ECC83	+140K	10
V2	12AX7	+110K	35
V3	12A7	+110K	12
V4	ECC83	+140K	90
V5	ECC83	+110K	35
V6	12A7	+17K	33
V7	E280 6V4	140Ω	NC

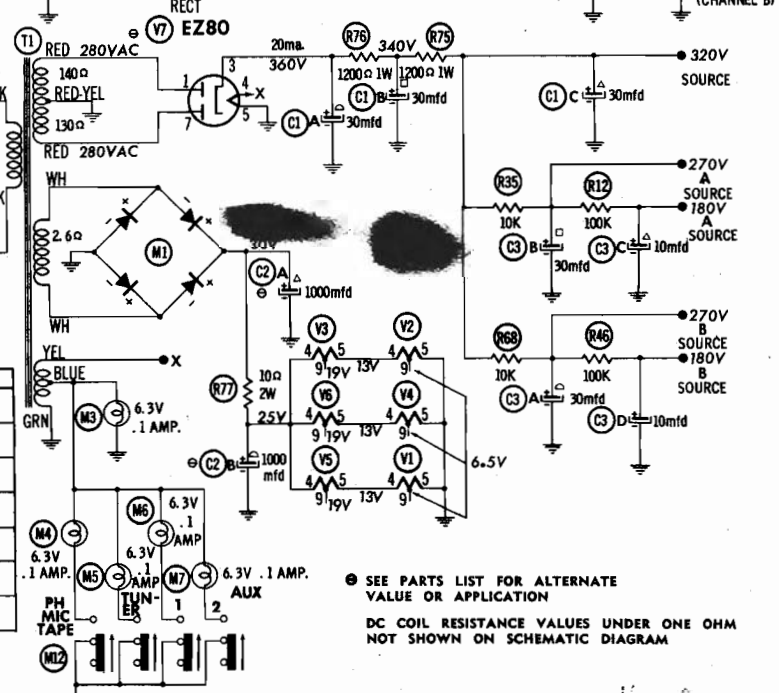
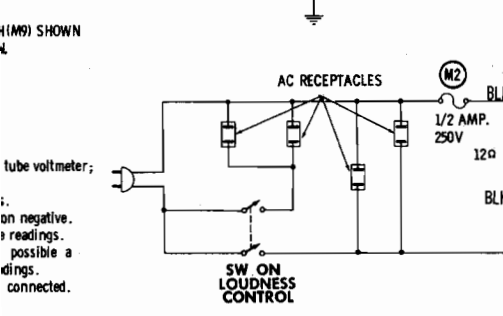
1 THIS REF ELECTRO MEASURE NC NO CONN

A PHOTOFAC STANDARD NOTATION SCHEMATIC  
 © Howard W. Sams & Co., Inc. 1959



OUTPUT SELECTOR SWITCH (M11) SHOWN IN "REVERSE" POSITION. SWITCH SEQUENCE:

1. REVERSE
2. STANDARD
3. CHANNEL A + B
4. CHANNEL A
5. CHANNEL B + A
6. CROSSOVER



RESISTANCE READINGS

Pin 2	Pin 3	Pin 4	Pin 5	Pin 6	Pin 7	Pin 8	Pin 9
2700Ω	10Ω	0Ω	†330K	10meg	0Ω	6Ω	
1500Ω	10Ω	0Ω	†230K	2.2meg	30K	6Ω	
56K	8Ω	10Ω	†47K	330K	330Ω	9Ω	
2700Ω	10Ω	0Ω	†330K	10meg	0Ω	6Ω	
1500Ω	8Ω	10Ω	†230K	2.2meg	30K	9Ω	
330Ω	8Ω	10Ω	†10Ω	†230K	56K	9Ω	
1	.4Ω	0Ω	NC	130Ω	NC	NC	

READING WILL VARY DEPENDING UPON THE CONDITION OF THE THERMISTOR CAPACITOR CONNECTED IN THE ASSOCIATED CIRCUIT.

† FROM PIN 3 OF V7.

SECTION

1 Prop. Load

FISHER MODEL 400C

500k linear

100k w/switch

Radio

Cap. C1 = 30/30/30

C3 30/30/10

350/100

700/100

# PARTS LIST AND DESCRIPTIONS

## TUBES (GENERAL ELECTRIC, SYLVANIA)

ITEM No.	USE	TYPE	ITEM No.	USE	TYPE
V1	Ch. A Preamplifier	ECC83/12AX7 ①	V5	Ch. B AF Amplifier	ECC83/12AX7 ①
V2	Ch. A AF Amplifier	ECC83/12AX7 ①	V6	Ch. B Cath. Follower - AF Amplifier	12AT7/ECC81 ①
V3	Ch. A Cath. Follower - AF Amplifier	12AT7/ECC81 ①	V7	Rectifier	EZ80/6V4 ①
V4	Ch. B Preamplifier	ECC83/12AX7 ①			

① Domestic type listed may not be directly interchangeable in some instances.

## ELECTROLYTIC CAPACITORS

ITEM No.	RATING		REPLACEMENT DATA						NOTES
	CAP.	VOLT.	FISHER PART No.	AEROVOX PART No.	CORNELL-DUBILIER PART No.	MALLORY PART No.	PYRAMID PART No.	SANGAMO PART No.	
CLA	30	400	C-657-125	AFH3-39	C0300	FP376.7	TMT-46	T-155	TVLS-3673.5*
B	30	350							
C	30	350							
C2A	1000	30	C-552-106 ①						TVLS-2242 *
B	1000	30							
C3A	30	300	C-657-126	AFH4-06	D0020	FP446.6	TMQ-14	Q-035	TVLS-4563.5*
B	30	300							
C	10	200							
D	10	200							
C4	25	6	C-639-114	SRE6V25	BBR25-6	TT6X25	TD-25-25	MMT-625	TE-1091
C5	25	6	C-639-114	SRE6V25	BBR25-6	TT6X25	TD-25-25	MMT-625	TE-1091
C6	25	6	C-639-114	SRE6V25	BBR25-6	TT6X25	TD-25-25	MMT-625	TE-1091
C7	25	6	C-639-114	SRE6V25	BBR25-6	TT6X25	TD-25-25	MMT-625	TE-1091

① Use Part #C-546-116 to replace C-552-106.

\* Not normally in distributors stock. Available thru distributor on order to manufacturer.

## FIXED CAPACITORS

Capacity values given in the rating column are in mfd. for Paper Capacitors, and in mmfd. for Mica and Ceramic Capacitors.

ITEM No.	RATING		REPLACEMENT DATA						NOTES
	CAP.	VOLT.	FISHER PART No.	AEROVOX PART No.	CENTRALAB PART No.	CORNELL-DUBILIER PART No.	MALLORY PART No.	SPRAGUE PART No.	
C8	100	1000	C-50070-6		TCL-100				NI500 10%
C9	5000		C-50089-1	DI-5000	DD502	L10D5	B-250	5GA-D5	
C10	5000		C-50089-1	DI-5000	DD502	L10D5	B-250	5GA-D5	Note 1
C11	100	1000	C-50070-6		TCL-100				NI500 10%
C12	820	1000	C-50072-7				JL-382	10GAB-T825 10%*	10%
C13	390	1000	C-50072-8			L10T39		10GAB-T395 10%*	10%
C14	1800	1000	C-50072-9				JL-218	10GAB-D185 10%*	10%
C15	580	1000	C-50072-14				JL-356	10GAB-T565 10%*	10%
C16	.022	125	C-50074-18					2WF-S22	10%
C17	5000		C-50089-1	DI-5000	DD-502	L10D5	B-250	5GA-D5	
C18	.01	125	C-50074-14					2WF-S10	10%
C19	5000		C-50089-1	DI-5000	DD-502	L10D5	B-250	5GA-D5	
C20	5000		C-50089-1	DI-5000	DD-502	L10D5	B-250	5GA-D5	
C21	.01	125	C-50074-14					2WF-S10	10%
C22	.01	125	C-50074-14					2WF-S10	10%
C23	.47	250	C-50074-29			P488N-47		GEM-4047	
C24	.047	125	C-50074-19					2WF-S47	10%
C25	.022	125	C-50074-18					2WF-S22	10%
C26	.1	250	C-50074-28					5BF-P10	10%
C27	1200	1000	C-50072-4	HVD-15-1200	DD-122	L10D12	B-212	10GAB-D12	
C28	.027	125	C-50074-16					2WF-S27	10%
C29	15		CC20CJ150K5	NPO-DI 15	TCZ-15	CTA8Q18C		5TCC-Q15	NPO 10%
C30	270	1000	C-50072-16	HVD-15-270	DD-271	L10T27	B-327	10GAB-T27	
C31	.47	250	C-50074-29	P488N-47		CUB4P47		GEM-4047	
C32	100	1000	C-50070-6		TCL-100				NI500 10%
C33	5000		C-50089-1	DI-5000	DD-502	L10D5	B-250	5GA-D5	Note 1
C34	5000		C-50089-1	DI-5000	DD-502	L10D5	B-250	5GA-D5	

## CAPACITORS (cont)

ITEM No.	RATING		REPLACEMENT DATA						NOTES		
	CAP.	VOLT.	FISHER PART No.	AEROVOX PART No.	CENTRALAB PART No.	CORNELL-DUBILIER PART No.	MALLORY PART No.	SPRAGUE PART No.			
C35	390	1000	C-50072-6						L10T39	10GAB-T395 10%*	10%
C36	1800	1000	C-50072-8						JL-218	10GAB-D185 10%*	10%
C37	580	1000	C-50072-14						JL-356	10GAB-T565 10%*	10%
C38	.022	125	C-50074-18							2WF-S22	10%
C39	5000		C-50089-1	DI-5000	DD-502	L10D5	B-250	5GA-D5			
C40	.01	125	C-50074-14							2WF-S10	10%
C41	5000		C-50089-1	DI-5000	DD-502	L10D5	B-250	5GA-D5			
C42	5000		C-50089-1	DI-5000	DD-502	L10D5	B-250	5GA-D5			
C43	.01	125	C-50074-14							2WF-S10	10%
C44	.01	125	C-50074-14							2WF-S10	10%
C45	.47	125	C-50074-29	P288N-47					CUB4P47	GEM-4047	
C46	.022	125	C-50074-18							2WF-S22	10%
C47	.047	125	C-50074-19							2WF-S47	10%
C48	.1	250	C-50074-28							5BF-P10	10%
C49	.027	125	C-50074-16							2WF-S27	10%
C50	8		CC20CJ080D5								NPO ± .5mmf
C51	.47	250	C-50074-29	P488N-47					CUB4P47	GEM-4047	4TM-P47

\* Not normally in distributors stock. Available thru distributor on order to manufacturer.  
Note 1. Not used in some versions.

## CONTROLS

ITEM No.	RATING		REPLACEMENT DATA					INSTALLATION NOTES
	RESISTANCE	WATTS	FISHER PART No.	CENTRALAB PART No.	CLAROSTAT PART No.	IRC PART No.	MALLORY PART No.	
RIA	100K	1/2	R657-137					Volume, Tap @ 30K & 50K Ch. A
B	100K	1/2						Volume, Tap @ 30K & 50K Ch. B
C	Switch							
R2A	500K	1/2	R657-133					Treble, Tap @ 250K Chan. A
B	500K	1/2		BB-108	AD47-1meg-8	QJ3-137		Treble, Tap @ 250K Chan. B
R3A	1meg	1/2	R657-136	Not Req.	Not Req.	M11-137		Bass, Chan. A
B	1meg	1/2		Not Req.	Not Req.	Not Req.		Bass, Chan. B
C	Shaft				FB-3			
R4A	25K	1/2	R657-135			Q11-120		Balance, Chan. A
B	25K	1/2				M11-120		Balance, Chan. B
R5	250K	1/2	R657-134	JP-254	48M-250K-6			Level Set Aux. Chan. A
R6	250K	1/2	R657-134	JP-254	48M-250K-6			Level Set Aux. Chan. B
R7	250K	1/2	R657-134	JP-254	48M-250K-6			Level Set, Chan. A
R8	250K	1/2	R657-134	JP-254	48M-250K-6			Level Set, Chan. B

## RESISTORS

All wattages 1/2 watt, or less, unless otherwise listed.

ITEM No.	RATING		FISHER PART No.	NOTES	ITEM No.	RATING		FISHER PART No.	NOTES
	OHMS	WATT				OHMS	WATT		
R9	10K		RC20BF103K		R26	220K		RC20BF224K	
R10	100K		RC20BF104K		R27	2700Ω		RC20BF272K	
R11	330K	1	RC30BF334K		R28	27K		RC20BF273K	
R12	100K		RC20BF104K		R29	56K	1	RC30BF563K	
R13	3.3meg		RC20BF335K		R30	10K		RC20BF103K	
R14	2700Ω	1	RC30BF272K		R31	4700Ω		RC20BF472K	
R15	1.2meg		RC20BF125K		R32	8200Ω		RC20BF822K	
R16	270K		RC20BF274K		R33	18K		RC20BF183K	
R17	2.2meg		RC20BF225K		R34	100K		RC20BF104K	
R18	120K		RC20BF124K		R35	10K		RC20BF103K	
R19	390K		RC20BF394K		R36	1500Ω		RC20BF152K	
R20	10meg		RC20BF106K		R37	470K		RC20BF474K	
R21	220K		RC20BF224K		R38	470K		RC20BF474K	
R22	2.2meg		RC20BF225K		R39	330K		RC20BF334K	
R23	2.2meg		RC20BF225K		R40	8200Ω		RC20BF822K	
R24	1meg		RC20BF105K		R41	47K	1	RC30BF473K	
R25	2.2meg		RC20BF225K		R42	330Ω		RC20BF331K	

MODEL 400C  
FISHER

## PARTS LIST AND DESCRIPTIONS (Continued)

### RESISTORS (cont)

ITEM No.	RATING		FISHER PART No.	NOTES	ITEM No.	RATING		FISHER PART No.	NOTES
	OHMS	WATT				OHMS	WATT		
R43	10K		RC20BF103K		R61	27K		RC20BF273K	
R44	100K		RC20BF104K		R62	56K	1	RC30BF563K	
R45	330K	1	RC30BF334K		R63	10K		RC20BF103K	
R46	100K		RC20BF104K		R64	4700Ω		RC20BF472K	
R47	3.3meg		RC20BF335K		R65	18K		RC20BF183K	
R48	1700Ω	1	RC30BF272K		R66	8200Ω		RC20BF822K	
R49	270K		RC20BF274K		R67	100K		RC20BF104K	
R50	2.2meg		RC20BF225K		R68	10K		RC20BF103K	
R51	120K		RC20BF124K		R69	1500Ω		RC20BF152K	
R52	390K		RC20BF394K		R70	470K		RC20BF474K	
R53	10meg		RC20BF106K		R71	330K		RC20BF334K	
R54	220K		RC20BF224K		R72	8200Ω		RC20BF822K	
R55	2.2meg		RC20BF225K		R73	47K	1	RC30BF473K	
R56	2.2meg		RC20BF225K		R74	330Ω		RC20BF331K	
R57	1meg		RC20BF105K		R75	1200Ω	1	RC30BF122K	
R58	2.2meg		RC20BF225K		R76	1200Ω	1	RC30BF122K	
R59	220K		RC20BF224K		R77	10Ω	2	RC40BF100K	
R60	2700Ω		RC20BF272K		R78	470K		RC20BF474K	Note 1

Note 1. Not used in some versions.

### TRANSFORMER (POWER)

ITEM No.	RATING			REPLACEMENT DATA						
	PRI.	SEC. 1	SEC. 2	FISHER PART No.	Holldorson PART No.	Merit PART No.	Ram PART No.	Stancor PART No.	Thordarson PART No.	Triad PART No.
	T1	117V Ⓢ .30A	580VCT Ⓢ .020A	30V Ⓢ .43A	PC-8F7-115					
	SEC. 3	SEC. 4	SEC. 5							
	6.3V Ⓢ .6A Tap Ⓢ 5.8V Ⓢ .5A									

### COMPONENT COMBINATIONS

ITEM No.	USE	DESCRIPTION	FISHER PART No.	REPLACEMENT DATA
K1	Tone Comp. (Channel A)		PC-657-140	
K2	Tone Comp. (Channel B)		PC-657-140	

### SELENIUM RECTIFIER

ITEM No.	RATING	REPLACEMENT DATA				NOTES
	CURRENT (Measured)	FISHER PART No.	FEDERAL PART No.	INTERNATIONAL PART No.	SARKES TARZIAN PART No.	
M1	.430A	SR-50093	1017	CLB	604B	

### FUSES

ITEM No.	TYPE	RATING	REPLACEMENT DATA					
			FISHER PART No.		LITTELFUSE PART No.		BUSS PART No.	
			FUSE	HOLDER	FUSE	HOLDER	FUSE	HOLDER
M2	3AG	1/4A 250V	F-3297	X-1036	312,500 (3AG 1/4A 250V)	342001	AGC 1/2	HKP

### MISCELLANEOUS

ITEM No.	PART NAME	FISHER PART No.	NOTES
M3	Lamp	1-588-120	6.3V, 0.1A
M4	Lamp	1-588-120	6.3V, 0.1A
M5	Lamp	1-588-120	6.3V, 0.1A
M6	Lamp	1-588-120	6.3V, 0.1A
M7	Lamp	1-588-120	6.3V, 0.1A
M8	Switch	S-657-131	Equalization, 6 Position, Rotary, Wafer Type
M9	Switch	S-657-132	Rumble Filter, 3 Position, Rotary, Wafer, Lever Type
M10	Switch	S-657-138	Loudness Contour, 3 Position, Rotary, Wafer, Lever Type
M11	Switch	S-657-130	Output Selector, 6 Position, Rotary, Wafer Type
M12	Switch Assembly	S-657-129	Input Channel Selector, 4 Push Type

### CABINETS & CABINET PARTS

(When Ordering Cabinets & Cabinet Parts, Specify Model, Chassis & Color)

NAME	PART NO.	DESCRIPTION
Knob	E-50049-12	With Gold Triangle, 6 used
Knob	E-546-108	Pushbutton, 4 used
Knob	E-546-135	Lever, 2 used
Dress Panel	AS-657-117	
Leg	H-657-145	Plastic, 4 used

### WIRING DATA

General-use Unshielded Hook-up Wire .....	Use BELDEN No. 8530 (Solid) Available in Ten Colors
Power Cord .....	8524 (Stranded) Available in Ten Colors
	Use BELDEN No. 1765-B (6 Ft. Length)
	1725-K (7½ Ft. Length)