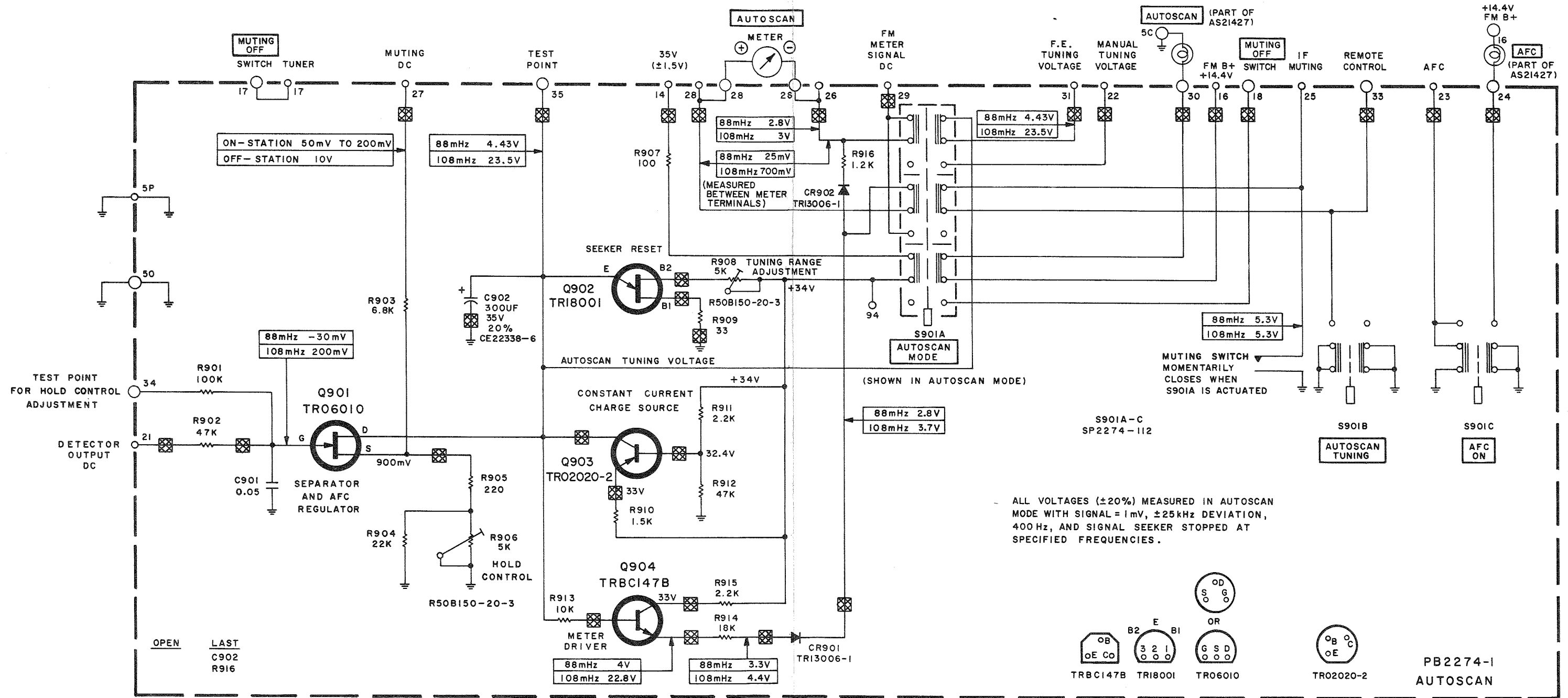
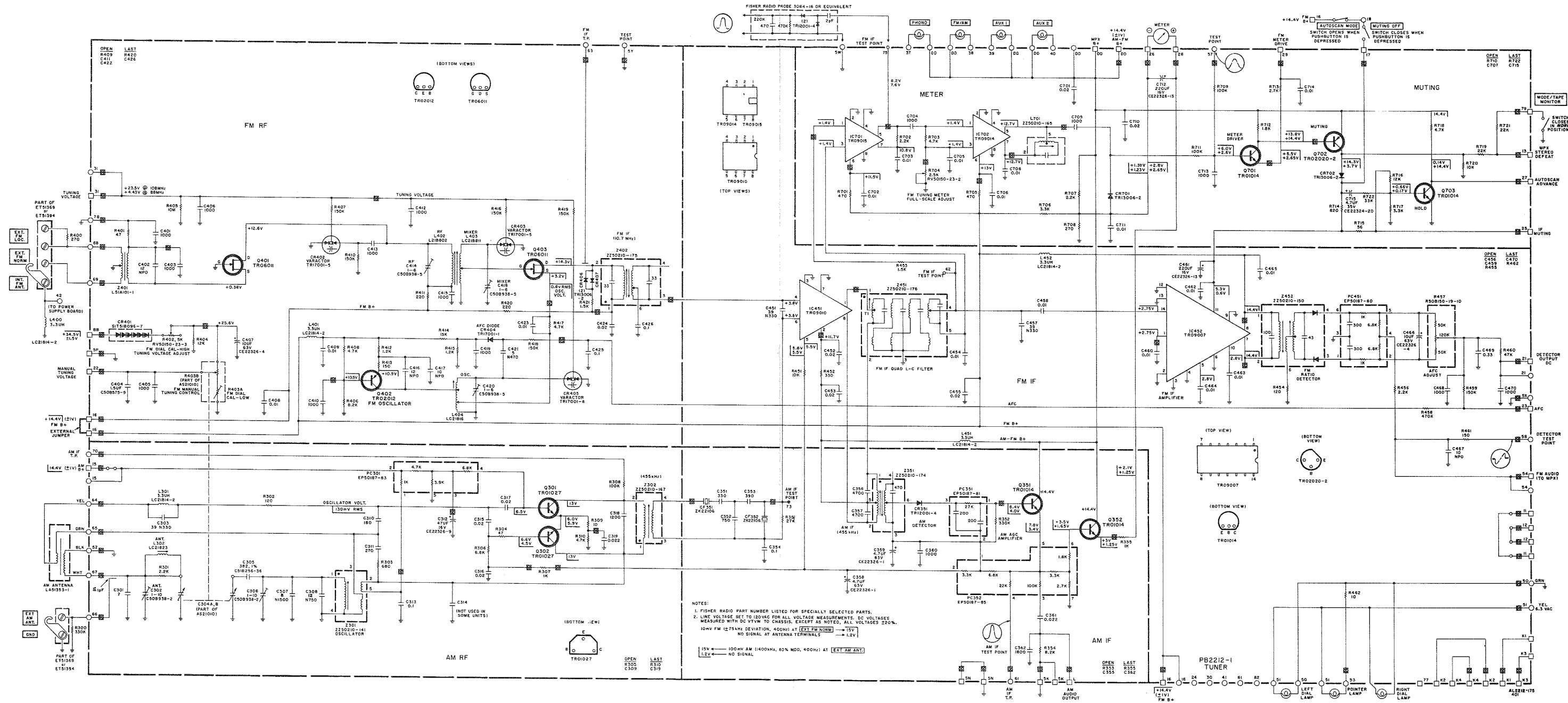


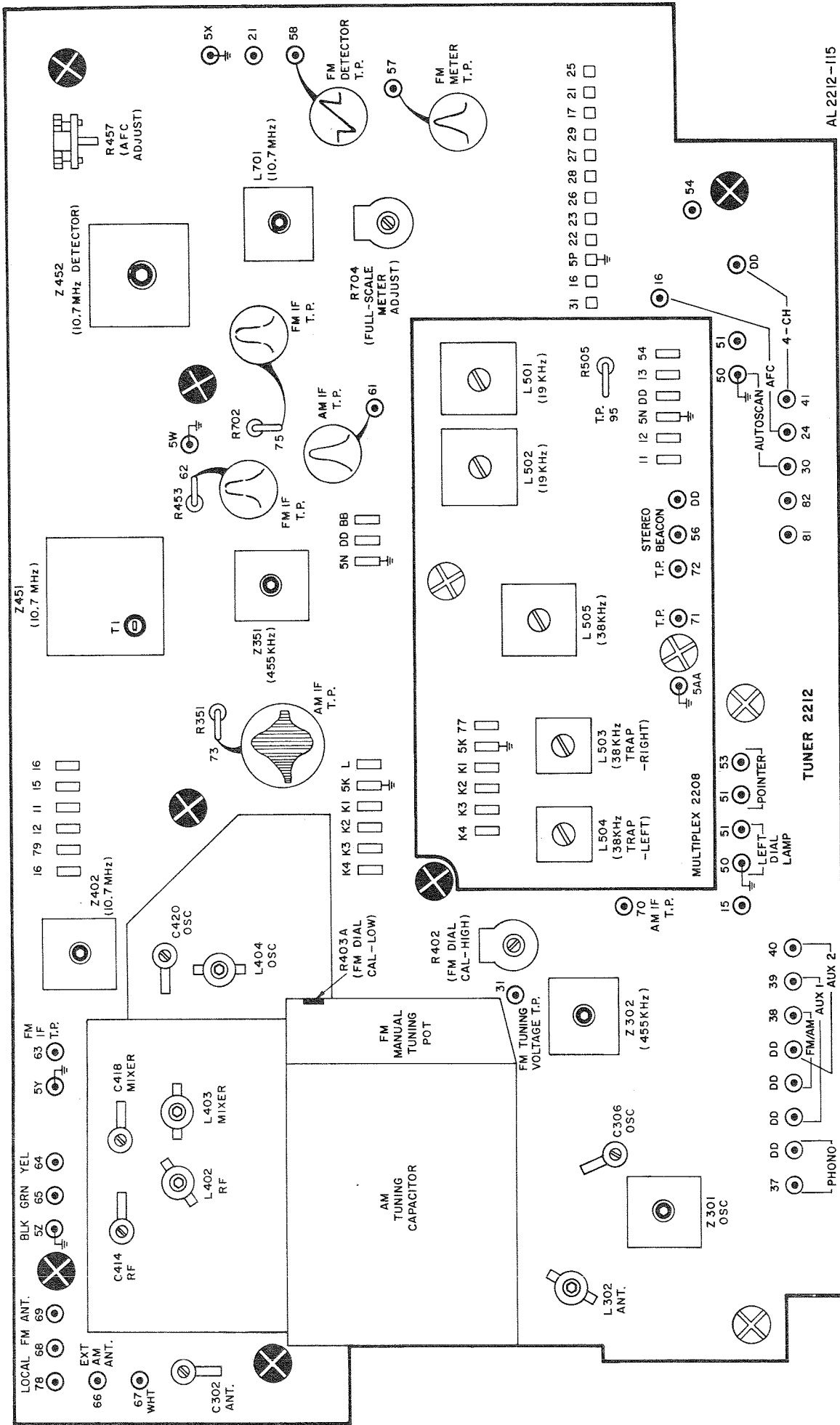
The enclosed schematics cover THE FISHER 301 and 401 Receivers, and will provide servicing information until complete manuals are available.

Drawing applicability (301, 401, or both) is indicated in the lower right corner of each schematic.

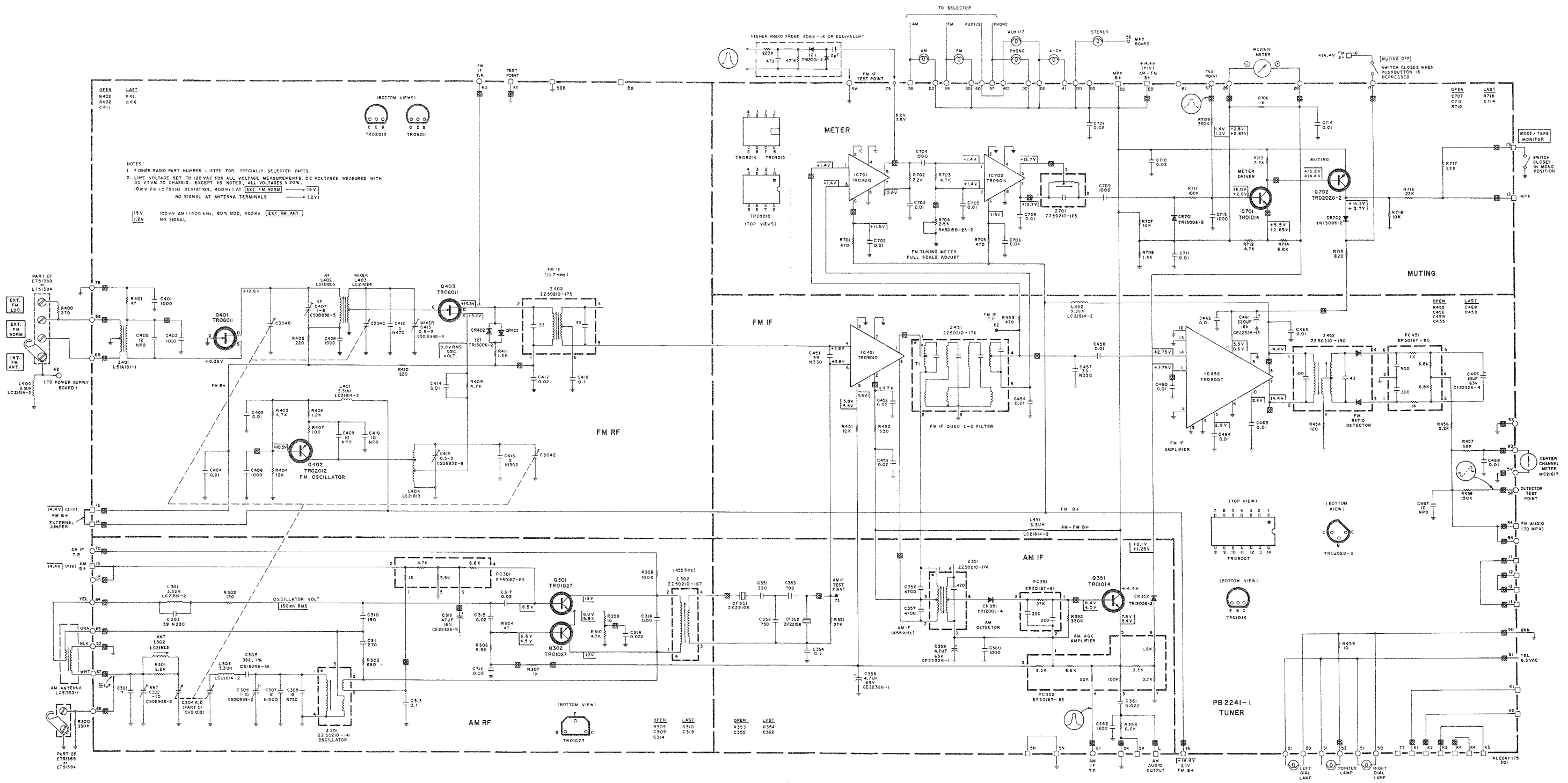




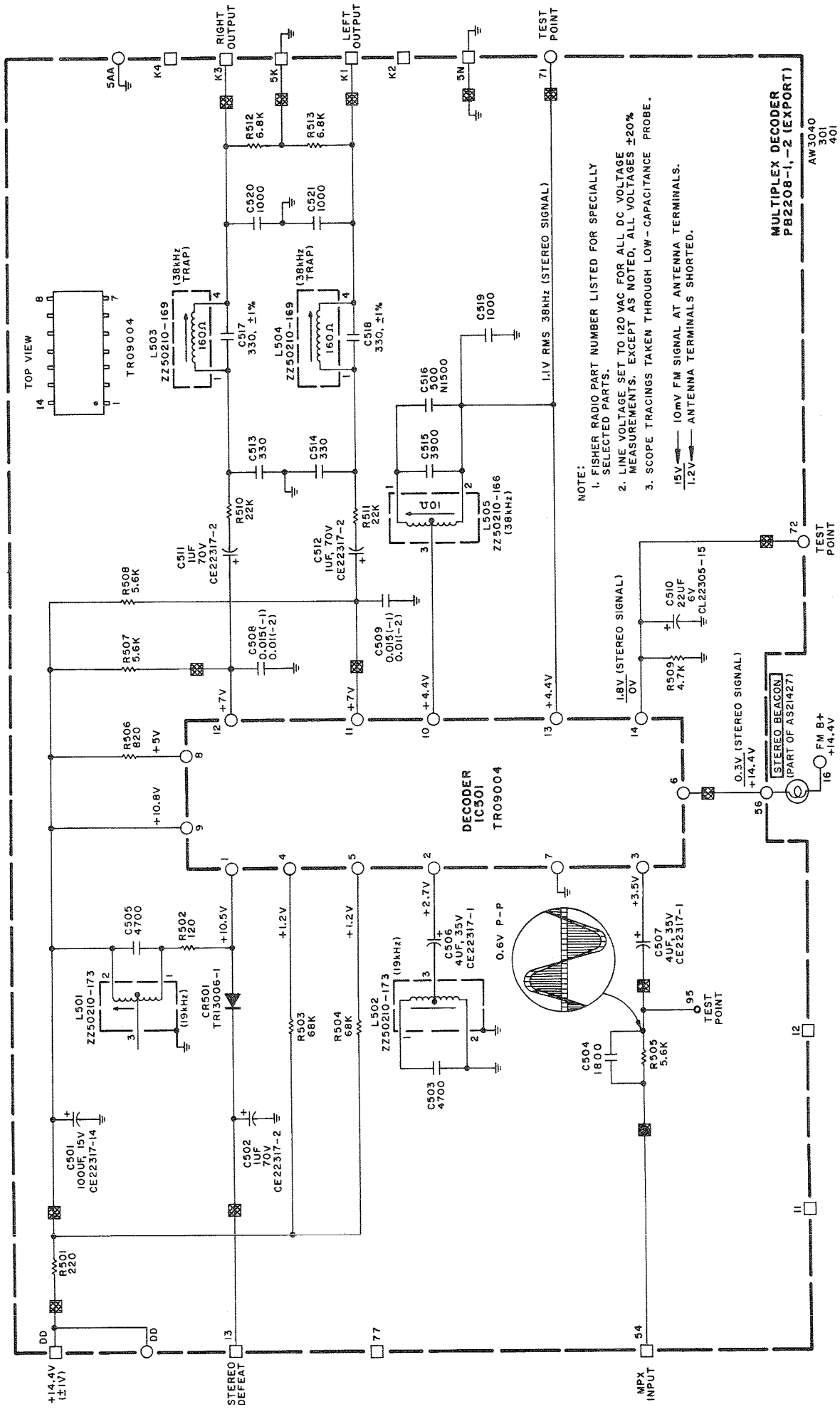




NOTE : CHASSIS GROUNDS ARE COMPLETED THROUGH MOUNTING SCREWS (X). TIGHTEN BEFORE ATTEMPTING ALIGNMENT OR TEST.



NOTES:
 1. FISHER RADIO PART NUMBER LISTED FOR SPECIALLY SELECTED PARTS.
 2. LINE VOLTAGE SET TO 20 VAC FOR ALL VOLTAGE MEASUREMENTS. DC VOLTAGES MEASURED WITH DC 10K TO CHASSIS, EXCEPT AS NOTED. ALL VOLTAGES ± 20%.
 10 mV FM (± 75 kHz DEVIATION, 400 Hz) AT EXT. FM NORM. → 15V
 NO SIGNAL AT ANTENNA TERMINALS → 1.2V
 15V 100 mV AM (1400 kHz, 80% MOD, 400 Hz) EXT. AM ANT.
 1.2V NO SIGNAL

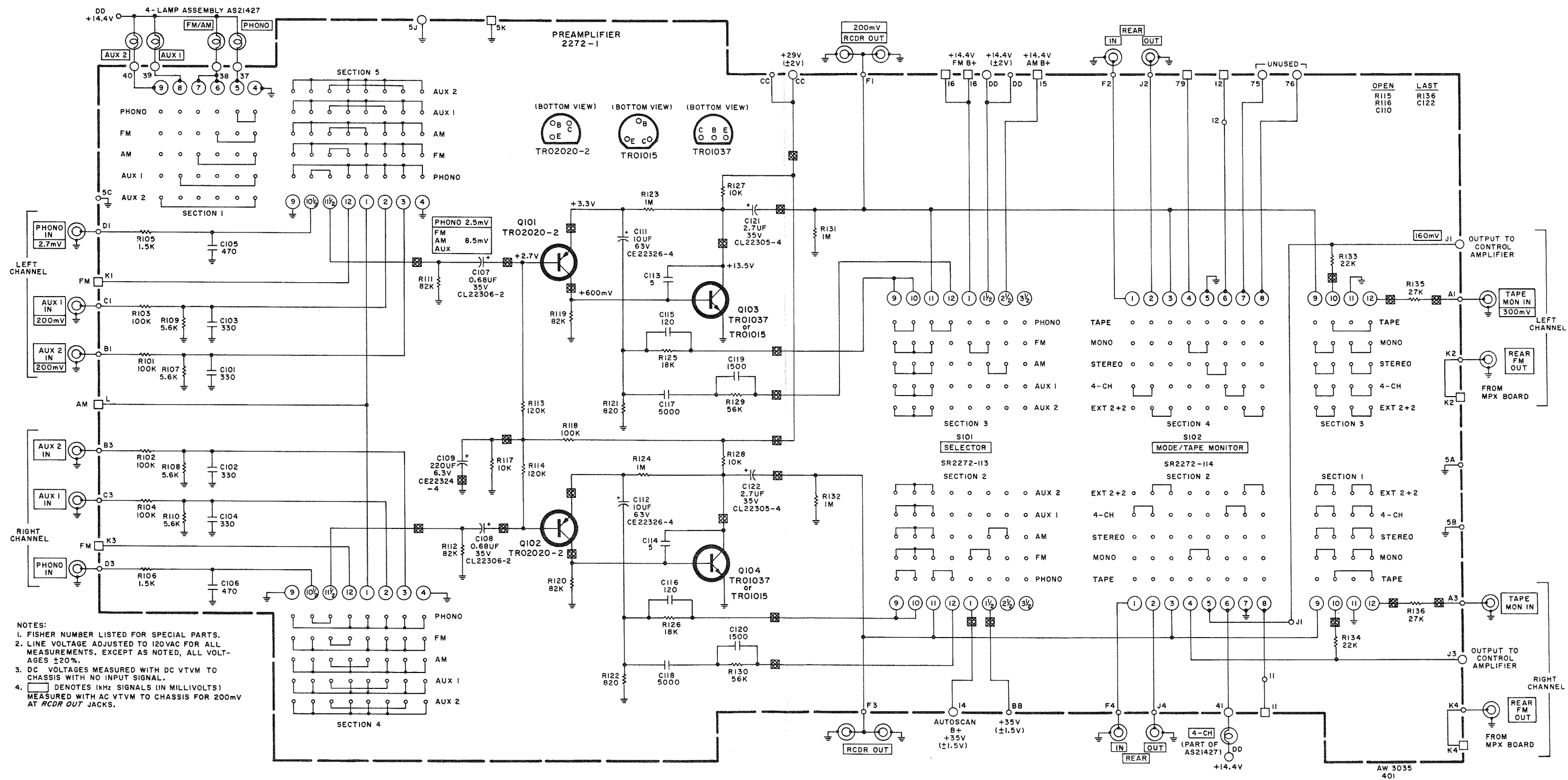


NOTE:

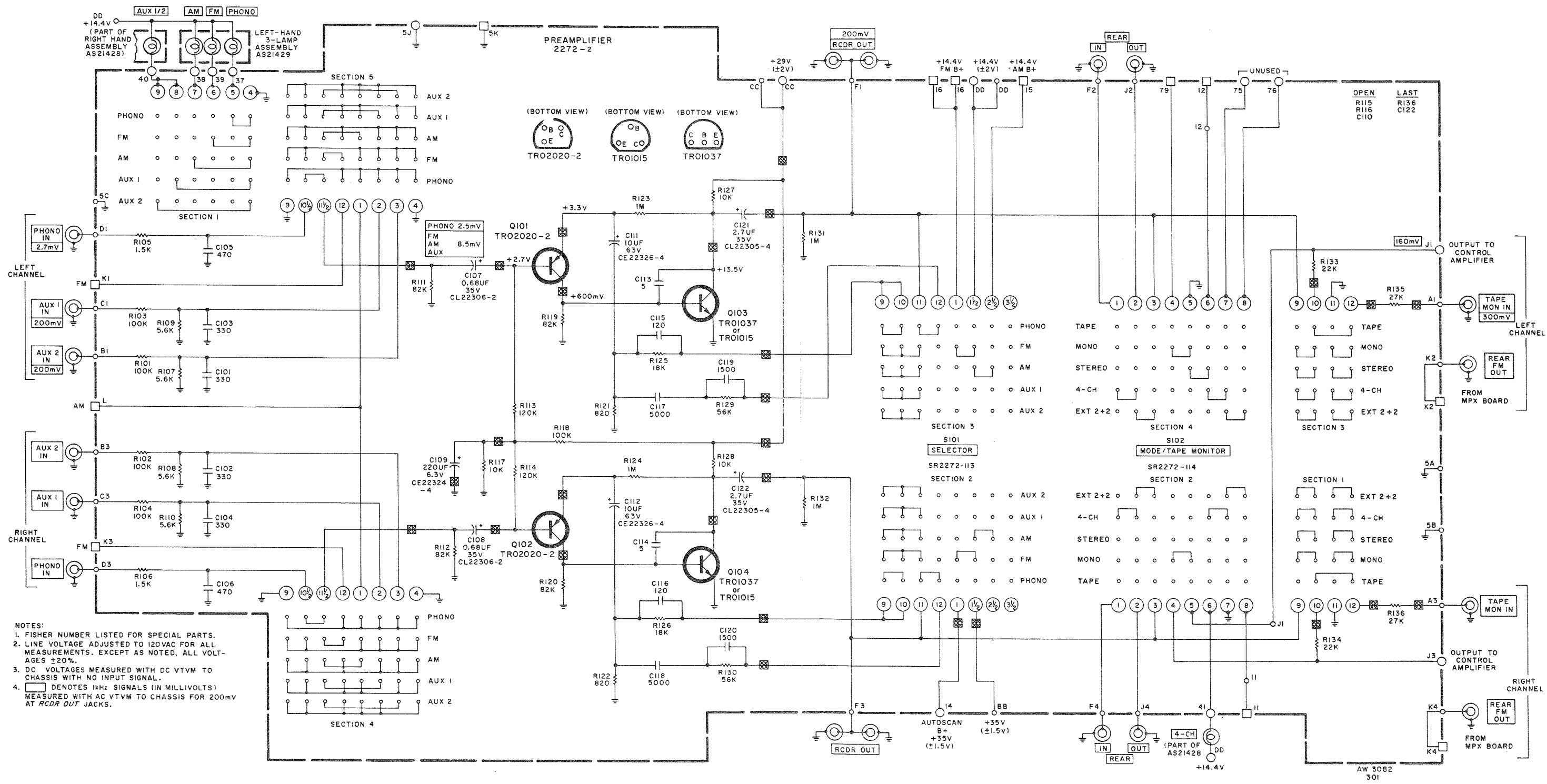
1. FISHER RADIO PART NUMBER LISTED FOR SPECIALLY SELECTED PARTS.
2. LINE VOLTAGE SET TO 120 VAC FOR ALL DC VOLTAGE MEASUREMENTS. EXCEPT AS NOTED, ALL VOLTAGES $\pm 20\%$.
3. SCOPE TRACINGS TAKEN THROUGH LOW-CAPACITANCE PROBE.

15V \leftarrow 10mV FM SIGNAL AT ANTENNA TERMINALS.
 1.2V \leftarrow ANTENNA TERMINALS SHORTED.

MULTIPLEX DECODER
 PB2208-1, -2 (EXPORT)
 AW3040
 301
 401

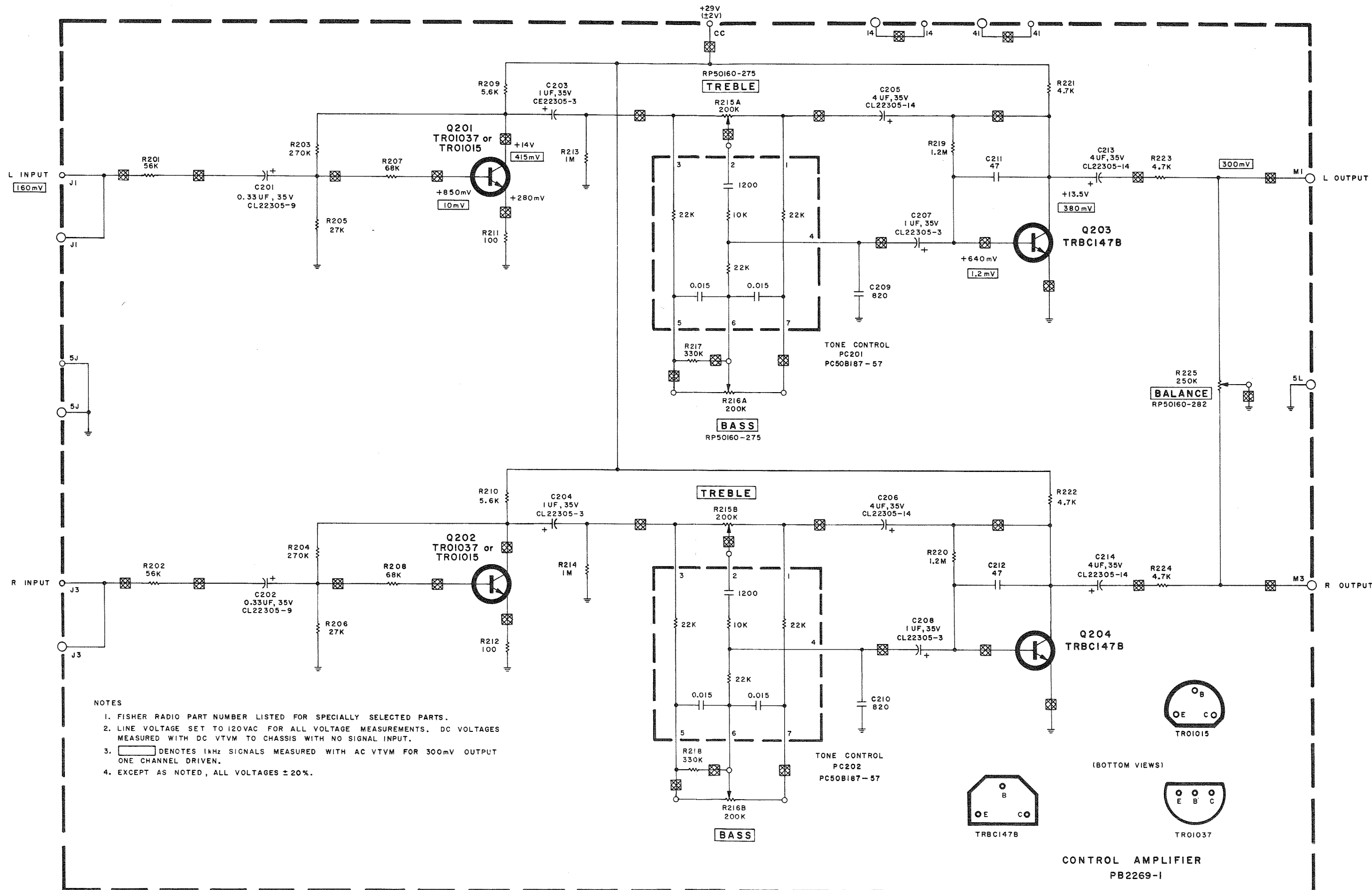


- NOTES:
1. FISHER NUMBER LISTED FOR SPECIAL PARTS.
 2. LINE VOLTAGE ADJUSTED TO 120VAC FOR ALL MEASUREMENTS. EXCEPT AS NOTED, ALL VOLTAGES $\pm 20\%$.
 3. DC VOLTAGES MEASURED WITH DC VTVM TO CHASSIS WITH NO INPUT SIGNAL.
 4. \square DENOTES 1kHz SIGNALS (IN MILLIVOLTS) MEASURED WITH AC VTVM TO CHASSIS FOR 200mV AT RCDR OUT JACKS.

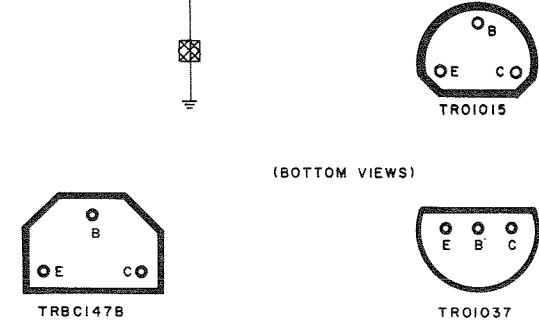


- NOTES:
1. FISHER NUMBER LISTED FOR SPECIAL PARTS.
 2. LINE VOLTAGE ADJUSTED TO 120VAC FOR ALL MEASUREMENTS. EXCEPT AS NOTED, ALL VOLTAGES $\pm 20\%$.
 3. DC VOLTAGES MEASURED WITH DC VTVM TO CHASSIS WITH NO INPUT SIGNAL.
 4. DENOTES 1kHz SIGNALS (IN MILLIVOLTS) MEASURED WITH AC VTVM TO CHASSIS FOR 200mV AT RCDR OUT JACKS.

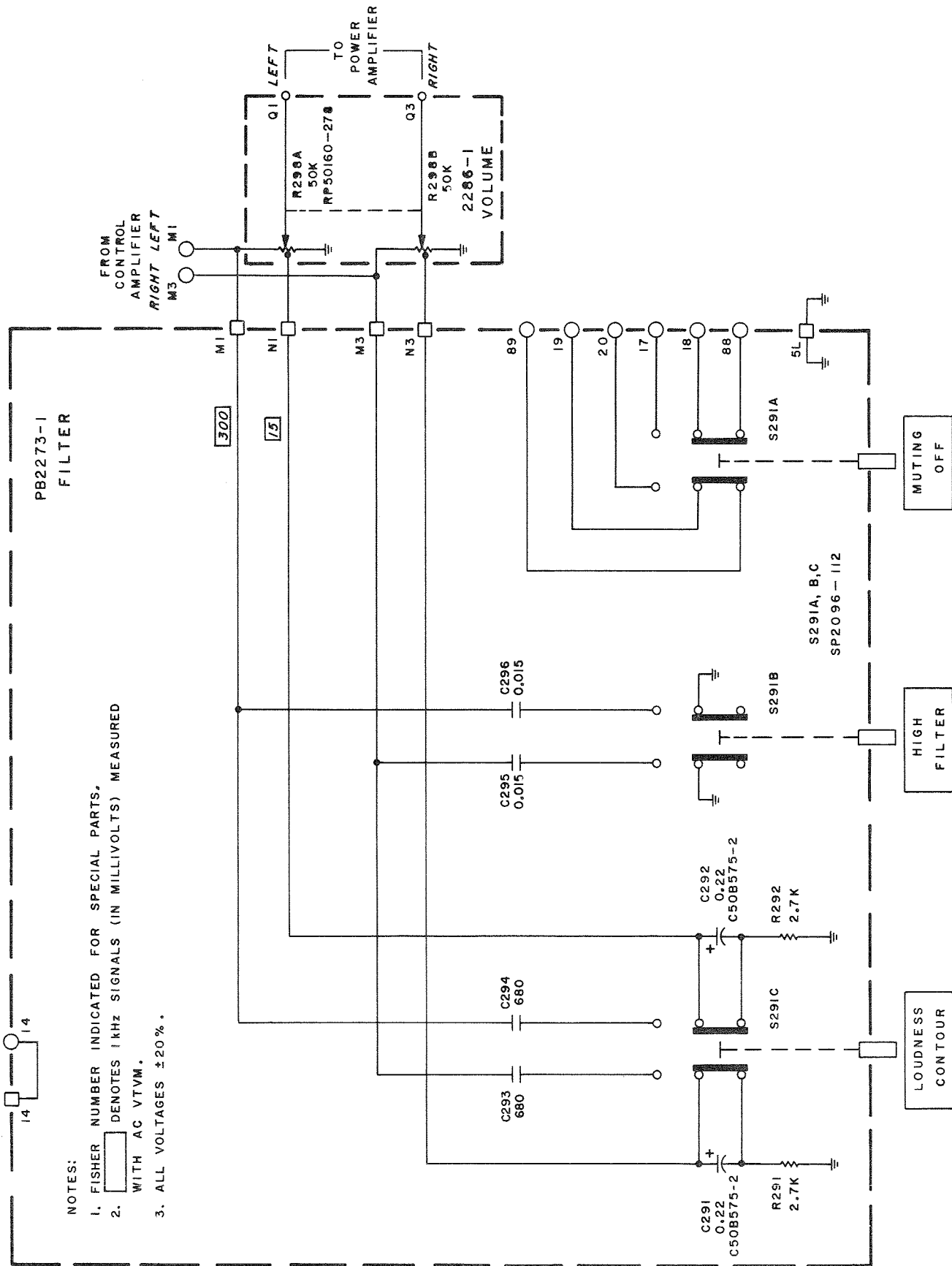
AW 3082
301



- NOTES
1. FISHER RADIO PART NUMBER LISTED FOR SPECIALLY SELECTED PARTS.
 2. LINE VOLTAGE SET TO 120VAC FOR ALL VOLTAGE MEASUREMENTS. DC VOLTAGES MEASURED WITH DC VTVM TO CHASSIS WITH NO SIGNAL INPUT.
 3. [] DENOTES 1kHz SIGNALS MEASURED WITH AC VTVM FOR 300mV OUTPUT ONE CHANNEL DRIVEN.
 4. EXCEPT AS NOTED, ALL VOLTAGES $\pm 20\%$.



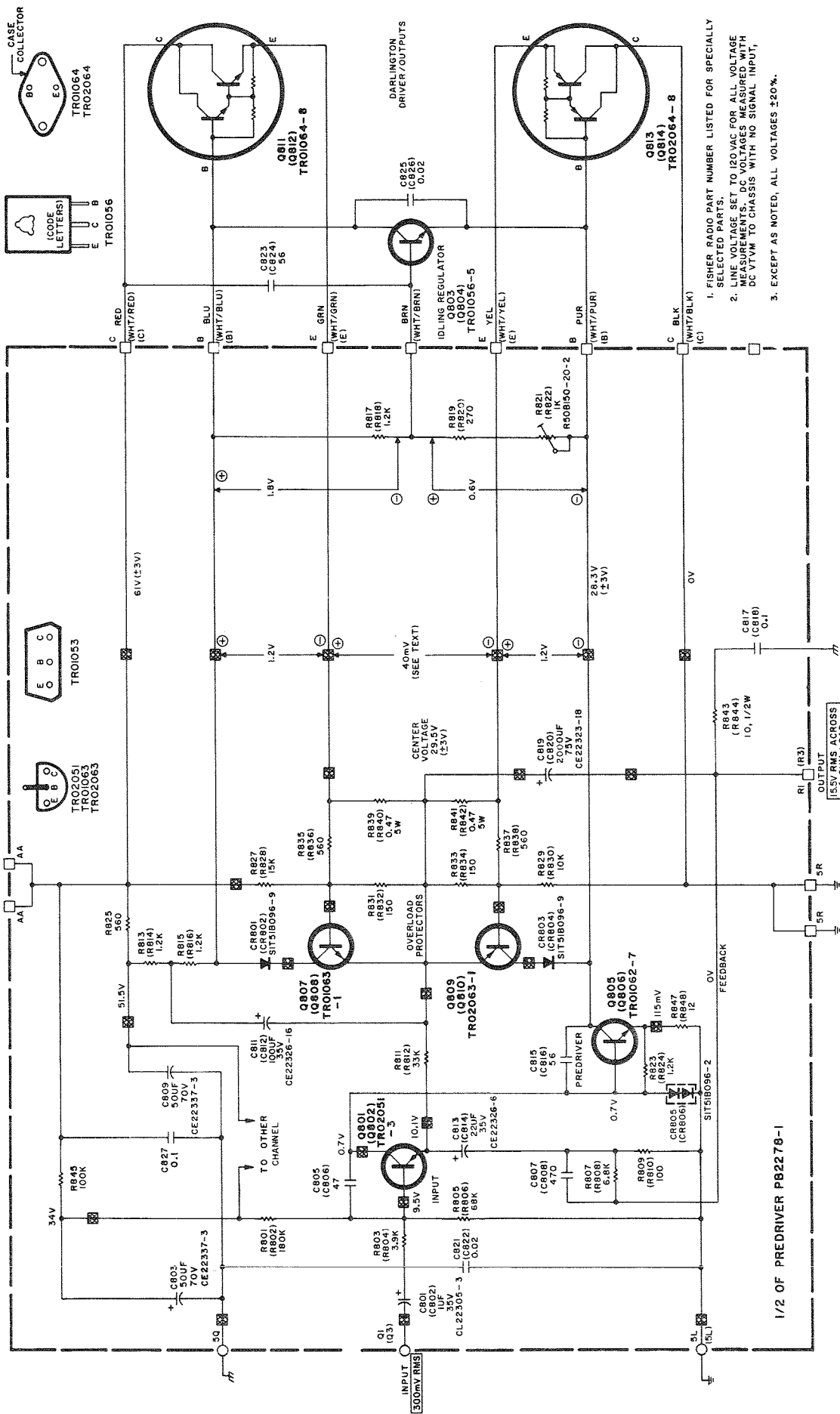
CONTROL AMPLIFIER
PB2269-1



NOTES:

1. FISHER NUMBER INDICATED FOR SPECIAL PARTS.
2. 300 DENOTES 1 kHz SIGNALS (IN MILLIVOLTS) MEASURED WITH AC VTVM.
3. ALL VOLTAGES $\pm 20\%$.

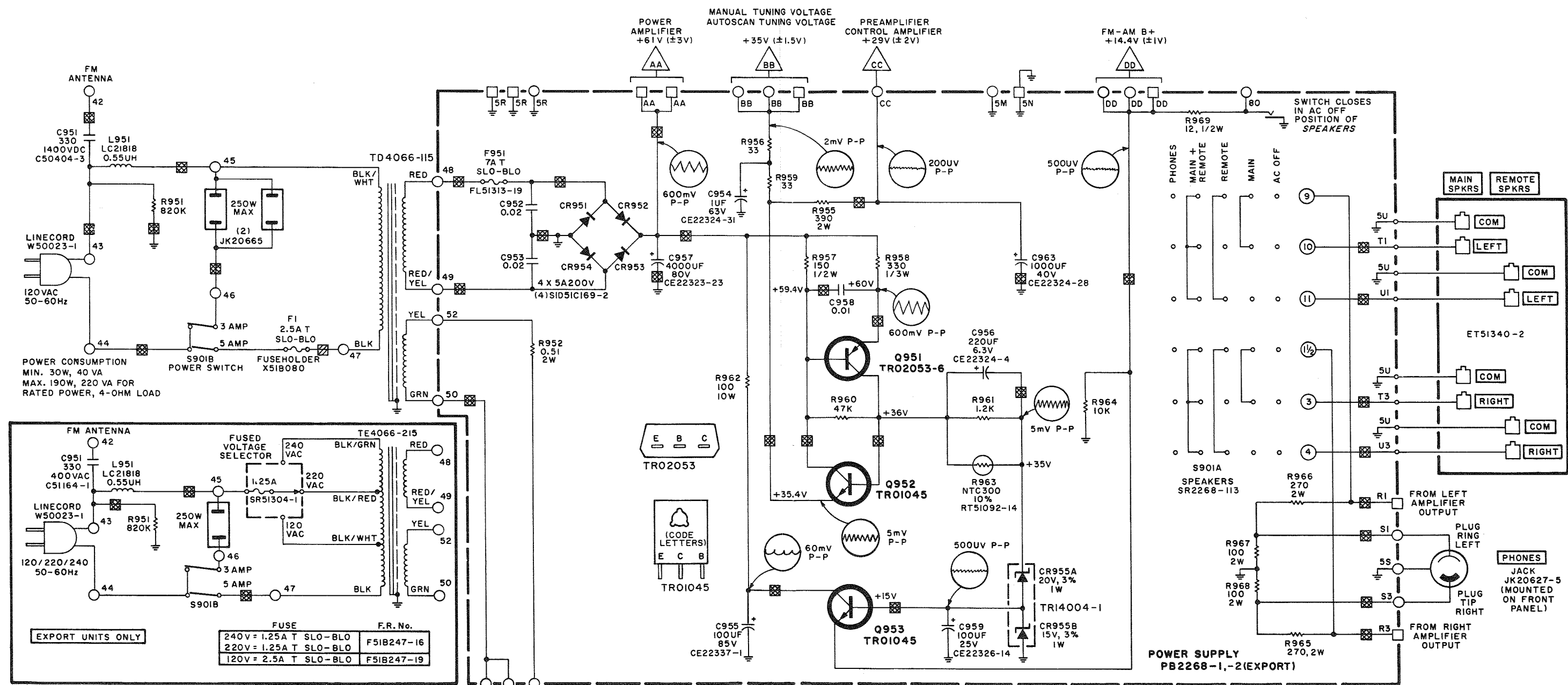
1/2 OF POWER AMPLIFIER PM2151 -1



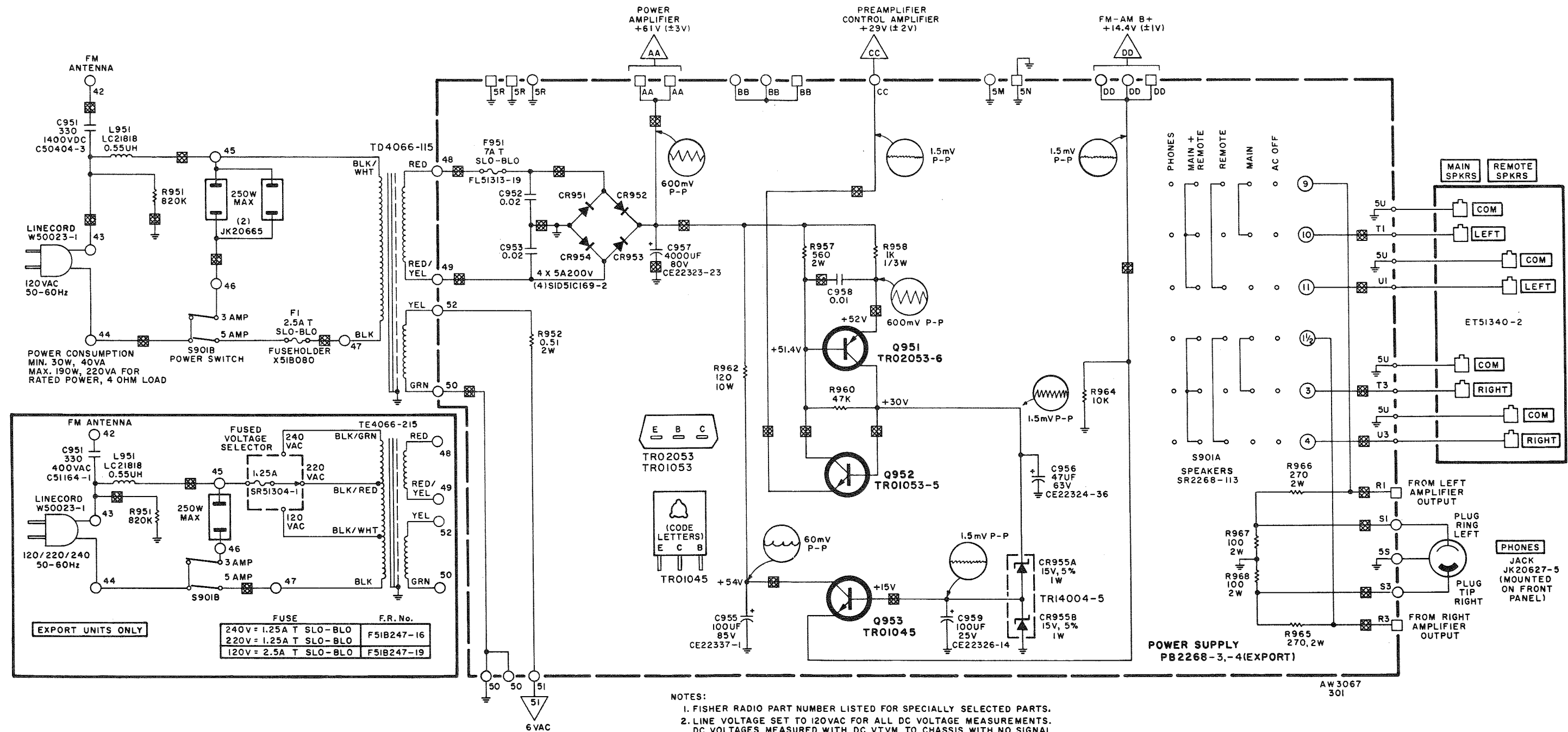
1/2 OF PREDRIVER PB2278-1

RIGHT CHANNEL DESIGNATIONS SHOWN IN PARENTHESIS

1. FISHER RADIO PART NUMBER LISTED FOR SPECIALLY SELECTED PARTS.
2. LINE VOLTAGE SET TO 120VAC FOR ALL VOLTAGE DESIGNATIONS. VOLTAGE DESIGNATIONS WITH DC VTYM TO CHASSIS WITH NO SIGNAL INPUT.
3. EXCEPT AS NOTED, ALL VOLTAGES $\pm 20\%$.

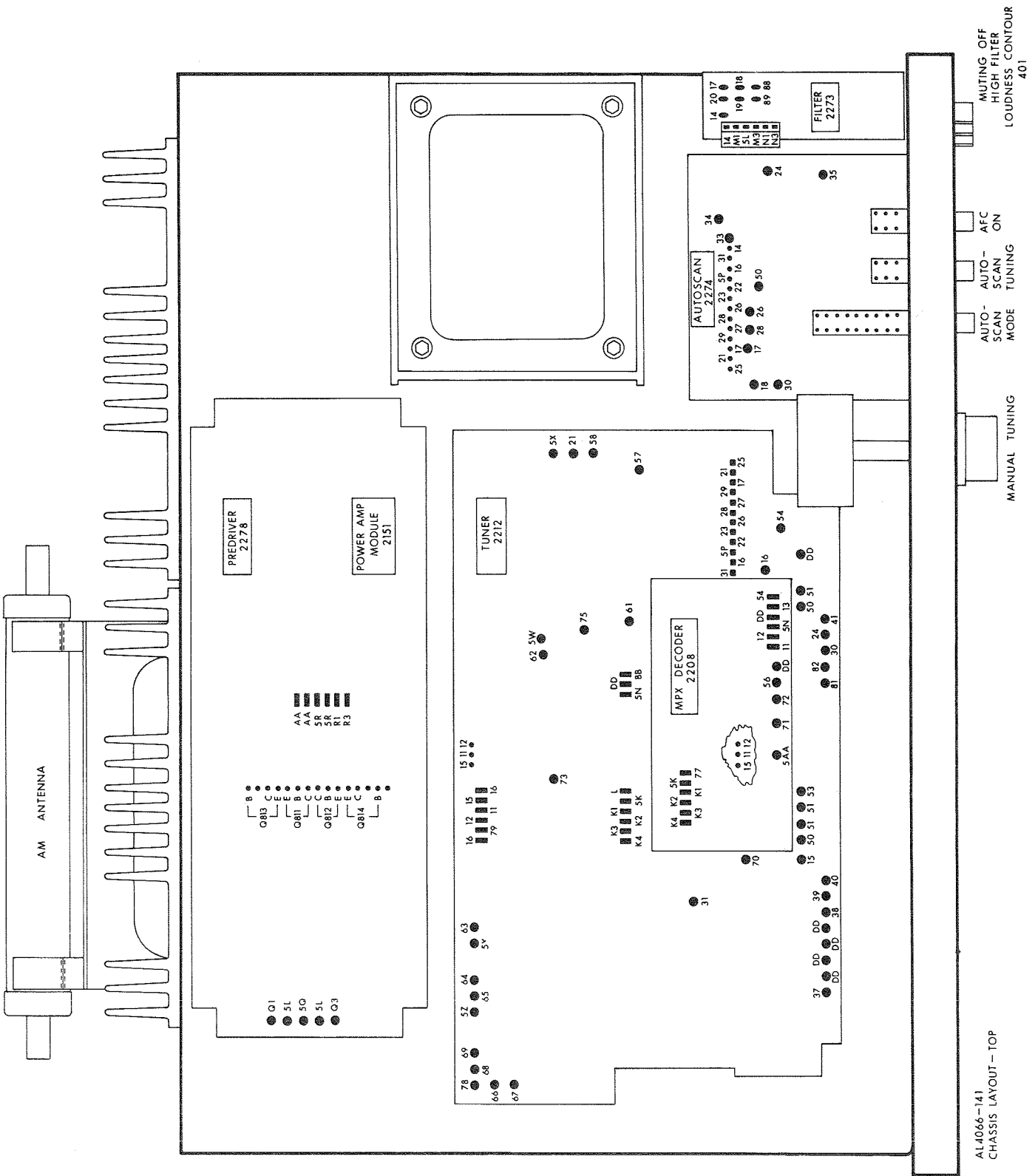


NOTES:
 1. FISHER RADIO PART NUMBER LISTED FOR SPECIALLY SELECTED PARTS.
 2. LINE VOLTAGE SET TO 120VAC FOR ALL DC VOLTAGE MEASUREMENTS. DC VOLTAGES MEASURED WITH DC VTVM TO CHASSIS WITH NO SIGNAL INPUT, SELECTOR SWITCH IN AUX POSITION. EXCEPT AS NOTED, ALL VOLTAGES ±20%.

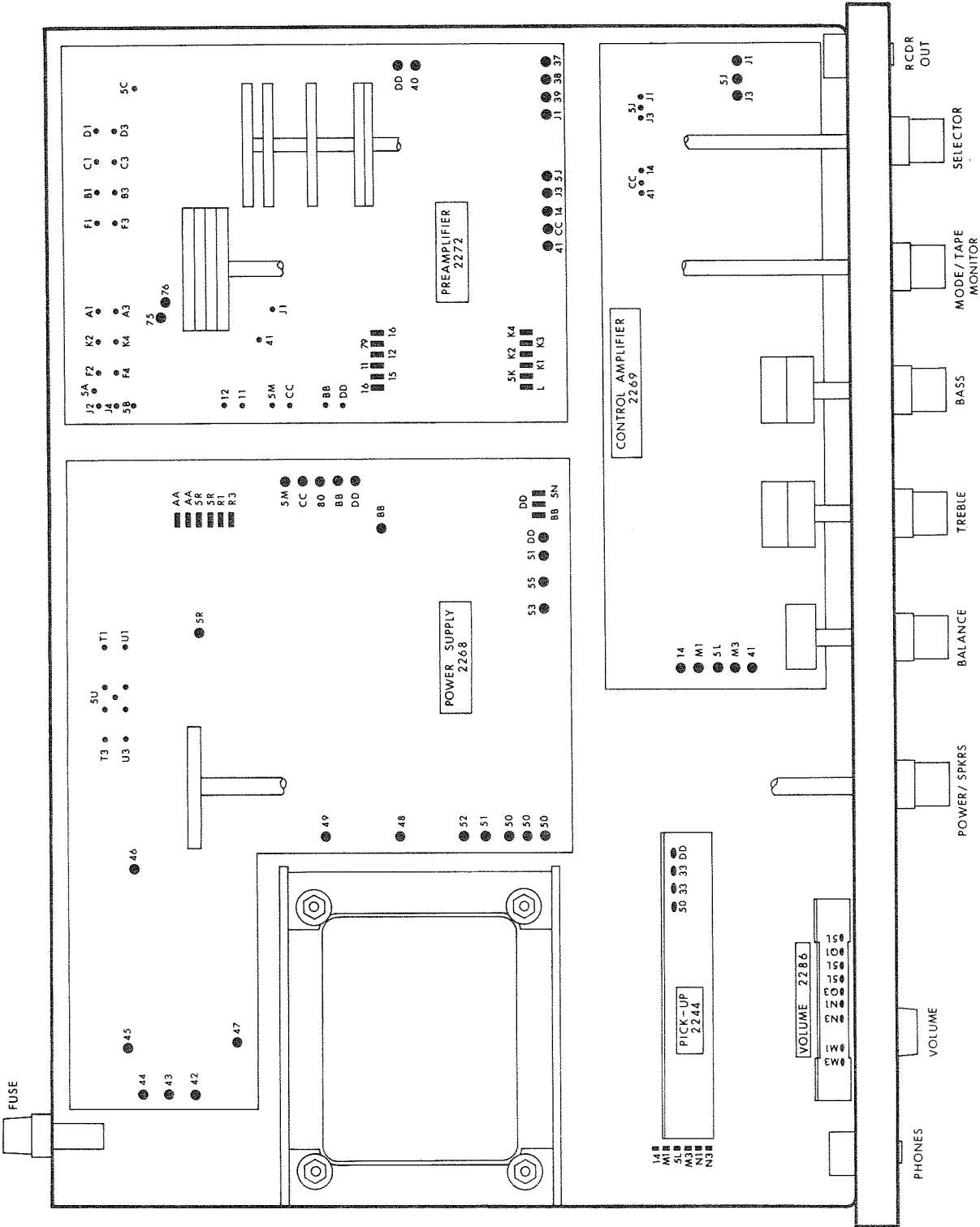


NOTES:
 1. FISHER RADIO PART NUMBER LISTED FOR SPECIALLY SELECTED PARTS.
 2. LINE VOLTAGE SET TO 120VAC FOR ALL DC VOLTAGE MEASUREMENTS. DC VOLTAGES MEASURED WITH DC VTVM TO CHASSIS WITH NO SIGNAL INPUT, SELECTOR SWITCH IN AUX POSITION. EXCEPT AS NOTED, ALL VOLTAGES $\pm 20\%$.

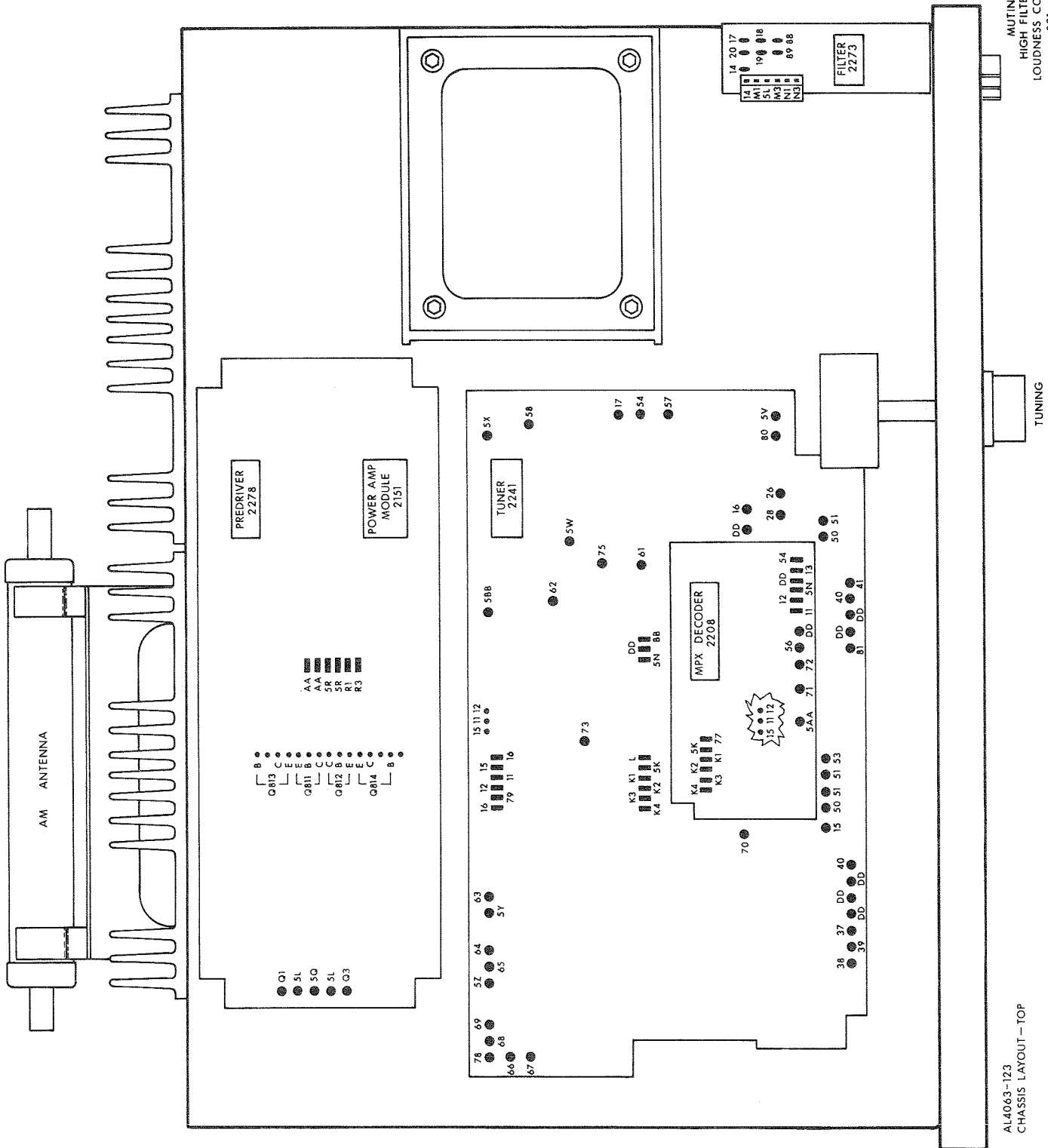
AW 3067
301



AL4066-141
CHASSIS LAYOUT - TOP



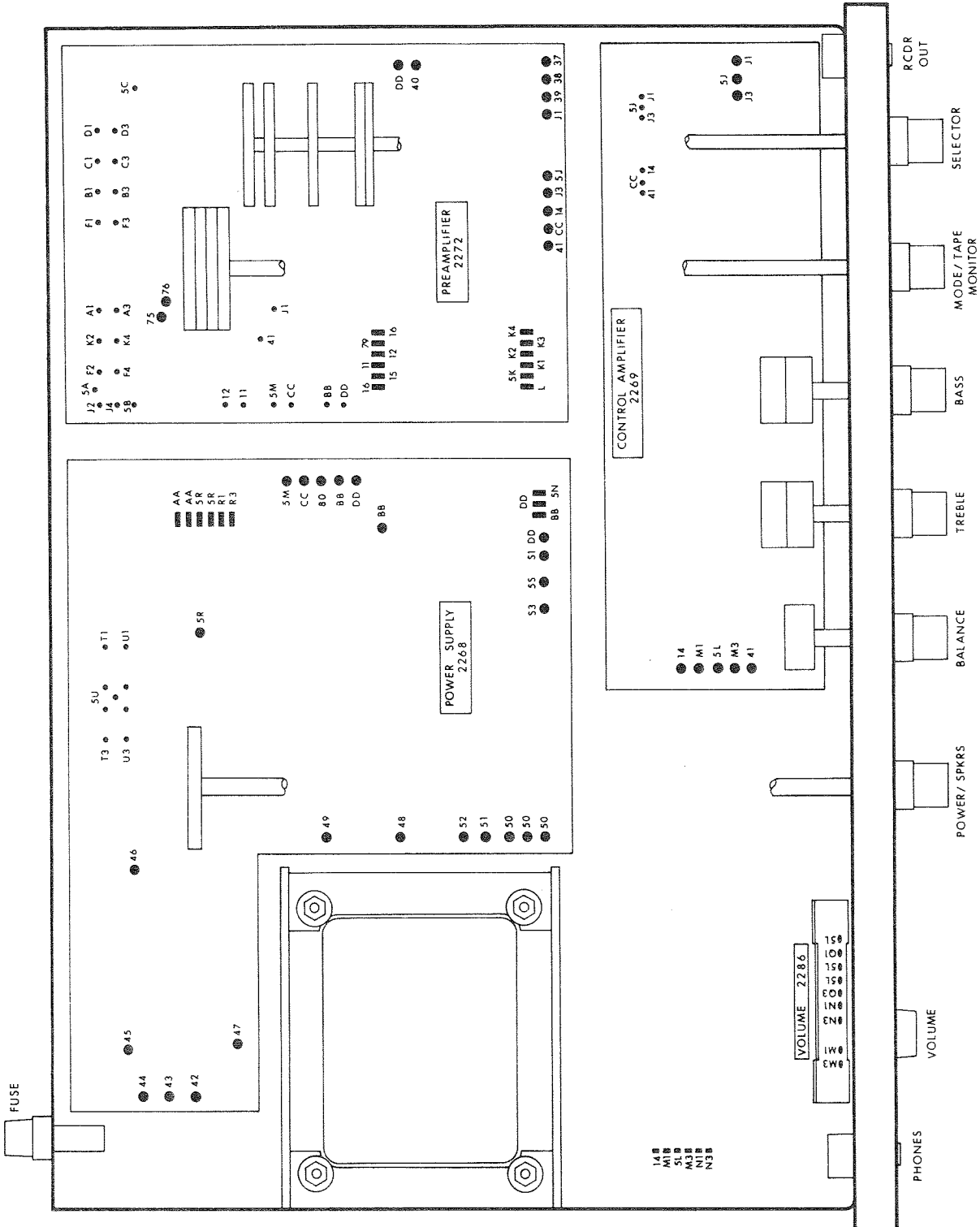
AL 4066-142
CHASSIS LAYOUT - BOTTOM



MUTING OFF
HIGH FILTER
LOUDNESS CONTOUR
301

TUNING

AL4063-123
CHASSIS LAYOUT - TOP



AL 4063 - 124
CHASSIS LAYOUT - BOTTOM