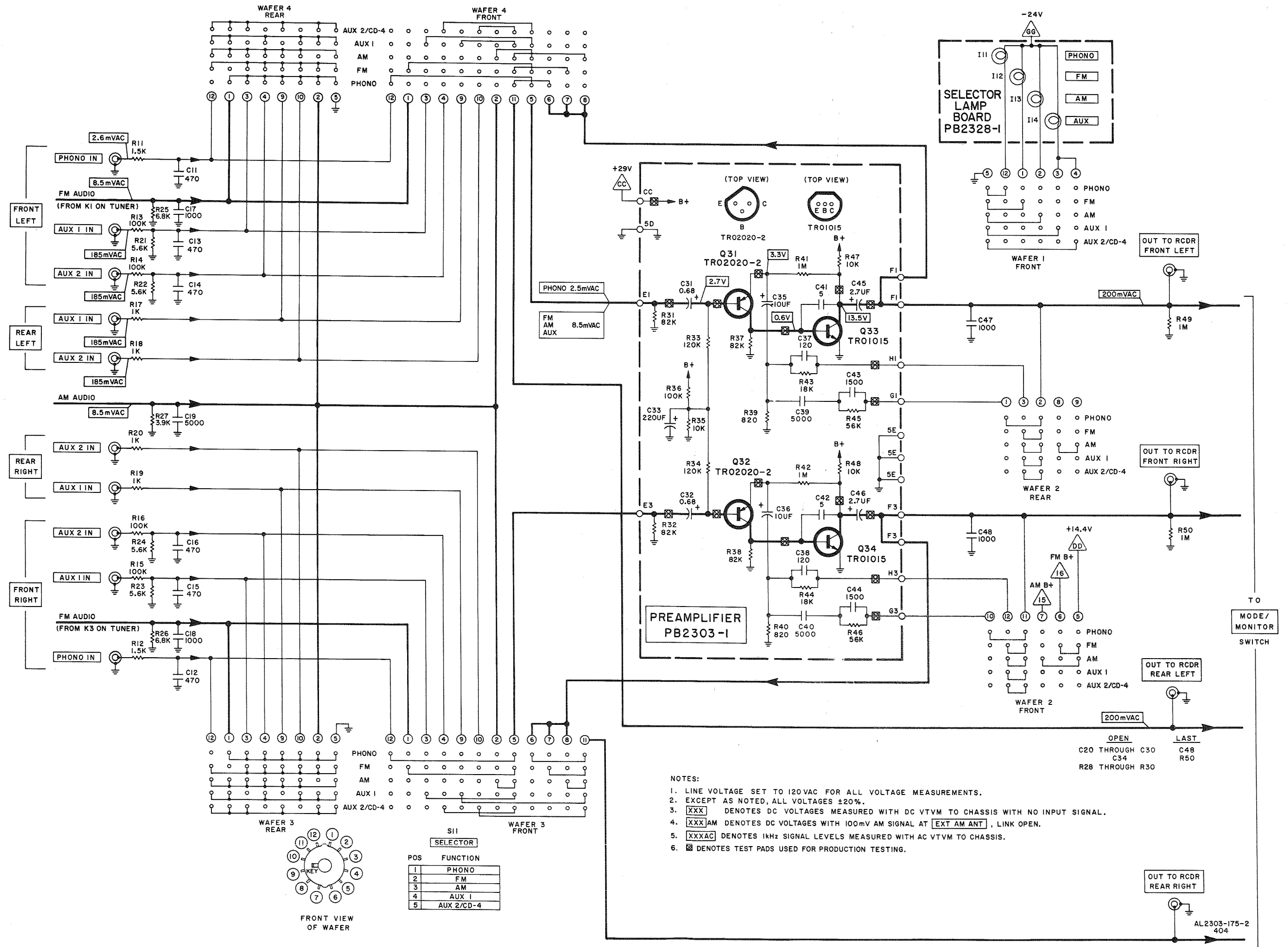
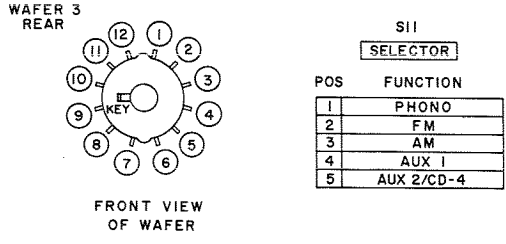


The enclosed schematics cover THE FISHER 404 Receiver, and
will provide servicing information until complete service
manuals are available.



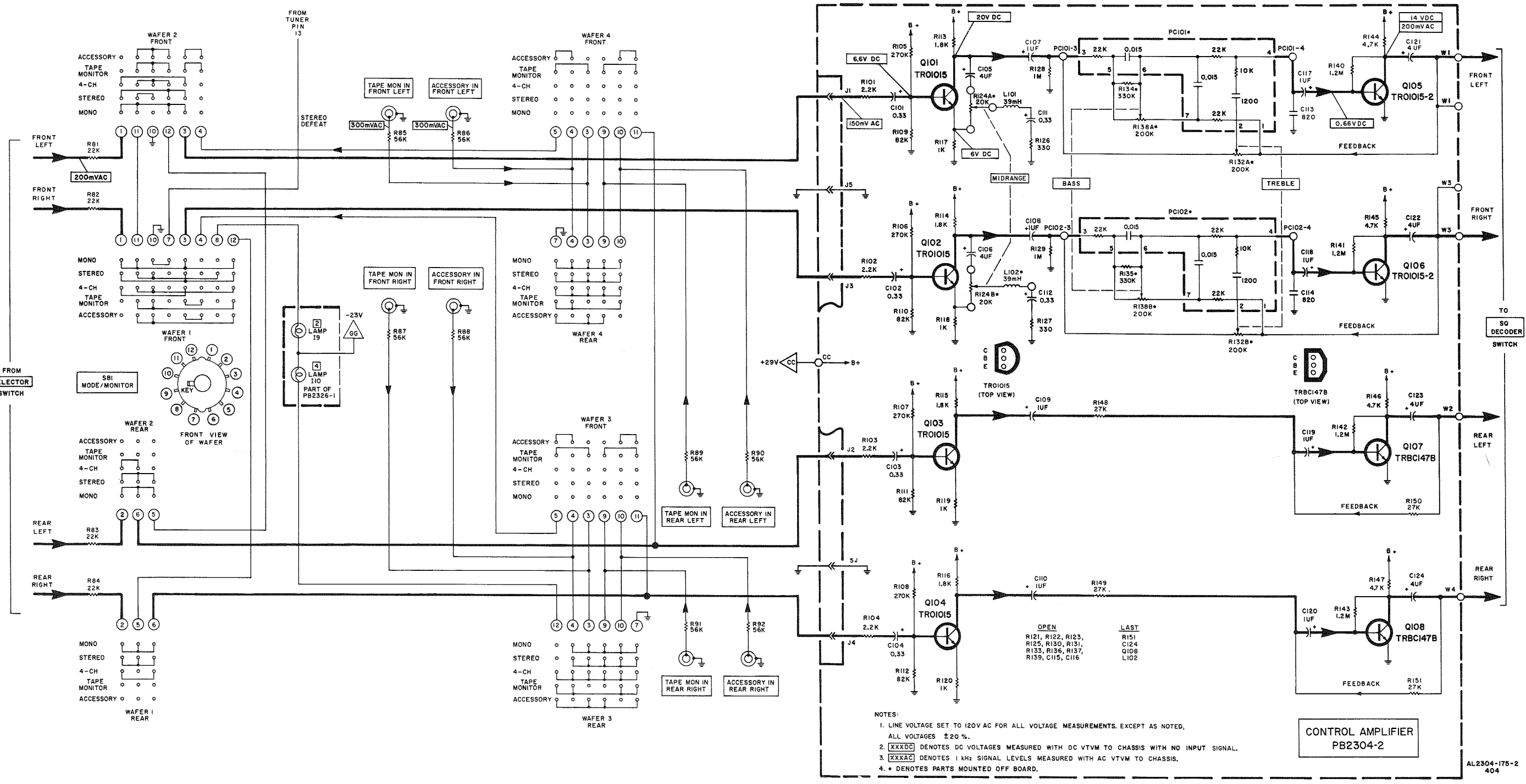


- NOTES:
1. LINE VOLTAGE SET TO 120VAC FOR ALL VOLTAGE MEASUREMENTS.
 2. EXCEPT AS NOTED, ALL VOLTAGES $\pm 20\%$.
 3. [XXX] DENOTES DC VOLTAGES MEASURED WITH DC VTVM TO CHASSIS WITH NO INPUT SIGNAL.
 4. [XXX]AM DENOTES DC VOLTAGES WITH 100mV AM SIGNAL AT [EXT AM ANT], LINK OPEN.
 5. [XXX]AC DENOTES 1kHz SIGNAL LEVELS MEASURED WITH AC VTVM TO CHASSIS.
 6. [] DENOTES TEST PADS USED FOR PRODUCTION TESTING.



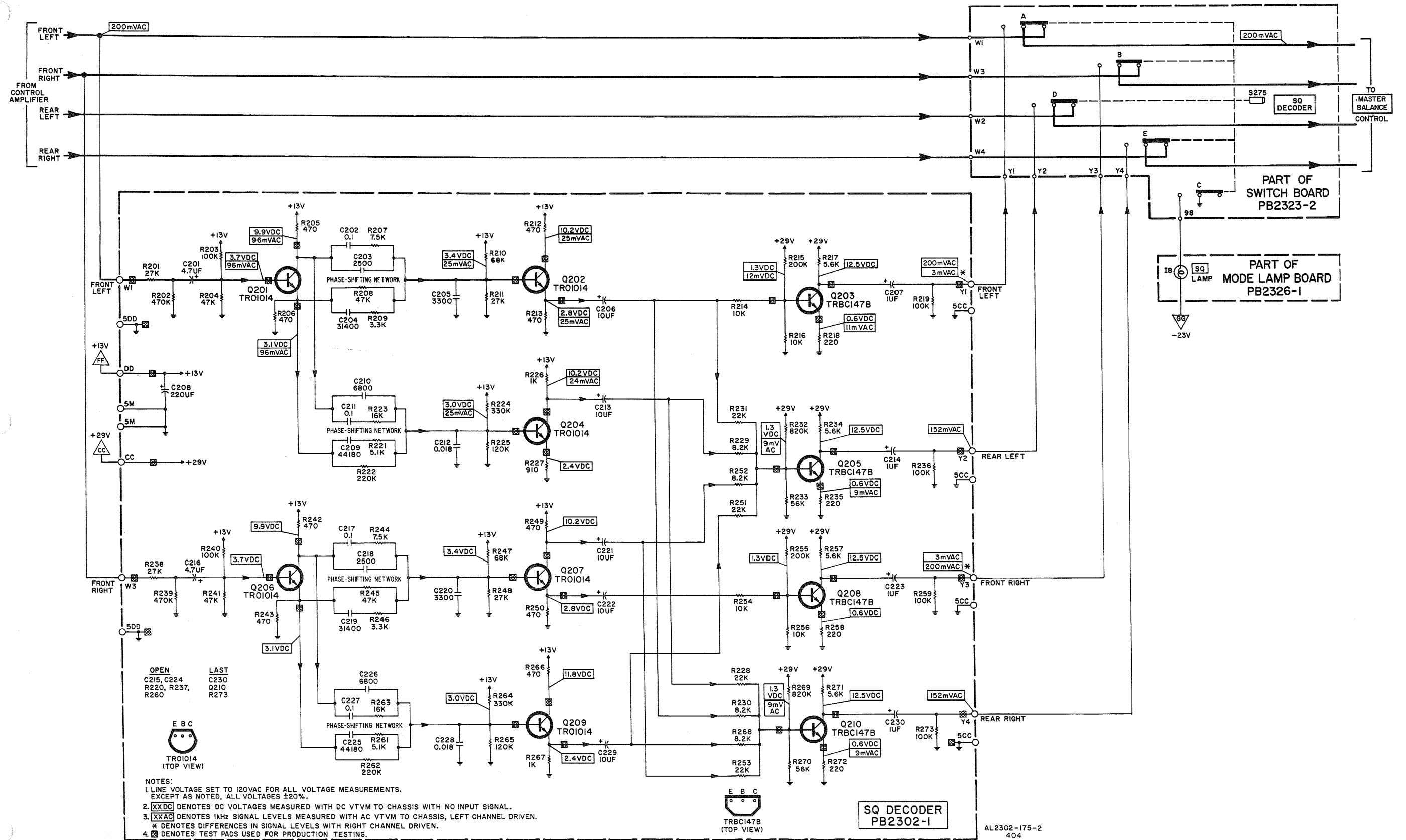
OPEN C20 THROUGH C30
C34
R28 THROUGH R30

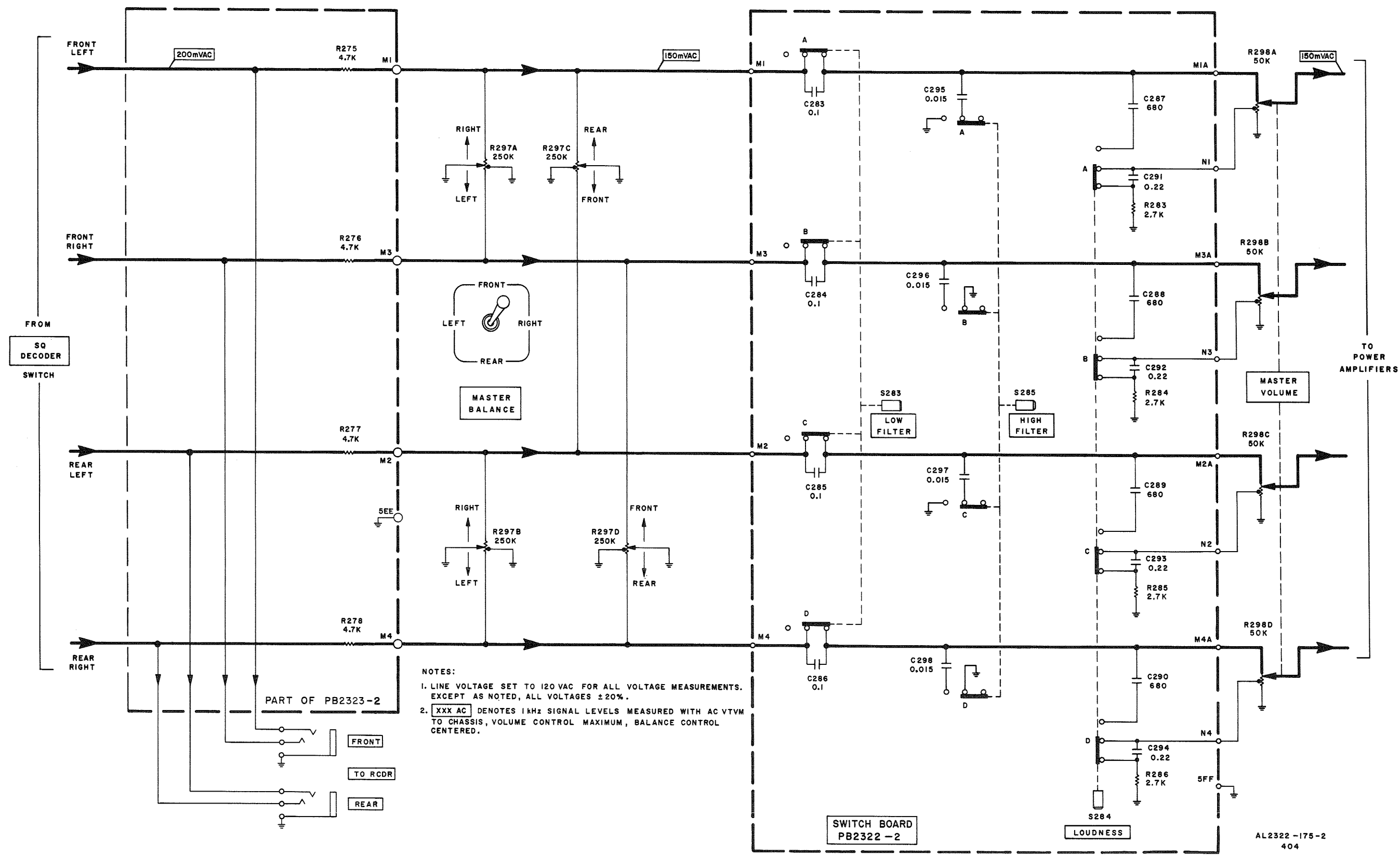
LAST C48
R50



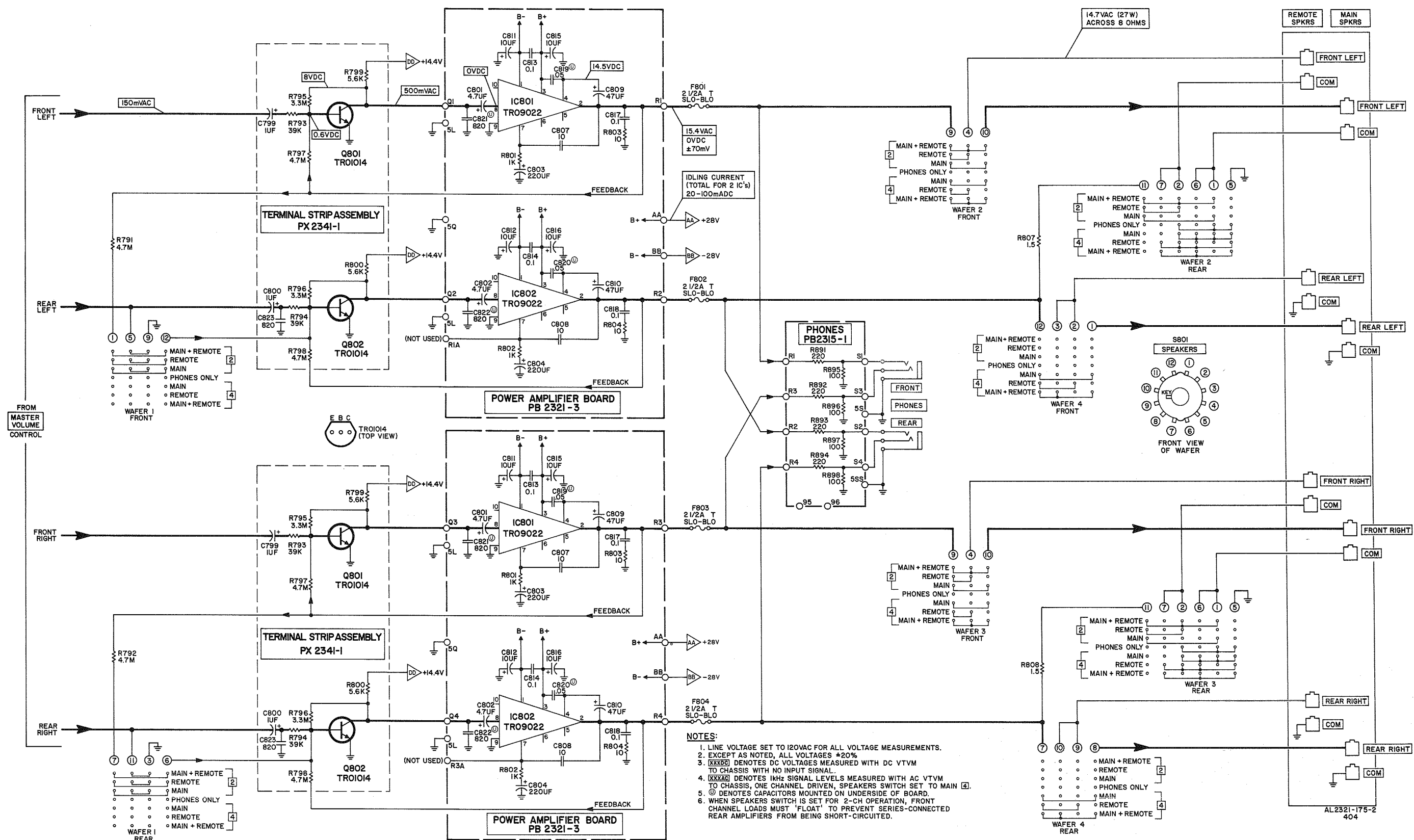
- NOTES:
1. LINE VOLTAGE SET TO 120V AC FOR ALL VOLTAGE MEASUREMENTS, EXCEPT AS NOTED, ALL VOLTAGES $\pm 20\%$.
 2. [XXXX] DENOTES DC VOLTAGES MEASURED WITH DC VTVM TO CHASSIS WITH NO INPUT SIGNAL.
 3. [XXXX] DENOTES 1 kHz SIGNAL LEVELS MEASURED WITH AC VTVM TO CHASSIS.
 4. * DENOTES PARTS MOUNTED OFF BOARD.

CONTROL AMPLIFIER
PB2304-2

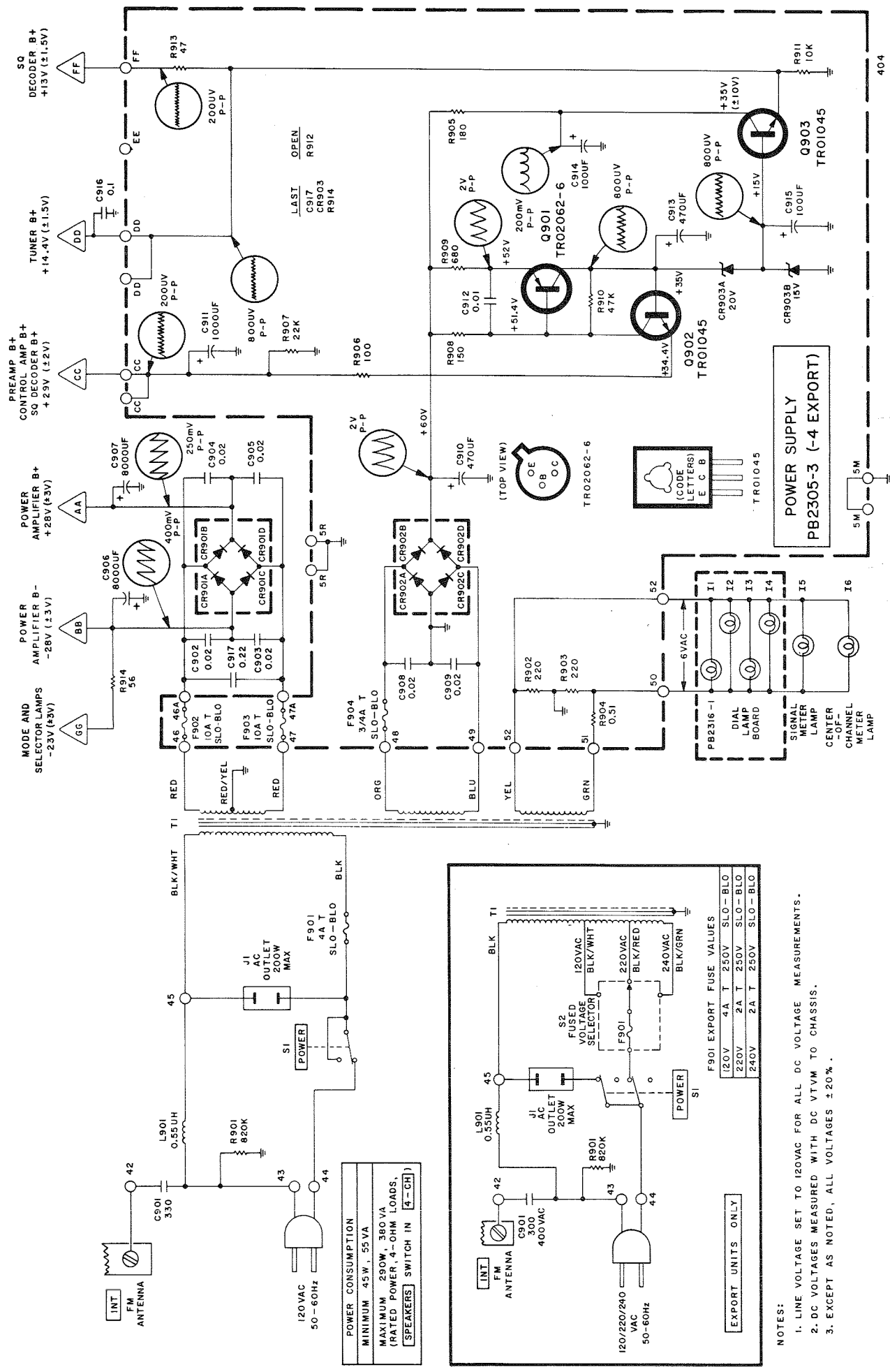




NOTES:
 1. LINE VOLTAGE SET TO 120 VAC FOR ALL VOLTAGE MEASUREMENTS. EXCEPT AS NOTED, ALL VOLTAGES $\pm 20\%$.
 2. **XXX AC** DENOTES 1kHz SIGNAL LEVELS MEASURED WITH AC VTVM TO CHASSIS, VOLUME CONTROL MAXIMUM, BALANCE CONTROL CENTERED.

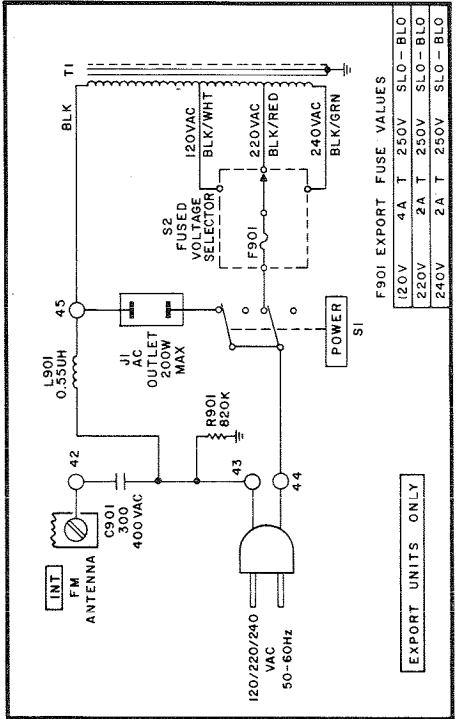


- NOTES:**
1. LINE VOLTAGE SET TO 120VAC FOR ALL VOLTAGE MEASUREMENTS.
 2. EXCEPT AS NOTED, ALL VOLTAGES $\pm 20\%$
 3. [XXXX] DENOTES DC VOLTAGES MEASURED WITH DC VTVM TO CHASSIS WITH NO INPUT SIGNAL.
 4. [XXXX] DENOTES 1kHz SIGNAL LEVELS MEASURED WITH AC VTVM TO CHASSIS, ONE CHANNEL DRIVEN, SPEAKERS SWITCH SET TO MAIN [4].
 5. [O] DENOTES CAPACITORS MOUNTED ON UNDERSIDE OF BOARD.
 6. WHEN SPEAKERS SWITCH IS SET FOR 2-CH OPERATION, FRONT CHANNEL LOADS MUST 'FLOAT' TO PREVENT SERIES-CONNECTED REAR AMPLIFIERS FROM BEING SHORT-CIRCUITED.

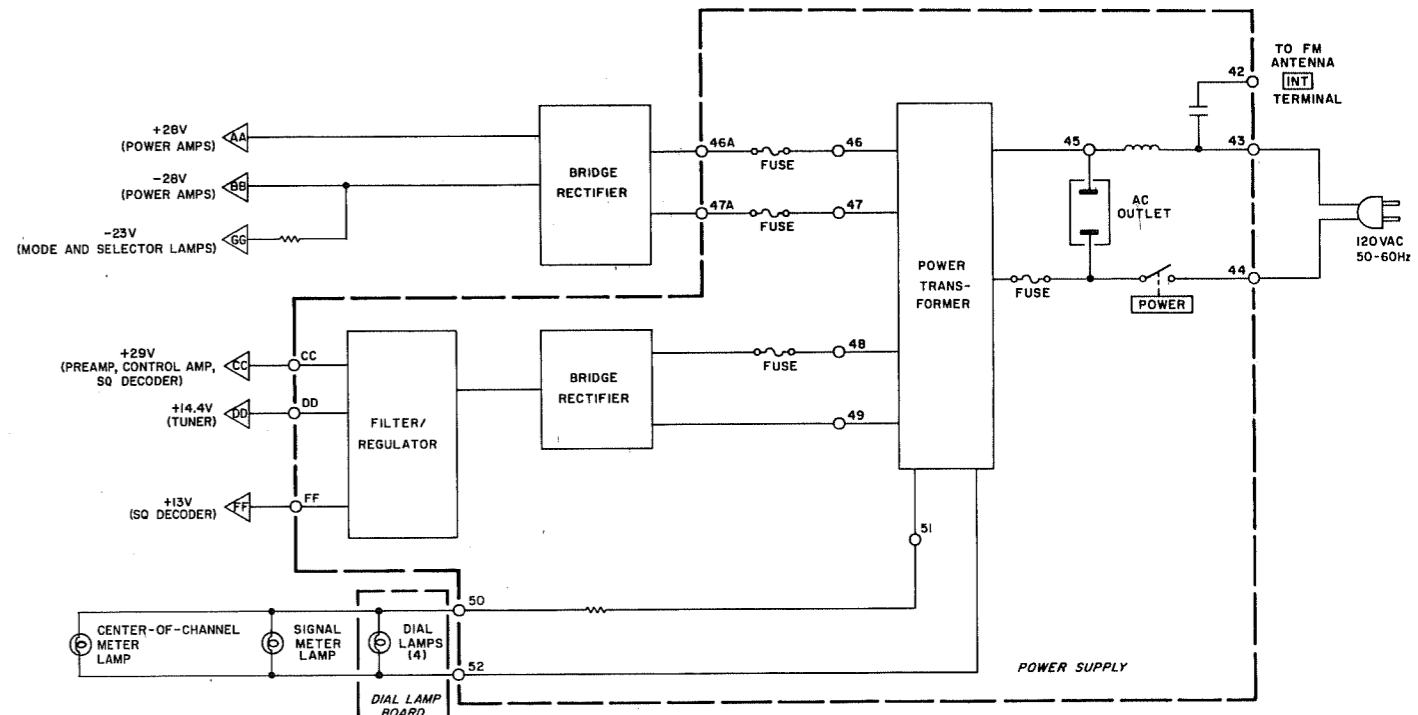
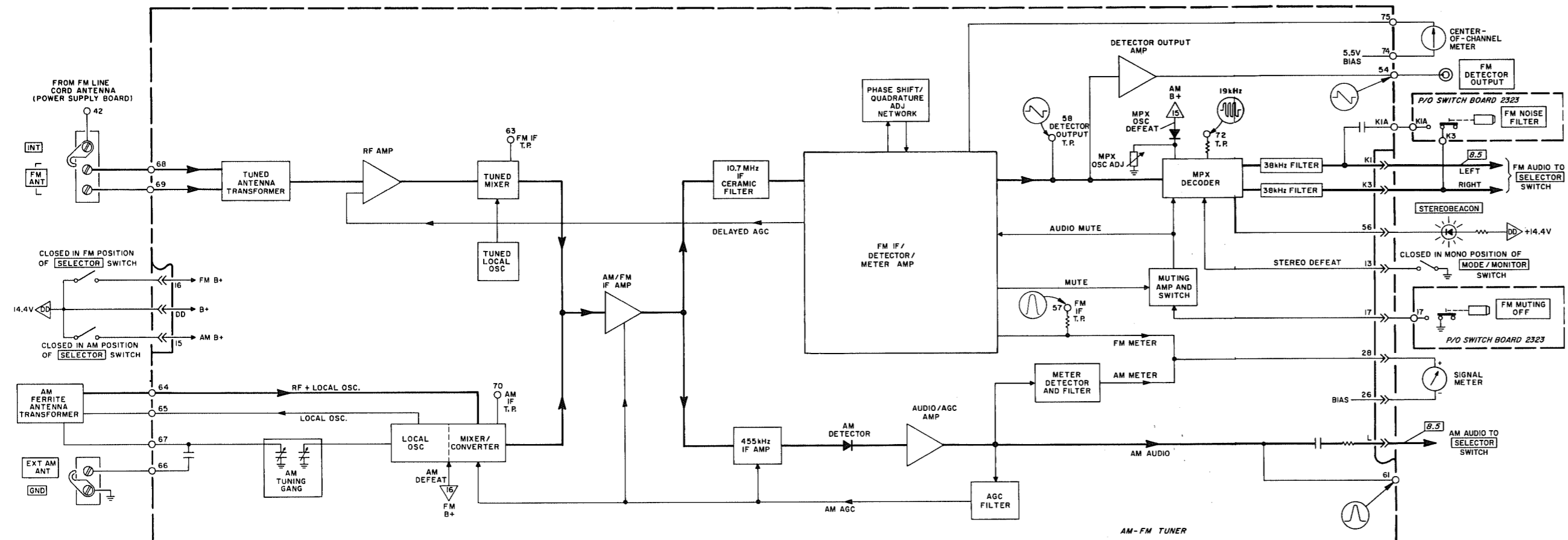


POWER CONSUMPTION

MINIMUM	45W, 55VA
MAXIMUM	290W, 380VA
[RATED POWER, 4-OHM LOADS, [SPEAKERS] SWITCH IN [4-CH]]	

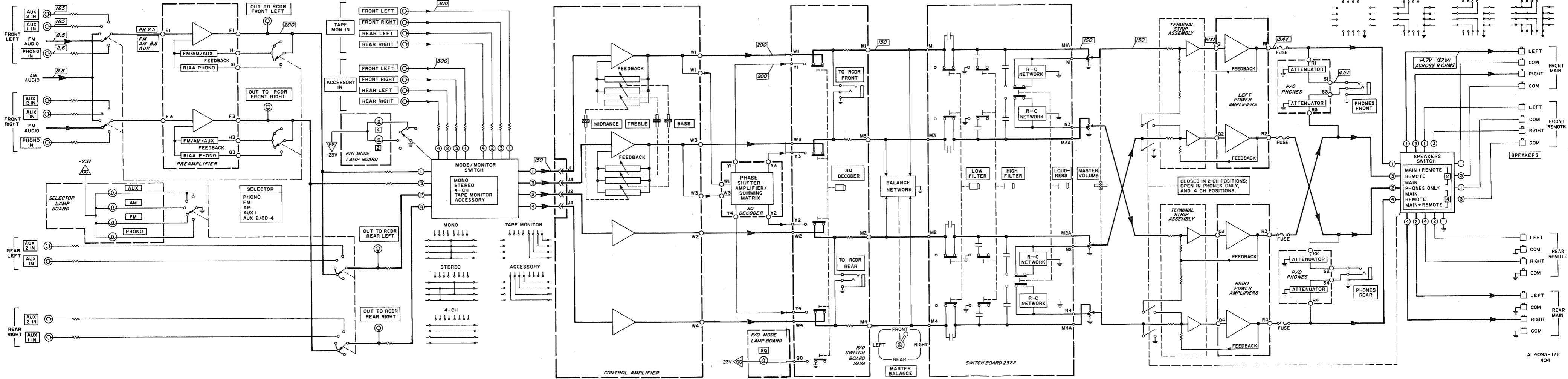
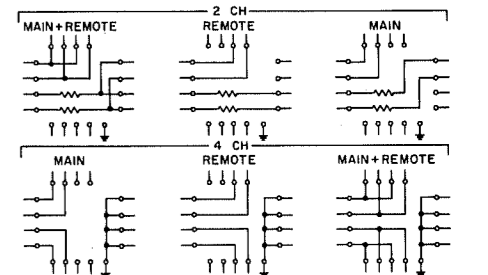


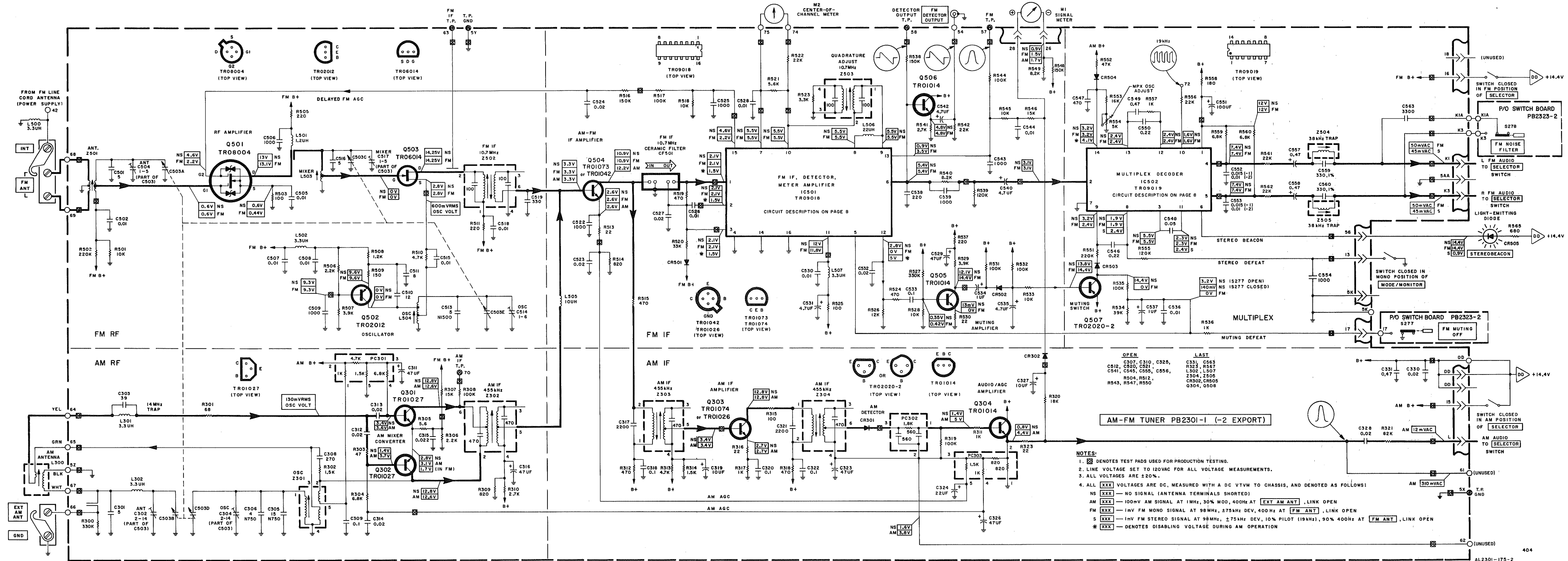
- NOTES:**
1. LINE VOLTAGE SET TO 120VAC FOR ALL DC VOLTAGE MEASUREMENTS.
 2. DC VOLTAGES MEASURED WITH DC VTVM TO CHASSIS.
 3. EXCEPT AS NOTED, ALL VOLTAGES $\pm 20\%$.



NOTES:

1. LINE VOLTAGE SET TO 120VAC FOR ALL VOLTAGE MEASUREMENTS. EXCEPT AS NOTED; ALL MEASUREMENTS $\pm 20\%$.
2. $\times 100$ DENOTES 100mV SIGNAL LEVELS (IN MILLIVOLTS) FOR 14.7V OUTPUT ACROSS 8- Ω LOAD, ONE CHANNEL DRIVEN, PUSHBUTTONS OUT, SWITCHES TO 4-CH. VOLUME MAXIMUM. 100mV FM, 10mV AUDIO $\pm 14\%$ DEVIATION AT FM ANT TERMINALS; 100mV AM 10mV AUDIO 20% MODULATION AT EXT AM ANT TERMINAL, GND LINK OPEN.
3. WHEN SPEAKERS SWITCH IS SET FOR 2-CH OPERATION, FRONT-CHANNEL LOADS MUST "FLOAT", TO PREVENT SERIES-CONNECTED REAR AMPLIFIERS FROM BEING SHORT-CIRCUITED.





NOTES:

- ⊠ DENOTES TEST PADS USED FOR PRODUCTION TESTING.
- LINE VOLTAGE SET TO 120VAC FOR ALL VOLTAGE MEASUREMENTS.
- ALL VOLTAGES ARE ±20%.
- ALL [XXX] VOLTAGES ARE DC, MEASURED WITH A DC VTVM TO CHASSIS, AND DENOTED AS FOLLOWS:

	OPEN	LAST
NS [XXX]	C307, C310, C325, C512, C550, C521, C541, C545, C555, C556, R504, R512, R543, R547, R550	C331, C563, R323, R567, L302, L507, Z304, Z505, CR302, CR505, Q304, Q508