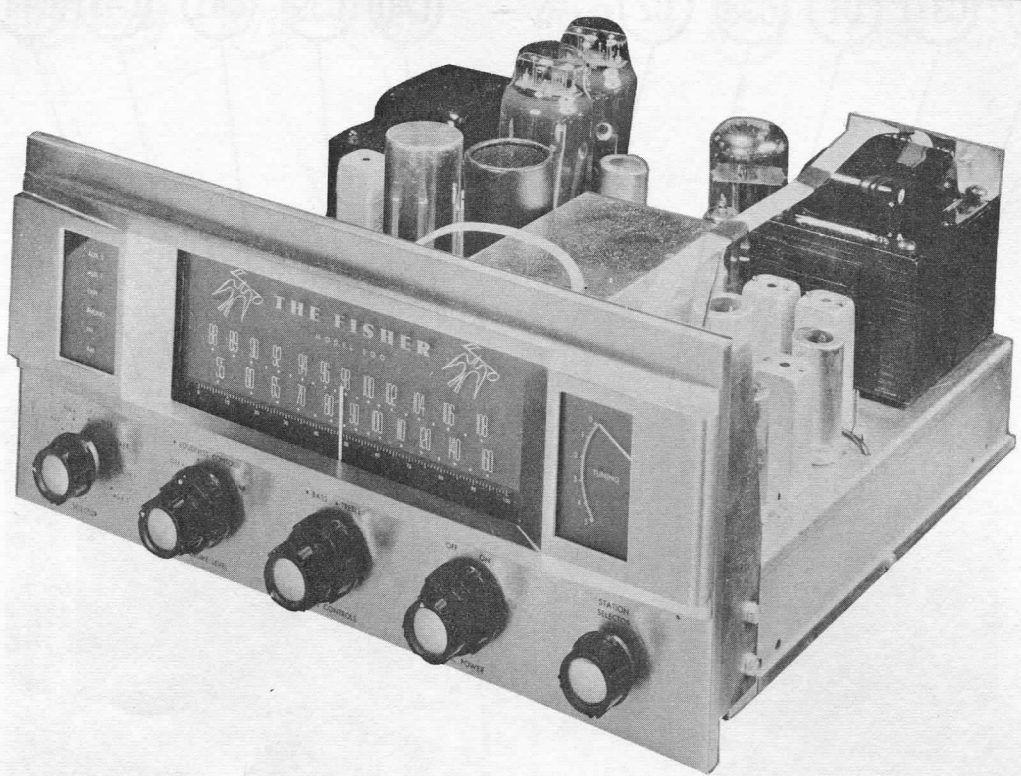


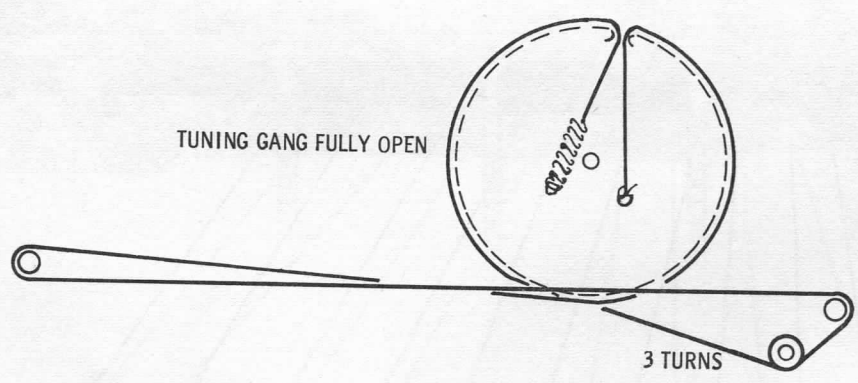


FISHER  
MODEL 500



FISHER  
MODEL 500

|                        |  |            |                                     |
|------------------------|--|------------|-------------------------------------|
| TRADE NAME             | Fisher Model 500   |            |                                     |
| MANUFACTURER           | Fisher Radio Corp., 21-21 44th. Drive, Long Island City 1, N. Y. |            |                                     |
| TYPE SET               | AC Operated FM-AM Receiver                                       |            |                                     |
| TUBES                  | Fourteen   |            |                                     |
| POWER SUPPLY           | 105-125 Volts AC 50/60 Cycles                                    | RATING     | 1.4 Amp. @ 117 Volts AC (160 Watts) |
| TUNING RANGE-BROADCAST | 550-1600KC   | FREQ. MOD. | 88-108MC                            |



**HOWARD W. SAMS & CO., INC. • Indianapolis 5, Indiana**

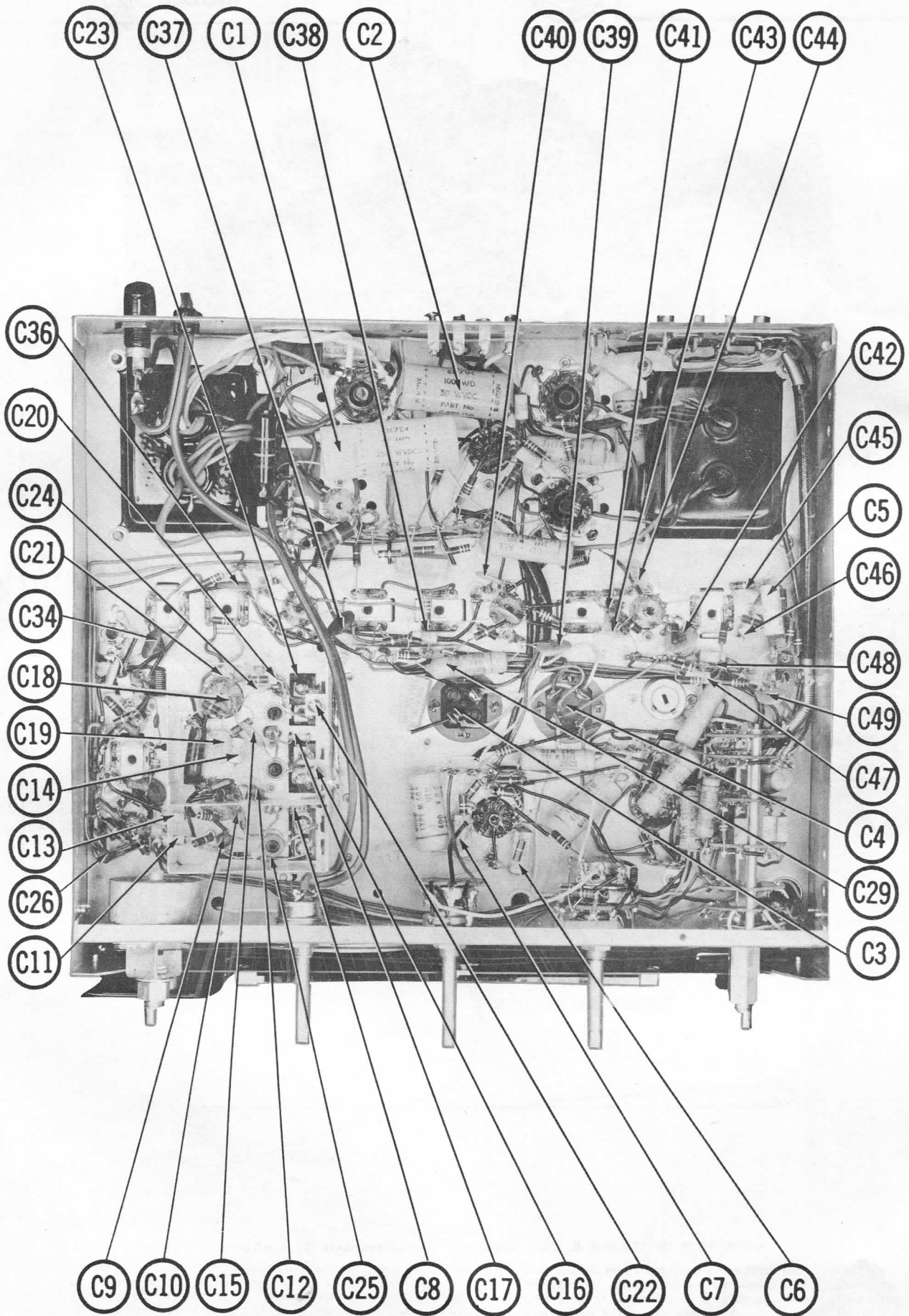
The listing of any available replacement part herein does not constitute in any case a recommendation, warranty or guaranty by Howard W. Sams & Co., Inc., as to the quality and suitability of such replacement part. The numbers of these parts have been compiled from information furnished to Howard W. Sams & Co., Inc., by the manufacturers of H409

the particular type of replacement part listed. Reproduction or use, without express permission, of editorial or pictorial content, in any manner, is prohibited. No patent liability is assumed with respect to the use of the information contained herein. © 1958 Howard W. Sams & Co., Inc., Indianapolis 5, Indiana. Printed in U.S. of America

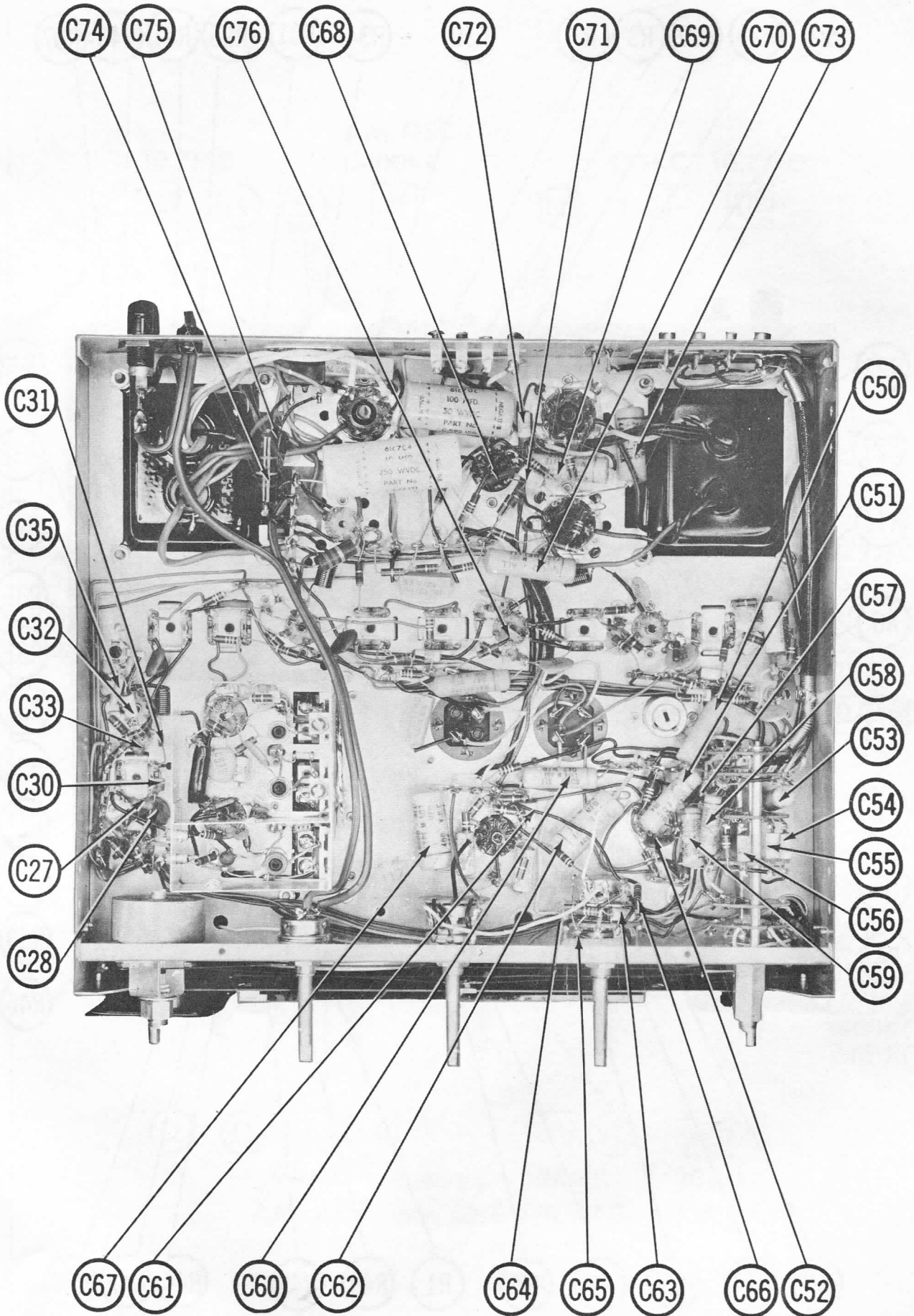
DATE 5-58

SET 400 FOLDER 7

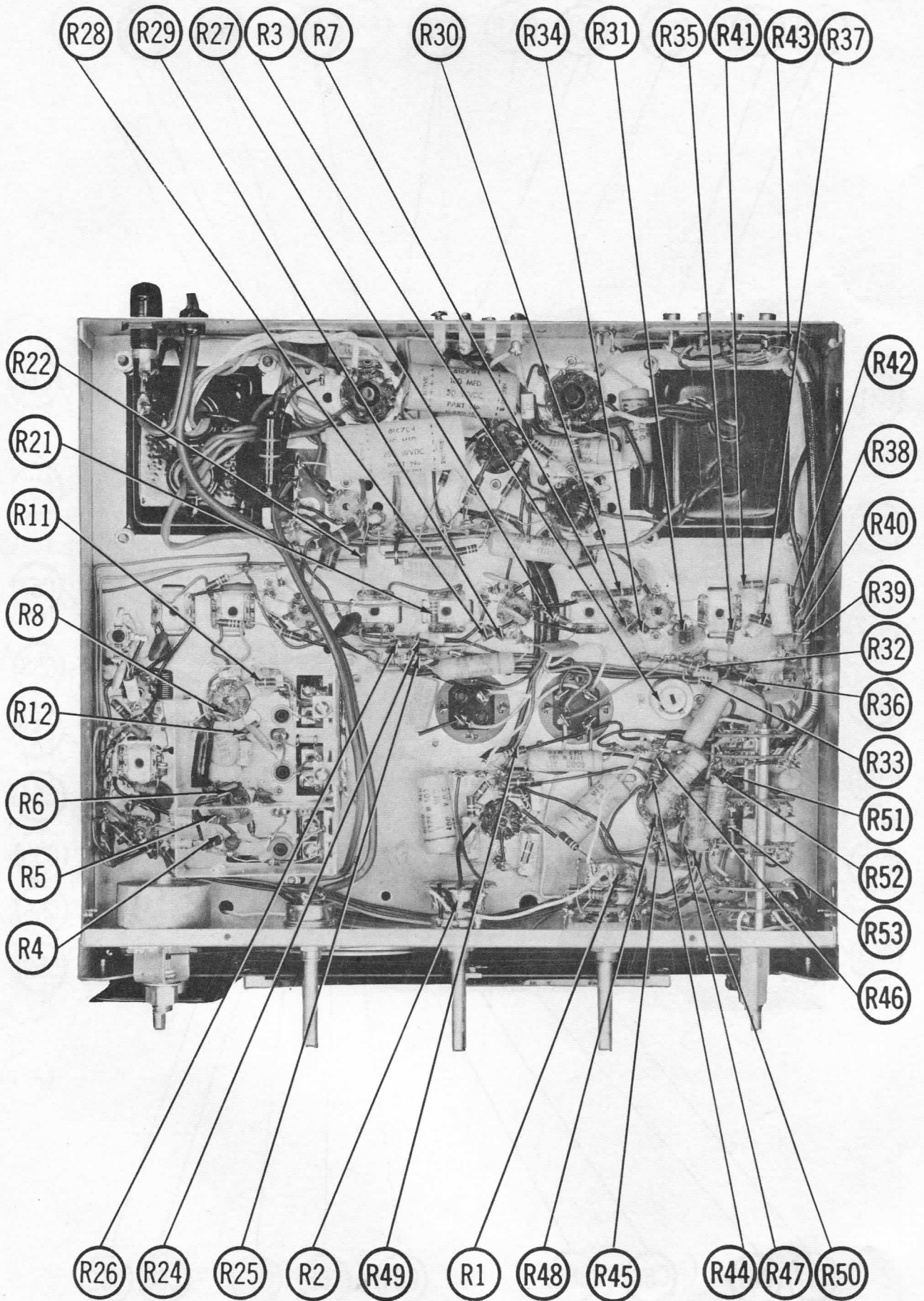
SET 400 FOLDER 7



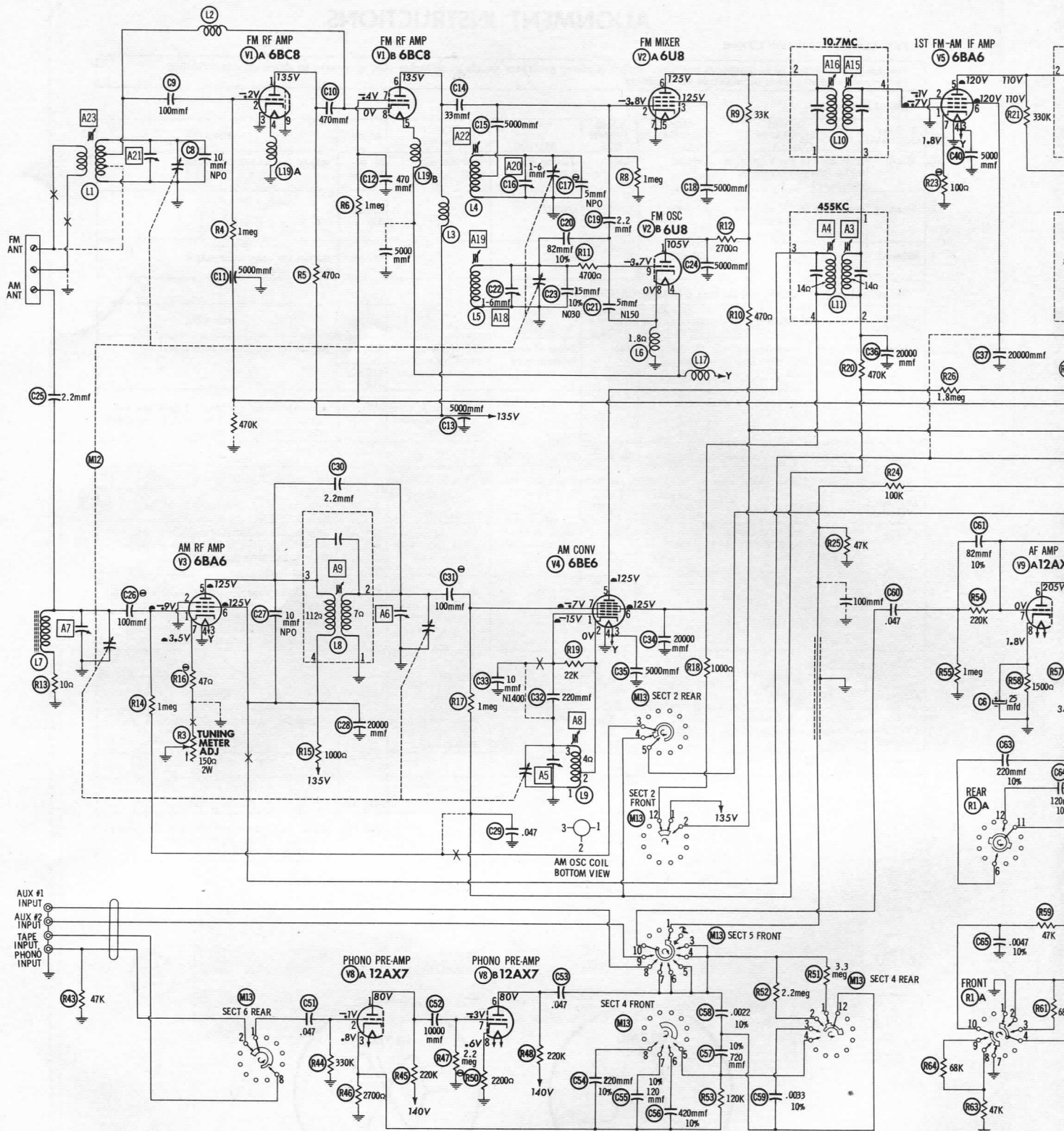
CHASSIS-BOTTOM VIEW-CAPACITOR IDENTIFICATION



CHASSIS BOTTOM VIEW-CAPACITOR IDENTIFICATION



CHASSIS-BOTTOM VIEW-RESISTOR IDENTIFICATION



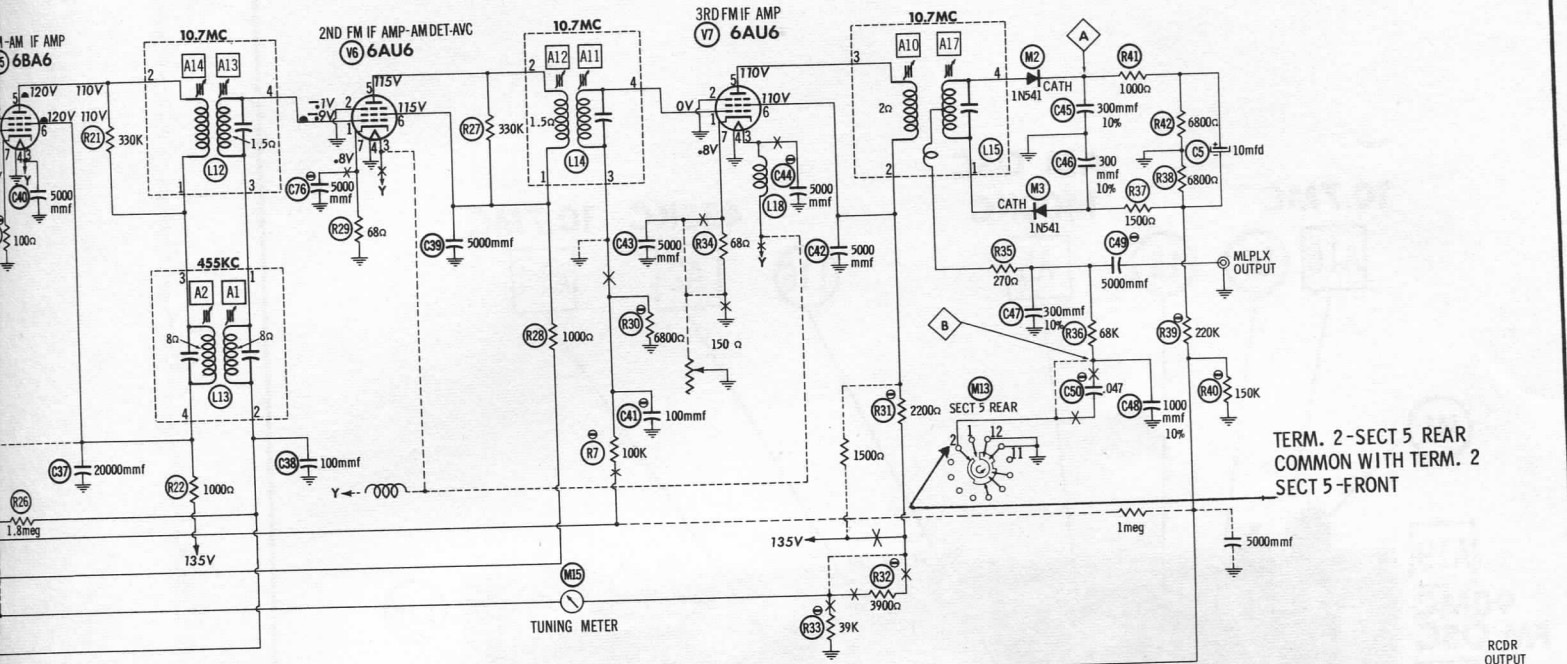
RESISTANCE READINGS

| ITEM | TUBE | Pin 1   | Pin 2  | Pin 3  | Pin 4 | Pin 5  | Pin 6  | Pin 7   | Pin 8 | Pin 9 |
|------|------|---------|--------|--------|-------|--------|--------|---------|-------|-------|
| V1   | 6BC8 | *1000Ω  | 1.1meg | 0Ω     | .1Ω   | .1Ω    | *540Ω  | 1.1meg  | .1Ω   | 0Ω    |
| V2   | 6U8  | *3700Ω  | 1meg   | *1000Ω | .1Ω   | 0Ω     | *1000Ω | 0Ω      | 1.8Ω  | 4700Ω |
| V3   | 6BA6 | *2.9meg | 0Ω     | .1Ω    | 0Ω    | *1500Ω | *1500Ω | 270Ω    |       |       |
| V4   | 6BE6 | 22K     | .5Ω    | .1Ω    | 0Ω    | *1500Ω | *1500Ω | *2.9meg |       |       |
| V5   | 6BA6 | 2.3meg  | 0Ω     | 0Ω     | .1Ω   | *1500Ω | *1500Ω | 100Ω    |       |       |
| V6   | 6AU6 | 150K    | 0Ω     | .1Ω    | 0Ω    | *1500Ω | *1500Ω | 68Ω     |       |       |
| V7   | 6AU6 | 6800Ω   | 0Ω     | .1Ω    | 0Ω    | *2700Ω | *2700Ω | 68Ω     |       |       |

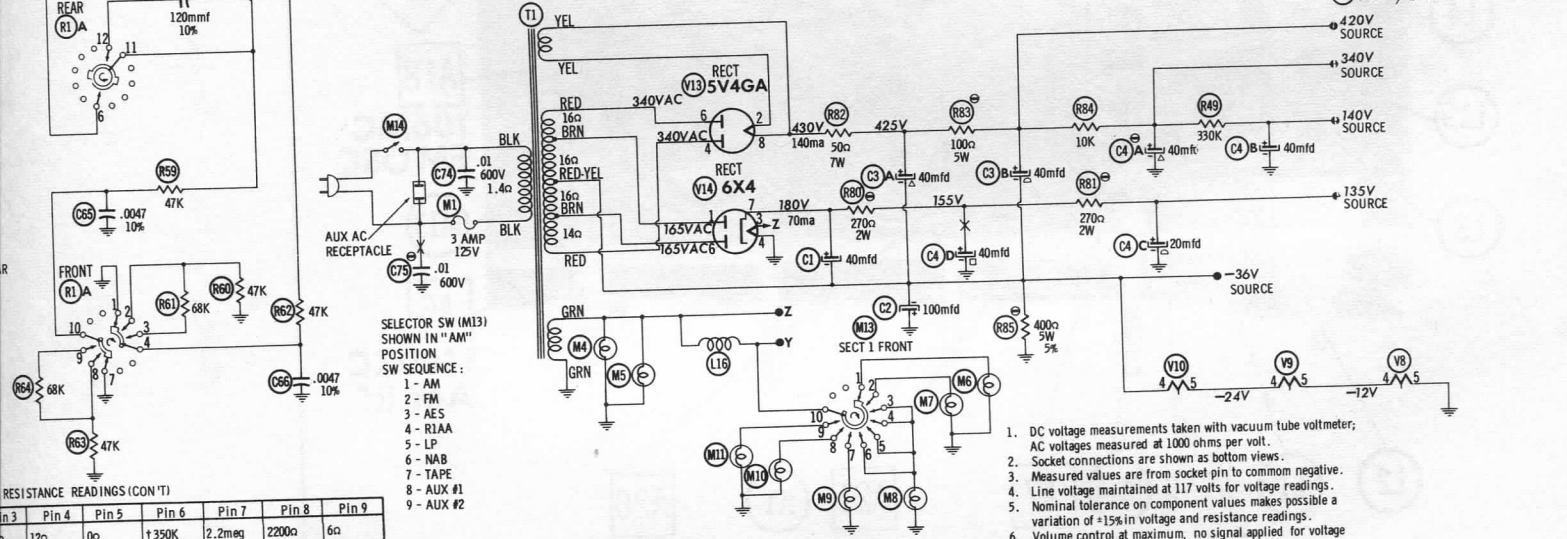
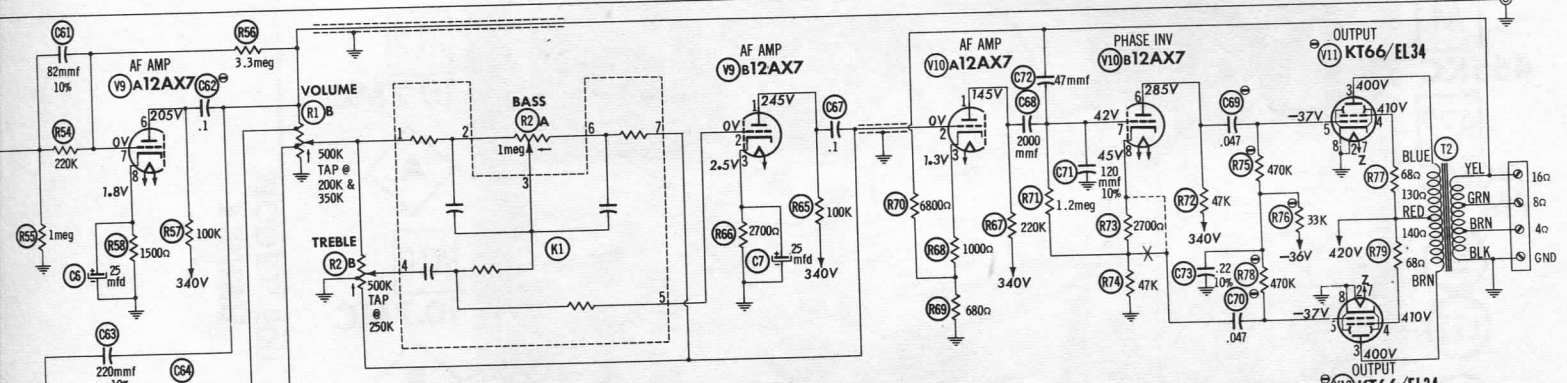
RESISTANCE READINGS (CON'T)

| ITEM | TUBE         | Pin 1 | Pin 2    | Pin 3 | Pin 4 | Pin 5 | Pin 6 |
|------|--------------|-------|----------|-------|-------|-------|-------|
| V8   | 12AX7        | †350K | 330K     | 2700Ω | 12Ω   | 0Ω    | †350K |
| V9   | 12AX7        | †110K | 440K     | 2700Ω | 24Ω   | 12Ω   | †110K |
| V10  | 12AX7        | †230K | 230K     | 1600Ω | 36Ω   | 24Ω   | †57K  |
| V11  | KT66<br>EL34 | NC    | 0Ω       | †280Ω | †220Ω | 470K  | TP    |
| V12  | KT66<br>EL34 | TP    | 0Ω       | †290Ω | †220Ω | 470K  | TP    |
| V13  | 5V4GA        | NC    | 20K(MIN) | TP    | 64Ω   | NC    | 66Ω   |
| V14  | 6X4          | 52Ω   | TP       | .1Ω   | 0Ω    | NC    | 52Ω   |

A PHOTOFAC STANDARD NOTATION SCHEMATIC  
Howard W. Sams & Co., Inc. 1958



TERM. 2-SECT 5 REAR  
COMMON WITH TERM. 2  
SECT 5-FRONT



SELECTOR SW (M13)  
SHOWN IN "AM"  
POSITION  
SW SEQUENCE:  
1 - AM  
2 - FM  
3 - AES  
4 - RIAA  
5 - LP  
6 - NAB  
7 - TAPE  
8 - AUX #1  
9 - AUX #2

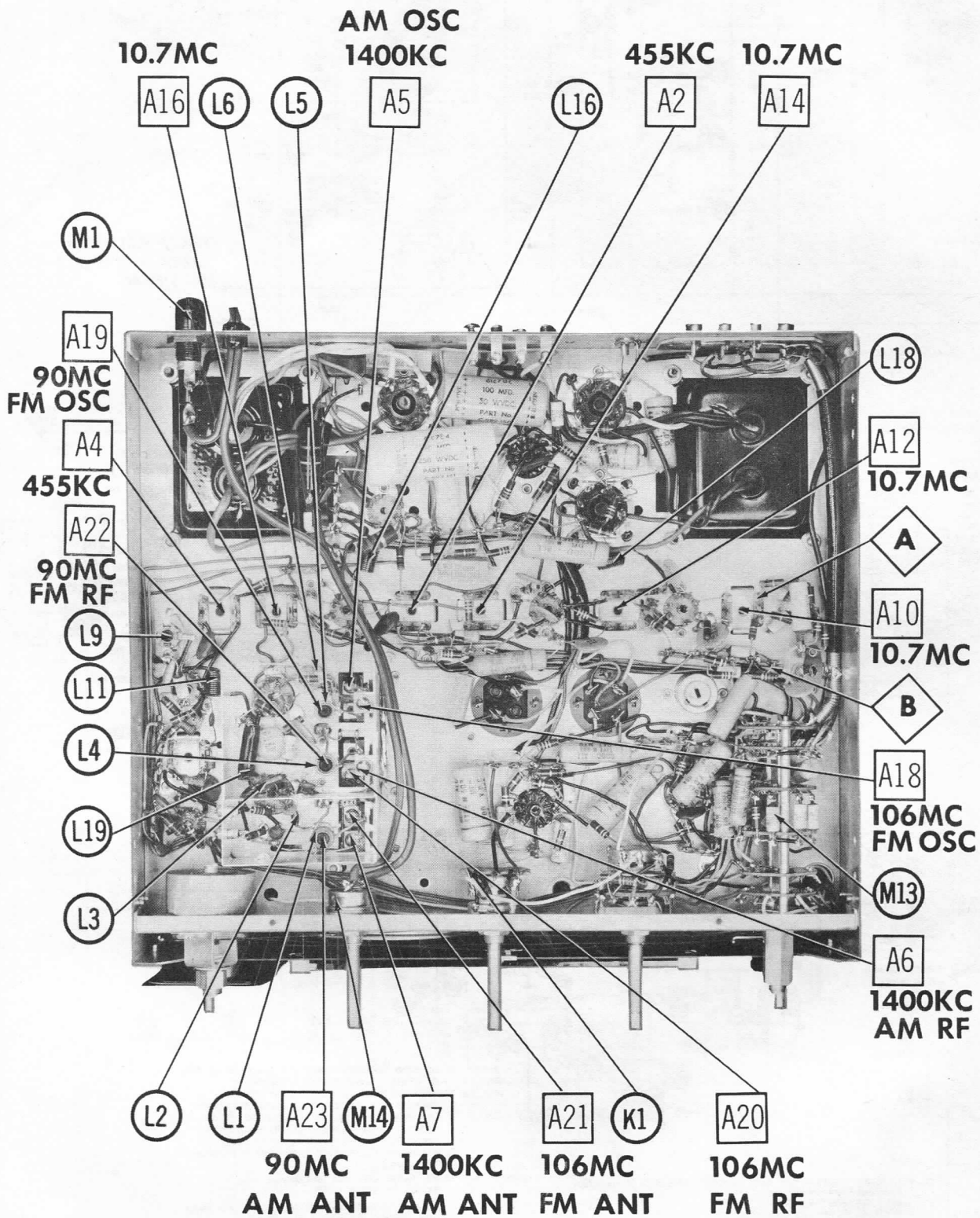
RESISTANCE READINGS (CON'T)

| Pin 3         | Pin 4       | Pin 5       | Pin 6       | Pin 7         | Pin 8       | Pin 9 |
|---------------|-------------|-------------|-------------|---------------|-------------|-------|
| 12 $\Omega$   | 0 $\Omega$  | †350K       | 2.2meg      | 2200 $\Omega$ | 6 $\Omega$  |       |
| 24 $\Omega$   | 12 $\Omega$ | †110K       | 900K        | 1500 $\Omega$ | 18 $\Omega$ |       |
| 36 $\Omega$   | 24 $\Omega$ | †57K        | 1.2meg      | 49K           | 30 $\Omega$ |       |
| †220 $\Omega$ | 470K        | TP          | .1 $\Omega$ | 0 $\Omega$    |             |       |
| †220 $\Omega$ | 470K        | TP          | .1 $\Omega$ | 0 $\Omega$    |             |       |
| 64 $\Omega$   | NC          | 66 $\Omega$ | NC          | 20K(MIN)      |             |       |
| 0 $\Omega$    | NC          | 52 $\Omega$ | 20K(MIN)    |               |             |       |

ALL MEASUREMENTS TAKEN IN "FM" POSITION UNLESS OTHERWISE DESIGNATED  
 † MEASURED FROM PIN 7 OF V14  
 † MEASURED FROM PIN 8 OF V13  
 † MEASURED IN "AM" POSITION  
 NC NO CONNECTION  
 TP TIE POINT

- DC voltage measurements taken with vacuum tube voltmeter; AC voltages measured at 1000 ohms per volt.
- Socket connections are shown as bottom views.
- Measured values are from socket pin to common negative.
- Line voltage maintained at 117 volts for voltage readings.
- Nominal tolerance on component values makes possible a variation of ±15% in voltage and resistance readings.
- Volume control at maximum, no signal applied for voltage measurements.

SEE PARTS LIST FOR ALTERNATE VALUE OR APPLICATION  
 DC COIL RESISTANCE VALUES UNDER ONE OHM NOT SHOWN ON SCHEMATIC DIAGRAM  
 ARROWS ON CONTROLS INDICATE CLOCKWISE ROTATION (CONTROL VIEWED FROM SHAFT END)



FISHER  
MODEL 500

FOLDER 7

CHASSIS BOTTOM VIEW—ALIGN., INDUCTOR, MISC. IDENT.

# ALIGNMENT INSTRUCTIONS

## PRE-ALIGNMENT INSTRUCTIONS

Volume control should be at maximum position. Output of signal generator should be no higher than necessary to obtain an output reading. Use an insulated alignment screwdriver for adjusting.

### AM ALIGNMENT

| DUMMY ANTENNA | SIGNAL GENERATOR COUPLING                                    | SIGNAL GENERATOR FREQUENCY | BAND SWITCH POS. | RADIO DIAL SETTING     | OUTPUT METER      | ADJUST         | REMARKS  |
|---------------|--|----------------------------|------------------|------------------------|-------------------|----------------|--|
| 1. .01mfd     | High side to pin 7 (grid) of 6BE6 (V4). Low side to chassis. | 455KC                      | AM               | Tuning gang fully open | Across voice coil | A1, A2, A3, A4 | Adjust for maximum output.                       |
| 2. 200mmf     | High side to AM antenna terminal. Low side to chassis.       | 1400KC                     | "                | 1400KC                 | "                 | A5, A6, A7     | "  |
| 3. 200mmf     | "  | 600KC                      | "                | 600KC                  | "                 | A8, A9         | Adjust for maximum output. Repeat steps 2 and 3. |

### FM IF ALIGNMENT USING AM SIGNAL GENERATOR AND VTVM

| DUMMY ANTENNA | SIGNAL GENERATOR COUPLING   | SIGNAL GENERATOR FREQUENCY | BAND SWITCH POS. | RADIO DIAL SETTING        | CONNECT VTVM                                      | ADJUST                            | REMARKS  |
|---------------|---|----------------------------|------------------|---------------------------|---|-----------------------------------|--|
| 4. Direct     | High side to ungrounded tube shield on 6U8 (V2). Low side to chassis. | 10.7MC (Unmod)             | FM               | Point of non-interference | DC probe to point $\text{A}$ . Common to chassis. | A10, A11, A12, A13, A14, A15, A16 | Adjust for maximum deflection.   |
| 5. "          | "   | "                          | "                | "                         | DC probe to point $\text{B}$ . Common to chassis. | A17                               | Adjust for zero reading. A positive and negative reading will be obtained on either side of the correct setting. |

### FM IF ALIGNMENT USING FM SIGNAL GENERATOR AND OSCILLOSCOPE

Use frequency modulated signal with 60% modulation and 450KC sweep. Use 120% sawtooth volage in scope for horizontal deflection.

| DUMMY ANTENNA | SIGNAL GENERATOR COUPLING   | SIGNAL GENERATOR FREQUENCY | BAND SWITCH POS. | RADIO DIAL SETTING        | CONNECT SCOPE   | ADJUST                            | REMARKS  |
|---------------|---|----------------------------|------------------|---------------------------|---|-----------------------------------|--|
| 4. Direct     | High side to ungrounded tube shield on 6U8 (V2). Low side to chassis. | 10.7MC (450KC Swp)         | FM               | Point of non-interference | Vert. Amp. to point $\text{A}$ . Low side to chassis. | A10, A11, A12, A13, A14, A15, A16 | Disconnect stabilizing capacitor (C5). Adjust for curve of maximum amplitude and symmetry as in Fig. 1.  |
| 5. "          | "   | "                          | "                | "                         | Vert. Amp. to point $\text{B}$ . Low side to chassis. | A17                               | Reconnect capacitor (C5). Adjust A17 so that 10.7MC occurs at center of crossover lines as in Fig. 2. SLIGHTLY re-touch A10 for maximum amplitude and straightness of crossover lines. |

### FM RF ALIGNMENT

| DUMMY ANTENNA                   | SIGNAL GENERATOR COUPLING                              | SIGNAL GENERATOR FREQUENCY | BAND SWITCH POS. | RADIO DIAL SETTING | CONNECT SCOPE                                     | ADJUST   | REMARKS   |
|---------------------------------|--|----------------------------|------------------|--------------------|---|----------|---|
| 6. 270 $\Omega$ Carbon Resistor | High side to FM antenna terminal. Low side to chassis. | 106MC (45KC Swp)           | FM               | 106MC              | DC probe to point $\text{A}$ . Common to chassis. | A18      | Adjust for maximum deflection.  |
| 7. "                            | "  | 90MC                       | "                | 90MC               | "   | A19      | "   |
| 8. "                            | "  | 106MC                      | "                | 106MC              | "   | A20, A21 | "   |
| 9. "                            | "  | 90MC                       | "                | 90MC               | "   | A22, A23 | Adjust for maximum deflection. Repeat steps 6, 7, 8 and 9 until no further improvement is obtained. |

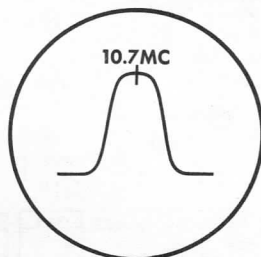


FIG. 1

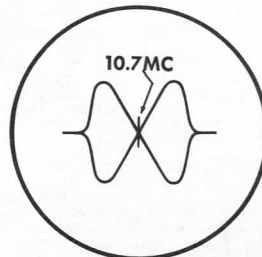
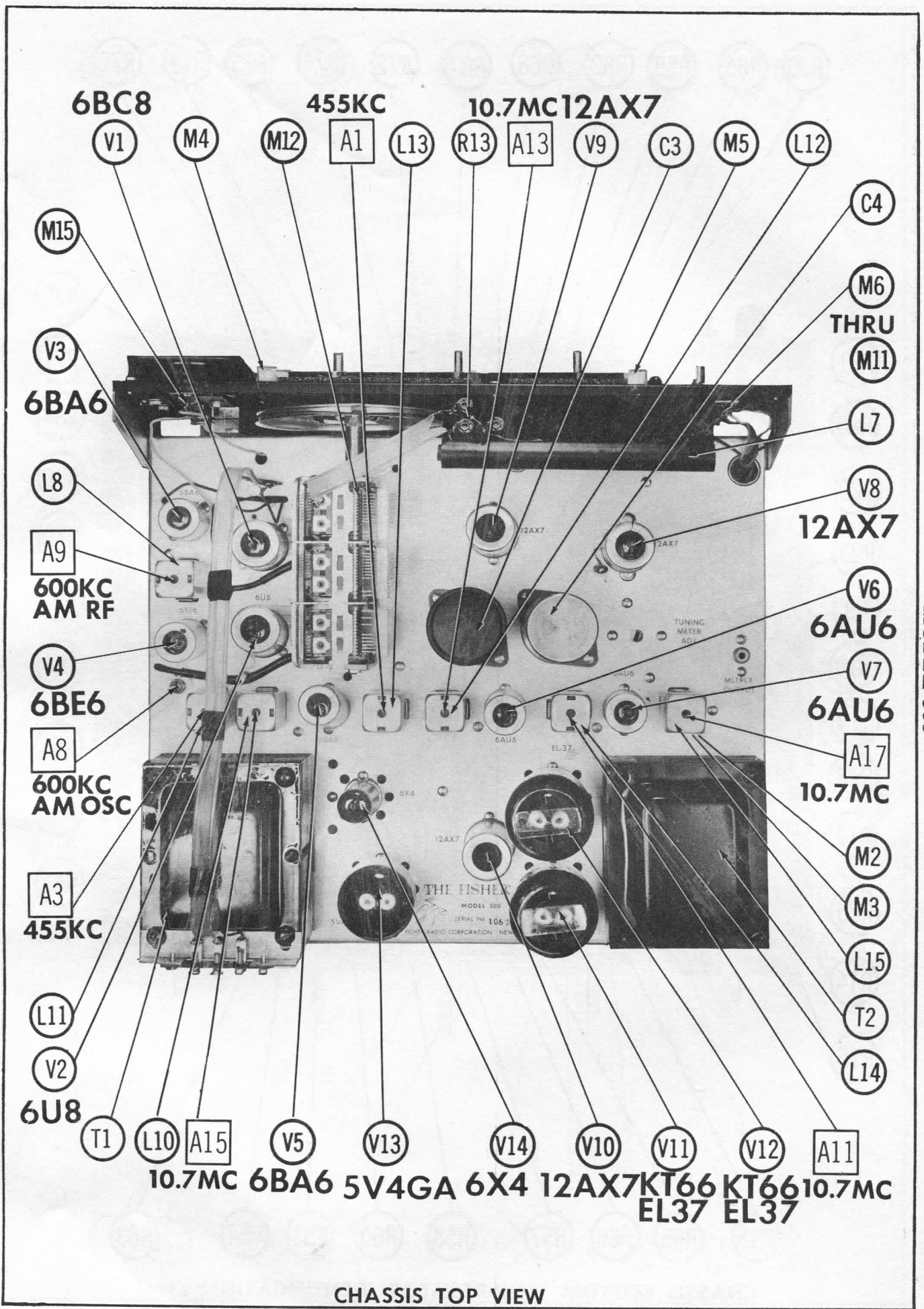


FIG. 2

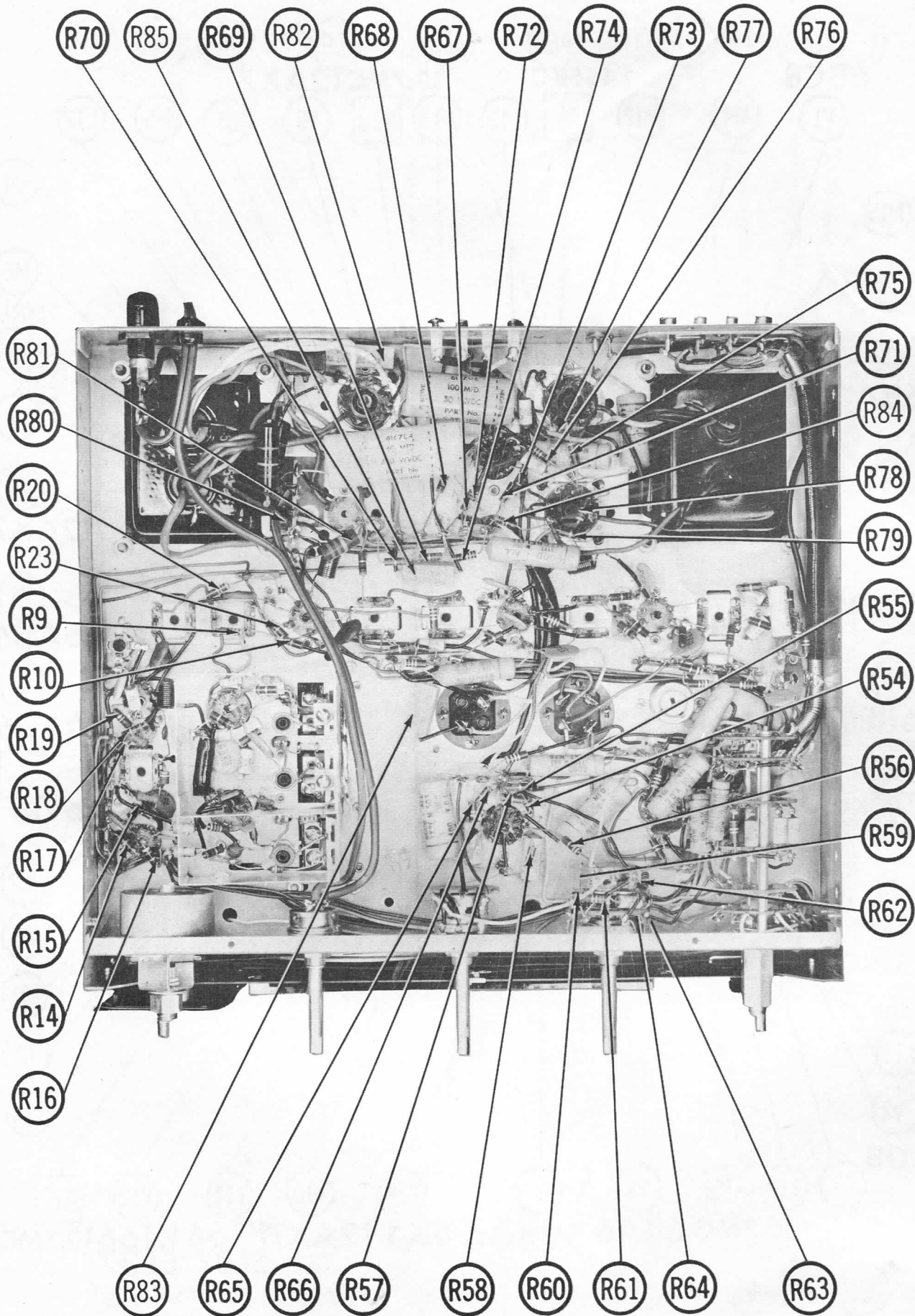




FISHER  
MODEL 500

FOLDER 7

CHASSIS TOP VIEW



CHASSIS BOTTOM VIEW-RESISTOR IDENTIFICATION

# PARTS LIST AND DESCRIPTIONS TUBES (GENERAL ELECTRIC, SYLVANIA)

| ITEM No. | USE                     | TYPE | NOTES  |
|----------|-------------------------|------|--------|
| V1       | FM RF Amplifier         | 6BC8 |        |
| V2       | FM Mixer-FM Osc.        | 6U8  |        |
| V3       | AM RF Amplifier         | 6BE6 |        |
| V4       | AM Converter            | 6BE6 | Note 1 |
| V5       | 1st. FM-AM IF Amplifier | 6BA6 | Note 1 |
| V6       | 2nd. FM IF Amp. -       | 6AU6 |        |
| V7       | AM Det. -AVC Limiter    | 6AU6 |        |

Note 1. Alternate type 58B1.

## ELECTROLYTIC CAPACITORS

| ITEM No. | RATING CAP. VOLT. | REPLACEMENT DATA |                  |                           |                  | NOTES     |
|----------|-------------------|------------------|------------------|---------------------------|------------------|-----------|
|          |                   | FISHER PART No.  | AEROVOX PART No. | CORNELL-DUBILIER PART No. | MALLORY PART No. |           |
| C1       | 40                | C-582-151        | PRS250V40        | BR4025                    | MT-2540          | TV-A-1511 |
| C2       | 100               | C-582-150        | PRS50V100        | BR1005                    | TD-100-50        | TV-A-1310 |
| C3A      | 40                | C-582-146        | AFH2-72          | B0530                     | TMD-62           | TV-L-2940 |
| C3B      | 40                | C-582-146        | AFH4-18-45       | C0350                     | TMT-40           | R2602 *   |
| C4A      | 40                | C-582-181        |                  | BR2085                    | TD-20-350        |           |
| C4B      | 40                | C-582-181        |                  |                           | MT-170           |           |
| C4C      | 40                | C-582-181        |                  |                           | MT-4520          |           |
| C5       | 10                | C-551-146        | PWE50010         | BBR10-50                  | TD-10-50         | TV-A-1304 |
| C6       | 25                | C-586-137        | PWE6025          | TT0X25                    | ML30-6           | TE-1091   |
| C7       | 25                | C-586-137        | PWE6025          | TT0X25                    | ML30-6           | TE-1091   |

\* Non Catalog Item

## FIXED CAPACITORS

Capacity values given in the rating column are in mfd. for Paper Capacitors, and in mmfd. for Mica and Ceramic Capacitors.

| ITEM No. | RATING CAP. VOLT. | REPLACEMENT DATA |                  |                           |                  | NOTES   |
|----------|-------------------|------------------|------------------|---------------------------|------------------|---------|
|          |                   | FISHER PART No.  | AEROVOX PART No. | CORNELL-DUBILIER PART No. | MALLORY PART No. |         |
| C8       | 10                | C20CH100G5       | NPO-SI 10        | TCZ-10                    | ZT-541           | 5TCC-Q1 |
| C9       | 100               | C-577-121        | BPD-0001         | DD-101                    | UC-531           | 5GA-T1  |
| C10      | 470               | C-520-143        | BPD-00047        | DD-471                    | UC-5347          | 5GA-T47 |
| C11      | 5000              | C-520-143        | BPD-00047        | DD-471                    | UC-5347          | 5GA-T47 |
| C12      | 470               | C-520-143        | BPD-00047        | DD-471                    | UC-5347          | 5GA-T47 |
| C13      | 5000              | C-520-143        | BPD-00047        | DD-471                    | UC-5347          | 5GA-T47 |
| C14      | 33                | C-520-143        | BPD-00047        | DD-471                    | UC-5347          | 5GA-T47 |
| C15      | 5000              | C-520-143        | BPD-00047        | DD-471                    | UC-5347          | 5GA-T47 |
| C16      | 1-6               | C-520-143        | BPD-00047        | DD-471                    | UC-5347          | 5GA-T47 |
| C17      | 5                 | C-520-143        | BPD-00047        | DD-471                    | UC-5347          | 5GA-T47 |
| C18      | 5                 | C-520-143        | BPD-00047        | DD-471                    | UC-5347          | 5GA-T47 |
| C19      | 5000              | C-520-143        | BPD-00047        | DD-471                    | UC-5347          | 5GA-T47 |
| C20      | 82                | C-520-143        | BPD-00047        | DD-471                    | UC-5347          | 5GA-T47 |
| C21      | 5                 | C-520-143        | BPD-00047        | DD-471                    | UC-5347          | 5GA-T47 |
| C22      | 1-6               | C-520-143        | BPD-00047        | DD-471                    | UC-5347          | 5GA-T47 |
| C23      | 15                | C-520-143        | BPD-00047        | DD-471                    | UC-5347          | 5GA-T47 |
| C24      | 5000              | C-520-143        | BPD-00047        | DD-471                    | UC-5347          | 5GA-T47 |
| C25      | 2.2               | C-520-143        | BPD-00047        | DD-471                    | UC-5347          | 5GA-T47 |
| C26      | 100               | C-520-143        | BPD-00047        | DD-471                    | UC-5347          | 5GA-T47 |
| C27      | 100               | C-520-143        | BPD-00047        | DD-471                    | UC-5347          | 5GA-T47 |
| C28      | 20000             | C-520-143        | BPD-00047        | DD-471                    | UC-5347          | 5GA-T47 |
| C29      | 0.47              | C-520-143        | BPD-00047        | DD-471                    | UC-5347          | 5GA-T47 |
| C30      | 2.2               | C-520-143        | BPD-00047        | DD-471                    | UC-5347          | 5GA-T47 |
| C31      | 100               | C-520-143        | BPD-00047        | DD-471                    | UC-5347          | 5GA-T47 |
| C32      | 220               | C-520-143        | BPD-00047        | DD-471                    | UC-5347          | 5GA-T47 |
| C33      | 10                | C-520-143        | BPD-00047        | DD-471                    | UC-5347          | 5GA-T47 |
| C34      | 20000             | C-520-143        | BPD-00047        | DD-471                    | UC-5347          | 5GA-T47 |
| C35      | 5000              | C-520-143        | BPD-00047        | DD-471                    | UC-5347          | 5GA-T47 |
| C36      | 20000             | C-520-143        | BPD-00047        | DD-471                    | UC-5347          | 5GA-T47 |
| C37      | 20000             | C-520-143        | BPD-00047        | DD-471                    | UC-5347          | 5GA-T47 |
| C38      | 100               | C-520-143        | BPD-00047        | DD-471                    | UC-5347          | 5GA-T47 |
| C39      | 5000              | C-520-143        | BPD-00047        | DD-471                    | UC-5347          | 5GA-T47 |
| C40      | 5000              | C-520-143        | BPD-00047        | DD-471                    | UC-5347          | 5GA-T47 |
| C41      | 100               | C-520-143        | BPD-00047        | DD-471                    | UC-5347          | 5GA-T47 |

# PARTS LIST AND DESCRIPTIONS (Continued)

## CAPACITORS (cont)

| ITEM No. | RATING CAP. VOLT. | REPLACEMENT DATA |                  |                           |                  | NOTES   |
|----------|-------------------|------------------|------------------|---------------------------|------------------|---------|
|          |                   | FISHER PART No.  | AEROVOX PART No. | CORNELL-DUBILIER PART No. | MALLORY PART No. |         |
| C42      | 5000              | CK62GF502V6      | BFD-005          | DD-502                    | ED-005           | 5HK-D5  |
| C43      | 5000              | CK62GF502V6      | BFD-005          | DD-502                    | ED-005           | 5HK-D5  |
| C44      | 5000              | CK62GF502V6      | BFD-005          | DD-502                    | ED-005           | 5HK-D5  |
| C45      | 300               | CC21GF301K5      |                  | D6-301                    | ED-300           | MS-33   |
| C46      | 300               | CC21GF301K5      |                  | D6-301                    | ED-300           | MS-33   |
| C47      | 300               | CC21GF301K5      |                  | D6-301                    | ED-300           | MS-33   |
| C48      | 1000              | CC24GF102K5      |                  | IR5D1                     | ED-1000          | MS-21   |
| C49      | 5000              | CK62GF502V6      | BFD-005          | DD-502                    | ED-005           | 5HK-D5  |
| C50      | 0.47              | C68P473M2        | P288N-047        | DF-503                    | ED-005           | 5HK-D5  |
| C51      | 0.47              | C68P473M2        | P288N-047        | DF-503                    | ED-005           | 5HK-D5  |
| C52      | 10000             | CC62GF103V6      | P488N-047        | DF-103                    | ED-100           | 5HK-S1  |
| C53      | 0.47              | C68P473M4        | P488N-047        | DF-503                    | ED-005           | 5HK-S1  |
| C54      | 220               | CC21GF221K5      |                  | D6-221                    | ED-220           | MS-322  |
| C55      | 120               | CC21GF121K5      |                  | D6-121                    | ED-120           | MS-312  |
| C56      | 420               | CC21GF421K5      |                  | D6-420                    | ED-420           | MS-312  |
| C57      | 720               | CC21GF721K5      |                  | D6-720                    | ED-720           | MS-312  |
| C58      | 0.022             | C68P222K2        |                  | DF-503                    | ED-82            | 2TM-S47 |
| C59      | 0.033             | C68P332K2        |                  | DF-503                    | ED-82            | MS-462  |
| C60      | 0.047             | C68P473K2        |                  | DF-503                    | ED-82            | 4TM-P1  |
| C61      | 82                | CC21GF820K5      |                  | DF-503                    | ED-82            | 5HK-S2  |
| C62      | 400               | C68P104M4        |                  | DF-104                    | ED-220           | 4TM-S47 |
| C63      | 220               | CC21GF221K5      |                  | DF-104                    | ED-220           | 4TM-S47 |
| C64      | 120               | CC21GF121K5      |                  | DF-104                    | ED-220           | 4TM-S47 |
| C65      | 0.047             | C68P472K2        |                  | DF-104                    | ED-220           | 4TM-S47 |
| C66      | 0.047             | C68P472K2        |                  | DF-104                    | ED-220           | 4TM-S47 |
| C67      | 1                 | C68P104M4        |                  | DF-104                    | ED-220           | 4TM-S47 |
| C68      | 20000             | C68P104M4        |                  | DF-104                    | ED-220           | 4TM-S47 |
| C69      | 0.047             | C68P473M4        |                  | DF-104                    | ED-220           | 4TM-S47 |
| C70      | 0.047             | C68P473M4        |                  | DF-104                    | ED-220           | 4TM-S47 |
| C71      | 120               | CC21GF121K5      |                  | DF-104                    | ED-220           | 4TM-S47 |
| C72      | 47                | CC21GF470M5      |                  | DF-104                    | ED-220           | 4TM-S47 |
| C73      | 22                | C68P224V2        |                  | DF-104                    | ED-220           | 4TM-S47 |
| C74      | 0.1               | C-2747           |                  | DF-104                    | ED-220           | 4TM-S47 |
| C75      | 0.1               | C-2747           |                  | DF-104                    | ED-220           | 4TM-S47 |
| C76      | 5000              | CK62GF502V6      |                  | DF-104                    | ED-220           | 4TM-S47 |

- ① Some versions use 10mmf NPO in this application (Part #CC20CH100G5).
- ② Some versions use 220mmf in this application (Part #CC21GF221K5).
- ③ Not used in some versions.
- ④ Some versions use 20000mmf in this application (Part #C-556-122).
- ⑤ Some versions use .22mfd 400V in this application (Part #C68P224V4).
- ⑥ Some versions use .1mfd 400V in this application (Part #C68P104M4).

## CONTROLS

| ITEM No. | RATING RESIST. ANCE | WATTS | REPLACEMENT DATA |                    |                    |              | INSTALLATION NOTES                         |
|----------|---------------------|-------|------------------|--------------------|--------------------|--------------|--|
|          |                     |       | FISHER PART No.  | CENTRALAB PART No. | CLAROSTAT PART No. | IRC PART No. |  |
| RIA      | Switch              |       |                  |                    |                    |              |  |
| B        | 500K                |       | R-592-178        |                    |                    |              | Loudness Contour Volume, Tap @ 200K & 350K |
| R2A      | 1meg                |       | R-582-179        |                    |                    |              | Base Treble, Tap @ 250K Tuning Meter Adj.  |
| B        | 500K                |       |                  |                    |                    |              |  |
| R3       | 150Ω                |       | R-550-135-2      |                    |                    |              |  |

\* "Concentrik" Equivalent; K-6 Kit, Base Elements & Shafts: B11-137, P14-121 (Panel) B19-133X, R1-130 (Rear)

## RESISTORS

All wattages 1/2 watt, or less, unless otherwise listed.

| ITEM No. | RATING OHMS | WATT | REPLACEMENT DATA |                  | NOTES  |
|----------|-------------|------|------------------|------------------|--------|
|          |             |      | FISHER PART No.  | MALLORY PART No. |        |
| R4       | 1meg        |      |                  |                  |        |
| R5       | 470Ω        |      | RC20BF105K       |                  |        |
| R6       | 1meg        |      | RC20BF471K       |                  |        |
| R7       | 100K        |      | RC20BF105K       |                  | Note 1 |
| R8       | 1meg        |      | RC20BF105K       |                  |        |
| R9       | 33K         |      | RC20BF333K       |                  |        |
| R10      | 470Ω        |      | RC20BF471K       |                  |        |

FISHER

# PARTS LIST AND DESCRIPTIONS (Continued)

RESISTORS (cont.)

| ITEM No. | RATING |      | FISHER PART No. | NOTES  | ITEM No. | RATING |            | FISHER PART No. | NOTES |
|----------|--------|------|-----------------|--------|----------|--------|------------|-----------------|-------|
|          | OHMS   | WATT |                 |        |          | OHMS   | WATT       |                 |       |
| R1B      | 1000Ω  |      | RC20BF102K      |        | R52      | 2.2meg | RC20BF245K |                 |       |
| R19      | 22K    |      | RC20BF223K      |        | R53      | 120K   | RC20BF124K |                 |       |
| R20      | 470K   |      | RC20BF474K      |        | R54      | 220K   | RC20BF224K |                 |       |
| R21      | 330K   |      | RC20BF334K      |        | R55      | 1meg   | RC20BF105K |                 |       |
| R22      | 1000Ω  |      | RC20BF102K      |        | R56      | 3.3meg | RC20BF335K |                 |       |
| R23      | 100Ω   |      | RC20BF101K      | Note 2 | R57      | 100K   | RC20BF104K |                 |       |
| R24      | 100K   |      | RC20BF104K      |        | R58      | 1500Ω  | RC20BF152K |                 |       |
| R25      | 47K    |      | RC20BF473K      |        | R59      | 47K    | RC20BF473K |                 |       |
| R26      | 1.8meg |      | RC20BF185K      |        | R60      | 47K    | RC20BF473K |                 |       |
| R27      | 330K   |      | RC20BF334K      |        | R61      | 68K    | RC20BF683K |                 |       |
| R28      | 1000Ω  |      | RC20BF102K      |        | R62      | 47K    | RC20BF473K |                 |       |
| R29      | 68K    |      | RC20BF680K      |        | R63      | 47K    | RC20BF473K |                 |       |
| R30      | 6800Ω  |      | RC20BF682K      | Note 1 | R64      | 68K    | RC20BF683K |                 |       |
| R31      | 2200Ω  |      | RC20BF222K      | Note 3 | R65      | 100K   | RC20BF104K |                 |       |
| R32      | 3900Ω  |      | RC20BF392K      | Note 1 | R66      | 2700Ω  | RC20BF272K |                 |       |
| R33      | 39K    |      | RC20BF393K      | Note 1 | R67      | 220K   | RC20BF224K |                 |       |
| R34      | 68Ω    |      | RC20BF680K      |        | R68      | 1000Ω  | RC20BF102K |                 |       |
| R35      | 270Ω   |      | RC20BF271K      |        | R69      | 6800Ω  | RC20BF681K |                 |       |
| R36      | 68K    |      | RC20BF683K      |        | R70      | 6800Ω  | RC20BF682K |                 |       |
| R37      | 15000Ω |      | RC20BF152K      |        | R71      | 1.2meg | RC20BF125K |                 |       |
| R38      | 6800Ω  |      | RC20BF682K      |        | R72      | 47K    | RC20BF473K |                 |       |
| R39      | 220K   |      | RC20BF224K      | Note 4 | R73      | 2700Ω  | RC20BF272K |                 |       |
| R40      | 150K   |      | RC20BF154K      | Note 5 | R74      | 47K    | RC20BF473K |                 |       |
| R41      | 1000Ω  |      | RC20BF102K      |        | R75      | 470K   | RC20BF474K |                 |       |
| R42      | 6800Ω  |      | RC20BF682K      |        | R76      | 33K    | RC20BF333K | Note 5          |       |
| R43      | 47K    |      | RC20BF473K      |        | R77      | 68Ω    | RC20BF680K | Note 7          |       |
| R44      | 330K   |      | RC20BF334K      |        | R78      | 470K   | RC20BF474K | Note 5          |       |
| R45      | 220K   |      | RC20BF224K      |        | R79      | 68Ω    | RC20BF680K | Note 5          |       |
| R46      | 2700Ω  |      | RC20BF272K      |        | R80      | 2700Ω  | RC20BF272K | Note 8          |       |
| R47      | 2.2meg |      | RC20BF225K      |        | R81      | 2700Ω  | RC20BF271K | Note 1          |       |
| R48      | 220K   |      | RC20BF224K      |        | R82      | 500Ω   | R-592-168  | Note 9          |       |
| R49      | 330K   |      | RC20BF334K      |        | R83      | 100K   | RC20BF101K | Note 9          |       |
| R50      | 2200Ω  |      | RC20BF222K      | Note 6 | R84      | 10K    | RC20BF103K | Note 10         |       |
| R51      | 3.3meg |      | RC20BF335K      |        |          |        |            |                 |       |

Note 1. Not used in some versions.  
 Note 2. Some versions may use 68Ω in this application (Part #RC20BF680K).  
 Note 3. Some versions may use 1200Ω in this application (Part #RC20BF122K).  
 Note 4. Some versions may use 100K in this application (Part #RC20BF102K).  
 Note 5. Some versions may use 330K in this application (Part #RC20BF334K).  
 Note 6. Some versions may use 2700Ω in this application (Part #RC20BF272K).  
 Note 7. Some versions may use 68K in this application (Part #RC20BF683K).  
 Note 8. Some versions may use 800Ω 5W in this application (Part #R-592-182).  
 Note 9. Some versions may use 47Ω 2W in this application (Part #RC40BF470K).  
 Note 10. Some versions may use 920Ω 5W in this application (Part #R-592-187).

## TRANSFORMER (POWER)

| ITEM No. | RATING      |                            | REPLACEMENT DATA |                    |                  |              |
|----------|-------------|----------------------------|------------------|--------------------|------------------|--------------|
|          | PRI.        | SEC. 1                     | FISHER PART No.  | Hallidson PART No. | REPLACEMENT DATA |              |
|          |             |                            |                  |                    | Merit PART No.   | Rem PART No. |
| T1       | 117V @1.4A  | 780VCT 5V @.140A @.2A tap③ | T-592-125-1      |                    |                  |              |
|          | SEC. 3 6.3V | ④.070A                     |                  |                    |                  |              |
|          |             | ④.6.2A                     |                  |                    |                  |              |

## TRANSFORMER (AUDIO OUTPUT)

| ITEM No. | IMPEDANCE |                 | REPLACEMENT DATA |                    |                  |              | NOTES                  |
|----------|-----------|-----------------|------------------|--------------------|------------------|--------------|------------------------|
|          | PRI.      | SEC.            | FISHER PART No.  | Hallidson PART No. | REPLACEMENT DATA |              |                        |
|          |           |                 |                  |                    | Merit PART No.   | Rem PART No. |                        |
| T2       | 4300Ω CT  | 160tap @.80, 4Ω | T-593-117        |                    |                  | 22578 ①      | ① Use original shields |

# PARTS LIST AND DESCRIPTIONS (Continued)

COILS (RF-IF)

| ITEM No. | USE            | REPLACEMENT DATA |                   |                |                 | NOTES  |
|----------|----------------|------------------|-------------------|----------------|-----------------|--|
|          |                | FISHER PART No.  | Meissner PART No. | Merit PART No. | Miller PART No. |  |
| L1       | FM Ant. Trans. | L-592-135        | 19-1002           | BC-563         | 4806            | 2 Microhenries<br>3.4 Microhenries   |
| L2       | RF Choke       | L-530-178        | 19-1003           | BC-564         | 4808            |  |
| L3       | RF Choke       | L-592-137        |                   |                |                 | 2.2 Microhenries,<br>IRC Part #CLA   |
| L4       | FM RF Coil     | L-592-136        |                   |                |                 |  |
| L5       | FM Osc. Coil   |                  |                   |                |                 | * Disregard primary  |
| L6       | Cathode Choke  |                  |                   |                |                 |  |
| L7       | Loop Stick     | L-592-134        |                   |                |                 | 1.2 Microhenries<br>1.2 Microhenries<br>1.2 Microhenries<br>2.5 Microhenries<br>2.5 Microhenries |
| L8       | AM RF Trans.   | L-592-125        |                   |                |                 |  |
| L9       | AM Osc. Coil   | L-530-122        |                   |                |                 |  |
| L10      | 1st. FM IF     | ZZ-2987          | 16-3487           | FM-254         | 70-OS-C*        |  |
| L11      | 1st. AM IF     | ZZ-2985          | 16-6758           | BC-352         | I2-C1           |  |
| L12      | 2nd. FM IF     | ZZ-509-130       | 16-3487           | FM-254         | I2-C1           |  |
| L13      | 2nd. AM IF     | ZZ-2984          | 16-6758           | BC-353         | I2-C2           |  |
| L14      | 3rd. FM IF     | ZZ-509-130       | 16-3487           | FM-254         | I4-C2           |  |
| L15      | Ratio Det.     | ZZ-592-170       |                   |                |                 |  |
| L16      | FIL. Choke     | L-520-156        | 19-1000           | BC-561         | 4802            |  |
| L17      | FIL. Choke     | L-520-156        | 19-1000           | BC-561         | 4802            |  |
| L18      | FIL. Choke     | L-520-156        | 19-1000           | BC-561         | 4802            |  |
| L19A     | FIL. Choke     | L-509-140        | 19-1002           | BC-563         | 4806            |  |
| B        | FIL. Choke     |                  | 19-1002           | BC-563         | 4806            |  |

## COMPONENT COMBINATIONS

| ITEM No. | USE               | DESCRIPTION | FISHER PART No. | REPLACEMENT DATA |
|----------|-------------------|-------------|-----------------|------------------|
| K1       | Tone Compensation |             | PC-552-105      |                  |

## FUSES

| ITEM No. | TYPE | RATING  | REPLACEMENT DATA |        |         |               |
|----------|------|---------|------------------|--------|---------|---------------|
|          |      |         | FISHER PART No.  | Holder | FUSE    | BUSS PART No. |
| M1       | 3AG  | 3A 125V | F-592-171        |        | 313003. | MDL3          |

## CRYSTAL DIODES

| ITEM No. | ORIG. TYPE | REPLACEMENT DATA |                   | NOTES                    |
|----------|------------|------------------|-------------------|--------------------------|
|          |            | FISHER PART No.  | Sylvania PART No. |                          |
| M2       | 1N541      | 1N35             | 1N60              | Ratio Detector (Clip-in) |
| M3       | 1N541      | 1N35             | 1N60              | Ratio Detector (Clip-in) |

## MISCELLANEOUS

| ITEM No. | PART NAME   | FISHER PART No. | REPLACEMENT DATA |                   | NOTES   |
|----------|-------------|-----------------|------------------|-------------------|---|
|          |             |                 | FISHER PART No.  | Sylvania PART No. |   |
| M4       | Dial Lamp   | L-563-145       |                  |                   | FM-AM, 6 Gang (AM Sections: 33-465mmf, RF 12-385mmf, Osc. 17-170mmf)<br>Channel Selector (Rotary, water type)<br>Power, On-Off, SPST Tuning |
| M5       | Dial Lamp   | L-563-145       |                  |                   |   |
| M6       | Lamp        | L-588-120       |                  | AM                |   |
| M7       | Lamp        | L-588-120       |                  | FM                |   |
| M8       | Lamp        | L-588-120       |                  | Phono             |   |
| M9       | Lamp        | L-588-120       |                  | Tape              |   |
| M10      | Lamp        | L-588-120       |                  | Aux 1             |   |
| M11      | Lamp        | L-588-120       |                  | Aux 2             |   |
| M12      | Tuning Cap. | C-592-116       |                  |                   |   |
| M13      | Switch      | S-592-127       |                  |                   |   |
| M14      | Switch      | S-592-149       |                  |                   |   |
| M15      | Meter       | M-551-134       |                  |                   |   |

## WIRING DATA

General-use Unshielded Hook-up Wire ..... Use BELDEN No. 8530 (Solid) Available in Ten Colors  
 8524 (Stranded) Available in Ten Colors  
 Power Cord ..... Use BELDEN No. 1765-B (6 Ft. Length)  
 1795-K (7½ Ft. Length)