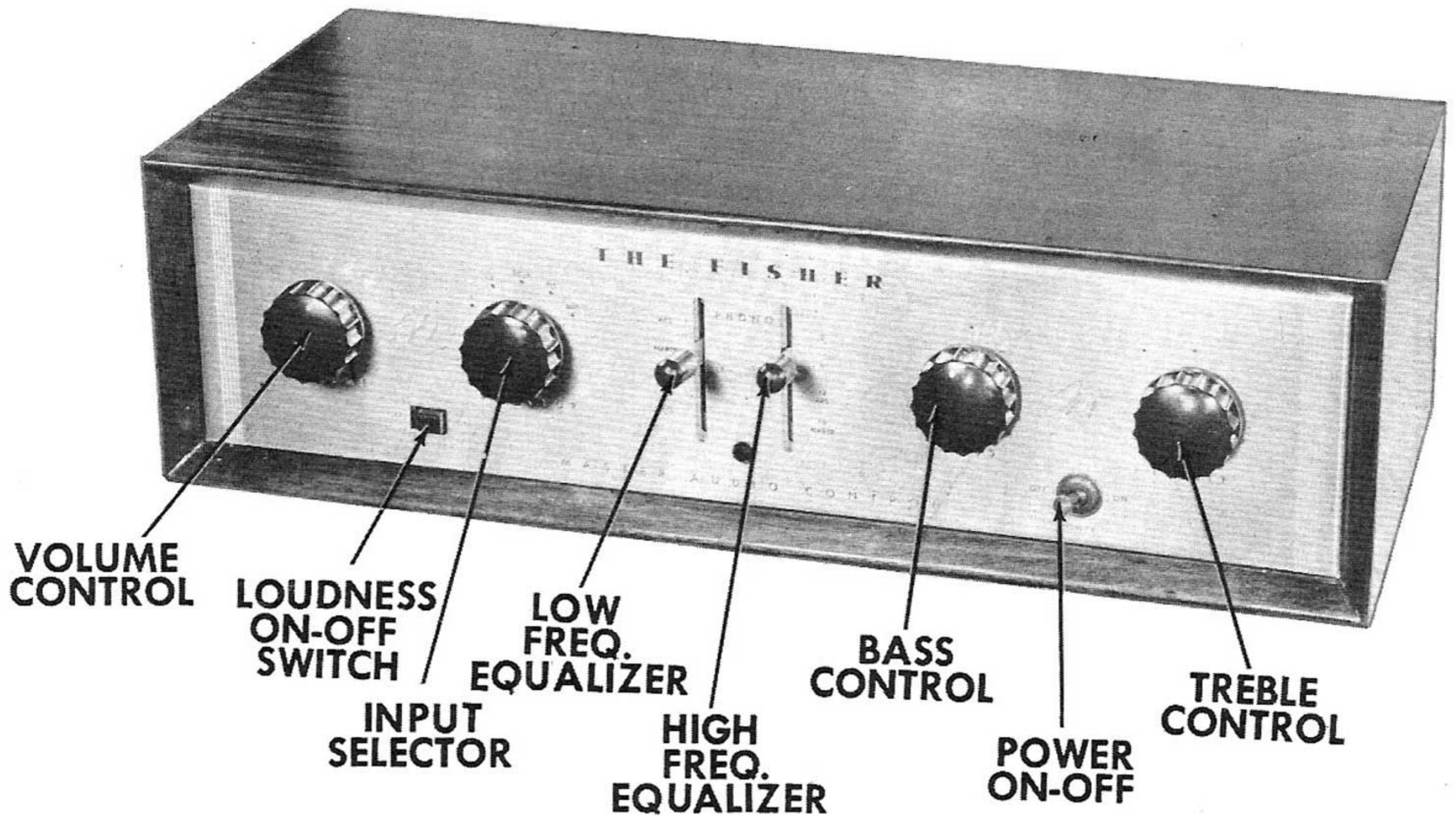


**FISHER
MODELS 50-C, -CH**



TRADE NAME	Fisher Model 50-C, 50-CH	
MANUFACTURER	Fisher Radio Corp., 41 E. 47th. St., New York, N.Y.	
TYPE SET	AC Operated 5 Channel Audio Pre-Amplifier	
TUBES (Three)	Types 12AU7 AF Amp., 12AX7 AF Amp., 12AX7 AF Amp.	
POWER SUPPLY	110-120 Volts AC-50/60 Cycle	RATING .15 Amp @ 117 Volts AC

PARTS LIST AND DESCRIPTIONS

TUBES (SYLVANIA or Equivalent)

ITEM No.	USE	REPLACEMENT DATA		RTMA BASE TYPE	INSTALLATION NOTES
		FISHER PART No.	STANDARD REPLACEMENT		
V1	AF Amplifier	12AU7	12AU7	9A	
V2	AF Amplifier	12AX7	12AX7	9A	
V3	AF Amplifier	12AX7	12AX7	9A	

CAPACITORS

Capacity values given in the rating column are in mfd. for Electrolytic and Paper Capacitors, and in mmfd. for Mica and Ceramic Capacitors.

ITEM No.	RATING		REPLACEMENT DATA						NOTE	
	CAP.	VOLT	FISHER PART No.	AEROVOX PART No.	CENTRALAB PART No.	CORNELL-DUBILIER PART No.	ERIE PART No.	MALLORY PART No.		SPRAGUE PART No.
C1A	▲40	300	C-505-120			DO92			R1327	
B	■40	300								
C	▲40	300								
D	40	300								
C2A	▲500	25	C-505-121						R1076	
B	▲500	25								
C3	25	25		PRS25/25			BR252A	TC26	TVA-1205	Note 1
C4	.022	400	C-2946	P488-022			PTE4S22	PT4122	4TM-S22	
C5	.022	400	C-2946	P488-022			PTE4S22	PT4122	4TM-S22	
C6	5		C-1779	SI5	TCZ-4.7		5W5V5	GP1K-050	ZT-555	5GA-V5
C7	.1	400	C-3156	P488-1	DF-104		PTE4P1		PT401	4TM-P1
C8	.01	400	C-3302							
C9	1500			SI1500	D6-152		TM5D15	GP2L-152	UC-5215	5HK-D15
C10	.0082	400	C-3303							Note 1
C11	.0047	400	C-3304							
C12	.1	400	C-3156	P488-1	DF-104		PTE4P1		PT401	4TM-P1
C13	420		C-3308							
C14	800		C-3309							
C15	1300		C-3307							
C16	.01	400	C-3155	P488-01	D6-103		PTE4S1	GP2-333-103	PT411	4TM-S1
C17	.1	400	C-3156	P488-1	DF-104		PTE4P1		PT401	4TM-P1
C18	82		C-3310							
C19	.027	400	C-3294							
C20	.022	400	C-2946	P488-022					PT4122	4TM-S22
C21	1500			SI1500	D6-152		TM5D15	GP2L-152	UC-5215	5HK-D15
C22	1500			SI1500	D6-152		TM5D15	GP2L-152	UC-5215	5HK-D15
C23	220		C-3306	SI220	D6-221		5W5T25	GP2K-221	UC-5322	5GA-T22
C24	.0022	400	C-3301	P688-0022	D6-222		PTE6D22	GP2-333-222	PT6222	6TM-D22
C25	.047	400	C-2944	P488-047	DF-503		PTE4S47		PT4147	4TM-S47
C26	.0022	400	C-3301	P688-0022	D6-222		PTE6D22	GP2-333-222	PT6222	6TM-D22
C27	.022	400	C-2946	P488-022			PTE4S22		PT4122	4TM-S22
C28	.047	400	C-2944	P488-047	DF-503		PTE4S47		PT4147	4TM-S47
C29	.01	400	C-3155	P488-01	D6-103		PTE4S1	GP2-333-103	PT411	4TM-S1
C30	.1	400	C-3156	P488-1	DF-104		PTE4P1		PT401	4TM-P1

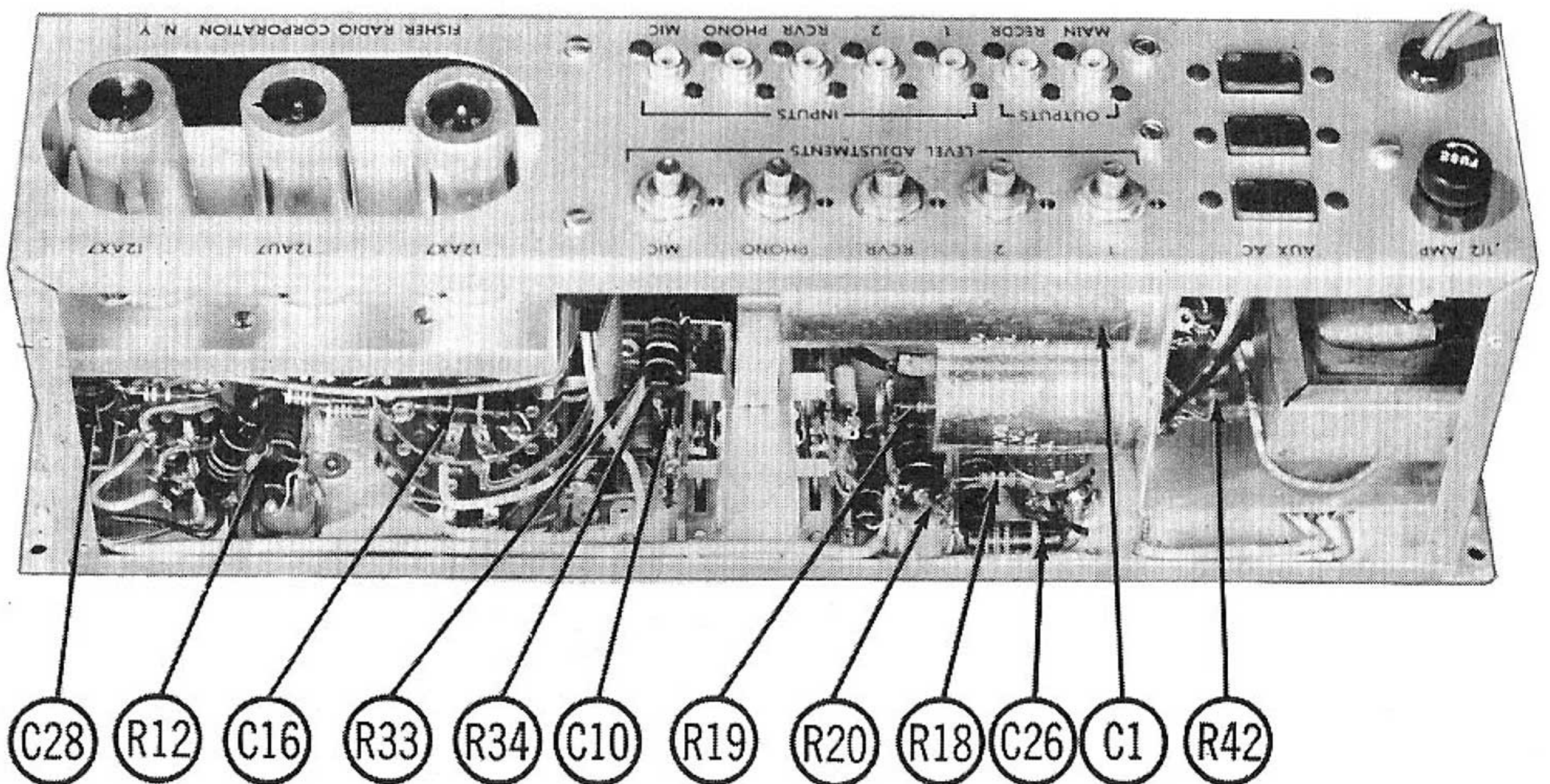
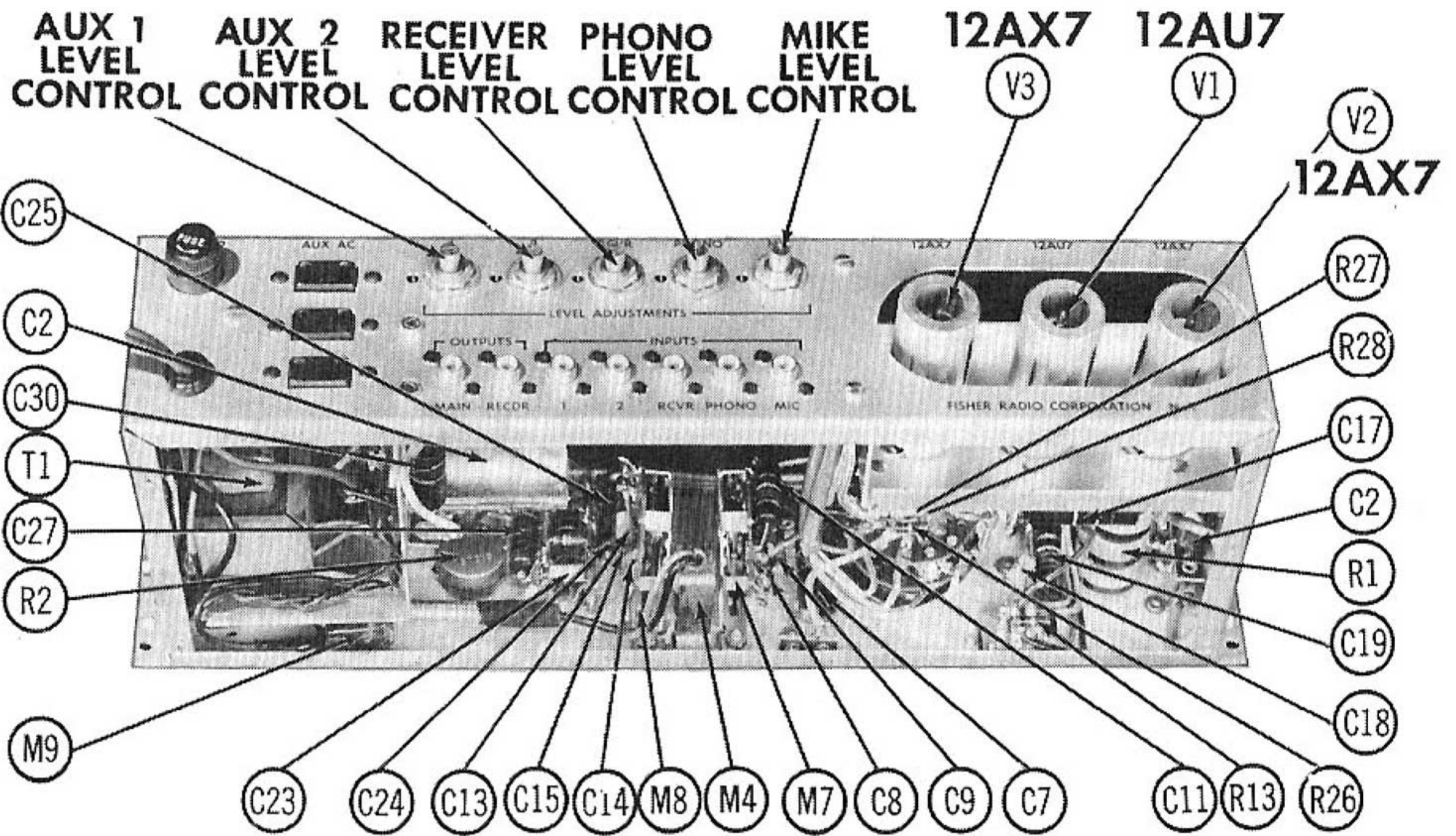
Note 1. Not used in all Models.

Note 2. When C21 is .0039MFD (part #C-3300), C22 is not used.

CONTROLS

ITEM No.	RATING		REPLACEMENT DATA					INSTALLATION NOTES
	RESISTANCE	WATTS	FISHER PART No.	IRC PART No.	CLAROSTAT PART No.	CENTRALAB PART No.	MALLORY PART No.	
R1A	500KΩ	1/2	R-505-122					} Loudness
B	1 Meg							
C	100KΩ							
R2A	1 Meg	1/2	R-2815-10	Q13-137	AG-63-Z	B-70	U-53	Bass
B	Shaft		Not Req.	Not Req.	FS-3	Not Req.	Not Req.	Attach to R2A
R3A	1 Meg	1/2	R-2815-10	Q13-137	AG-63-Z	B-70	U-53	Treble
B	Shaft		Not Req.	Not Req.	FS-3	Not Req.	Not Req.	Attach to R3A
R4A	500KΩ	1/2	R-2815-9	Q11-133	AG-58-S	AB-59	SU-50	Auxiliary Volume #1
B	Shaft		Not Req.	Not Req.	FKS-1/4	AK-1	Not Req.	Attach to R4A
R5A	500KΩ	1/2	R-2815-9	Q11-133	AG-58-S	AB-59	SU-50	Auxiliary Volume #2
B	Shaft		Not Req.	Not Req.	FKS-1/4	AK-1	Not Req.	Attach to R5A
R6A	500KΩ	1/2	R-2815-9	Q11-133	AG-58-S	AB-59	SU-50	RCVR Volume
B	Shaft		Not Req.	Not Req.	FKS-1/4	AK-1	Not Req.	Attach to R6A
R7A	500KΩ	1/2	R-2815-9	Q11-133	AG-58-S	AB-59	SU-50	Phono Volume
B	Shaft		Not Req.	Not Req.	FKS-1/4	AK-1	Not Req.	Attach to R7A
R8A	500KΩ	1/2	R-2815-9	Q11-133	AG-58-S	AB-59	SU-50	Mike Volume
B	Shaft		Not Req.	Not Req.	FKS-1/4	AK-1	Not Req.	Attach to R8A

CHASSIS—TOP VIEW



PARTS LIST AND DESCRIPTIONS (Continued)

RESISTORS

ITEM No.	RATING		REPLACEMENT DATA		NOTES	ITEM No.	RATING		REPLACEMENT DATA		NOTES
	OHMS	WATT	FISHER PART No.	IRC PART No.			OHMS	WATT	FISHER PART No.	IRC PART No.	
R9	1 Meg	1/2W	R-1732	BTS-1 Meg	Note 1	R26	2.2Meg	1/2W	R-1734	BTS-2.2Meg	Note 2
R10	2200Ω		R-1737	BTS-2200		R27	2.2Meg		R-1734	BTS-2.2Meg	
R11	47KΩ		R-1580	BTS-47K		R28	1500Ω		R-1741	BTS-1500	
R12	10KΩ		R-1531	BTS-10K		R29	100KΩ		R-1583	BTS-100K	
R13	1 Meg		R-1732	BTS-1 Meg		R30	2.2Meg		R-1734	BTS-2.2Meg	
R14	1 Meg		R-1732	BTS-1 Meg		R31	1 Meg		R-1732	BTS-1 Meg	
R15	1500Ω		R-1741	BTS-1500		R32	39KΩ		R-1938	BTS-39K	
R16	3300Ω		R-1837	BTS-3300		R33	18Meg		R-3009	BTS-18Meg	
R17	39KΩ		R-1938	BTS-39K		R34	220KΩ		R-1624	BTS-220K	
R18	47KΩ		R-1580	BTS-47K		R35	1500Ω		R-1741	BTS-1500	
R19	10KΩ		R-1531	BTS-10K		R36	100KΩ		R-1583	BTS-100K	
R20	100KΩ		R-1583	BTS-100K		R37	47KΩ		R-1580	BTS-47K	
R21	3300Ω		R-1837	BTS-3300		R38	47Ω		R-1580		
R22	220KΩ		R-1624	BTS-220K		R39	3300Ω		R-1837	BTS-3300	
R23	1 Meg		R-1732	BTS-1 Meg		R40	3300Ω		R-1837	BTS-3300	
R24	2200Ω		R-1737	BTS-2200		R41	10KΩ		R-1531	BTS-10K	
R25	47KΩ		R-1580	BTS-47K		R42	15Ω				

Note 1. Not used in all models.

Note 2. Some models use a 47KΩ resistor in this application.

Note 3. Some models use a 10Ω resistor in this application.

TRANSFORMER (POWER)

ITEM No.	RATING				REPLACEMENT DATA				
	PRI.	SEC. 1	SEC. 2	SEC. 3	FISHER PART No.	STANCOR PART No.	MERIT PART No.	CHICAGO PART No.	TRIAD PART No.
T1	117VAC @ .15A	394VCT .007ADC	22V - .45A tap @ 5.4V - .13 A		T-505-115				

SELENIUM RECTIFIER

ITEM No.	RATING	REPLACEMENT DATA					
	CURRENT	FISHER PART No.	SYLVANIA PART No.	SELETRON PART No.	FEDERAL PART No.	MALLORY PART No.	SARKES TARZIAN PART No.
M1	.007ADC	SR-3283					
M2	.280ADC	SR-3078			10J6		126-15C1-Q 304B

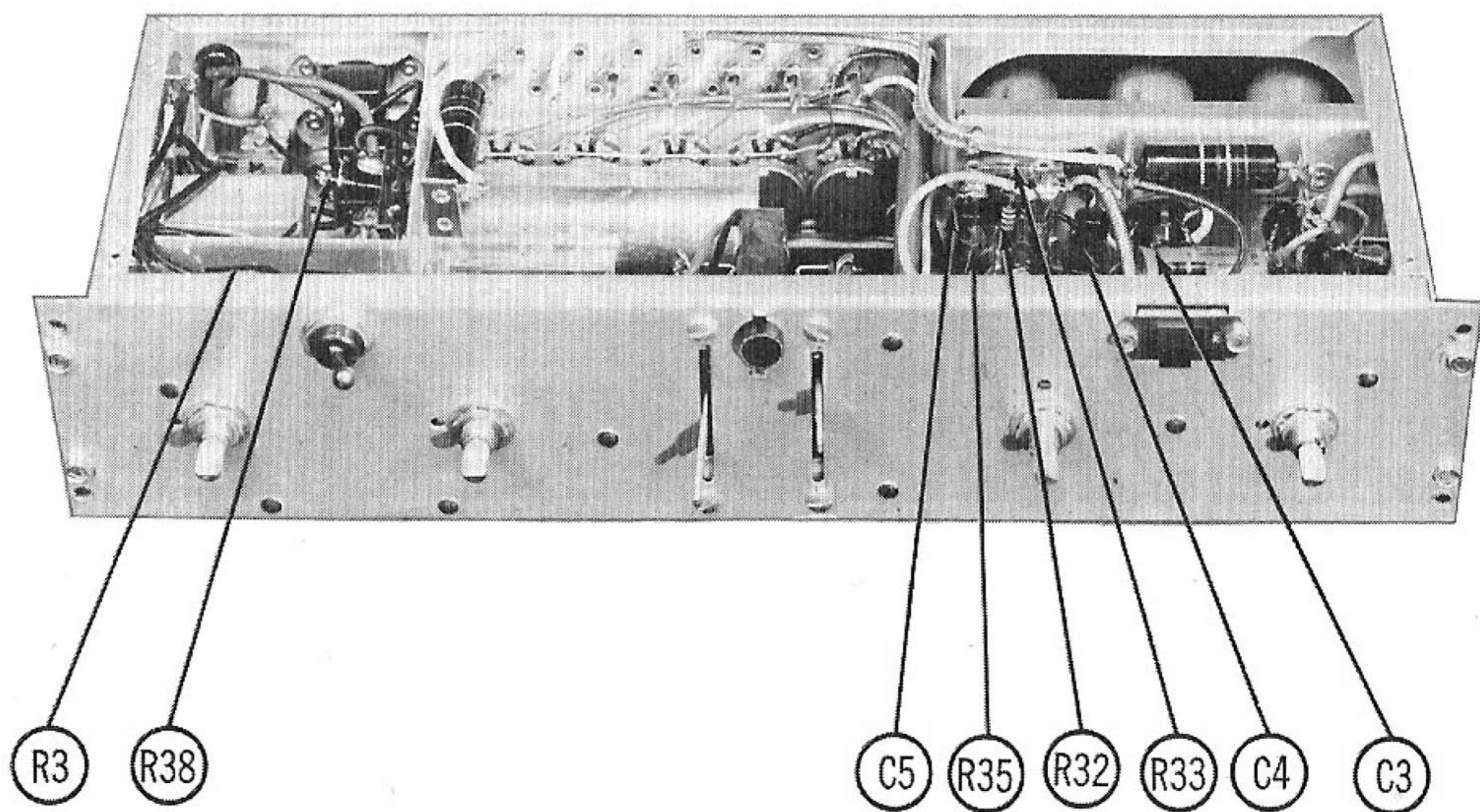
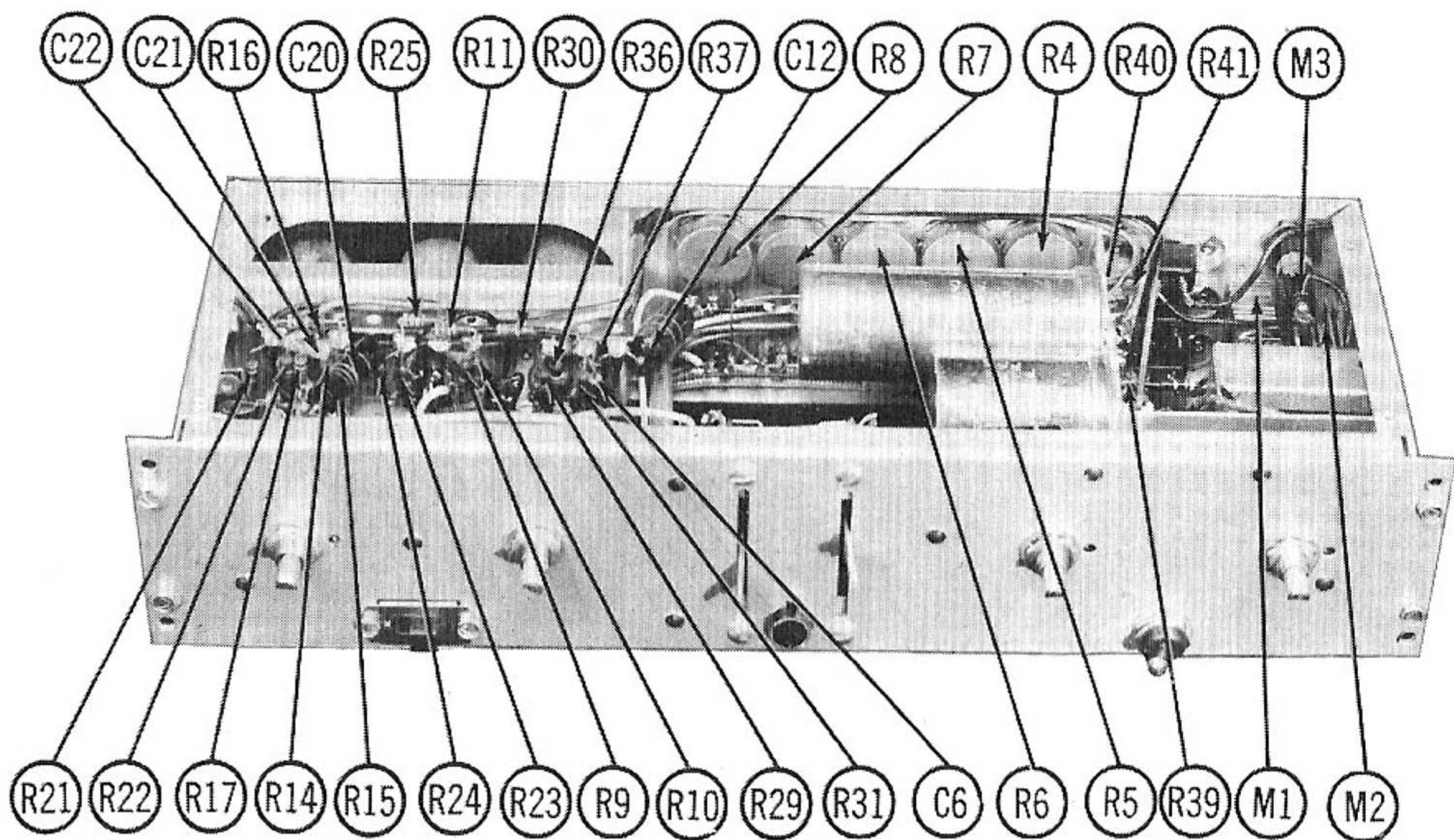
FUSES

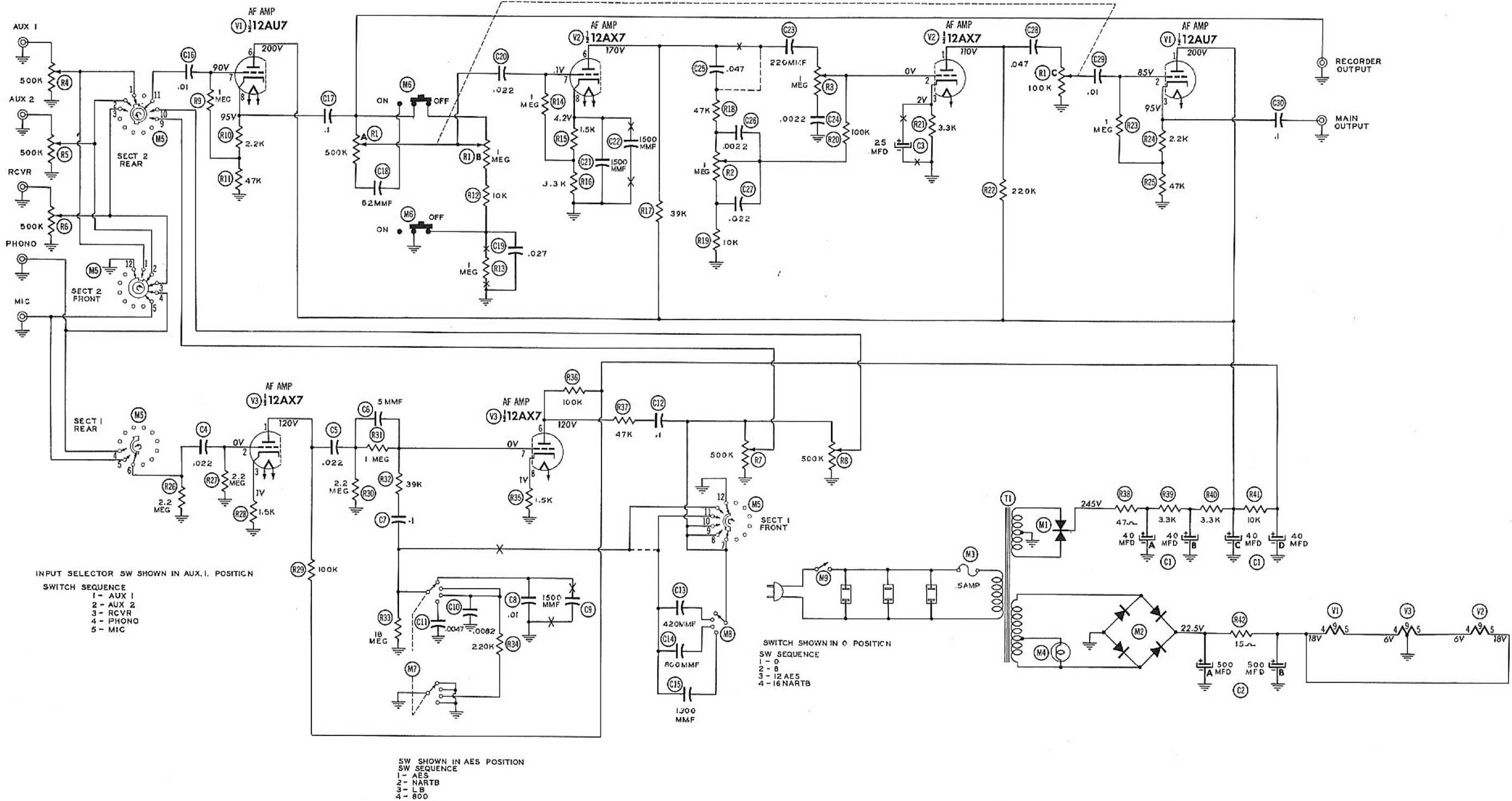
ITEM No.	TYPE	RATING	REPLACEMENT DATA					
			FISHER PART No.		LITTELFUSE PART No.		BUSS PART No.	
			FUSE	HOLDER	FUSE	HOLDER	FUSE	HOLDER
M3	3AG	1/2A-250V	F-3297		312.500 (3AG-1/2A)	342001	AGC-1/2	HKP

MISCELLANEOUS

ITEM No.	PART NAME	FISHER PART No.	NOTES	
M4	Panel Light	I-2148	Type #47	
M5	Switch	S-505-123	Input Selector (Rotary)	
M6	Switch	S-505-117	Loudness Compensation "Off/On" (DPDT Slide)	
M7	Switch	} S-3284	Low Frequency Equalization (4 position lever)	
M8	Switch		High Frequency Equalization (4 position lever)	
M9	Switch		S-505-126	A C Off/On (SPST Toggle)

CHASSIS—BOTTOM VIEW





RESISTANCE READINGS

Item	Tube	Pin 1	Pin 2	Pin 3	Pin 4	Pin 5	Pin 6	Pin 7	Pin 8	Pin 9
V 1	12AU7	†6.6KΩ	1 Meg	50KΩ	9.5Ω	5Ω	†6.6KΩ	1 Meg	50KΩ	7Ω
V 2	12AX7	†225KΩ	110KΩ	3.3KΩ	5Ω	9.5Ω	†45KΩ	1 Meg	4.8KΩ	7Ω
V 3	12AX7	†115KΩ	2.2Meg	1.5KΩ	5Ω	5Ω	†115KΩ	3.2Meg	1.5KΩ	0Ω

† MEASURED FROM OUTPUT OF M1.
 MEASUREMENTS TAKEN WITH BASS CONTROL OF EXTREME ATTENUATION (C-CW).

1. DC Voltage measurements are at 20,000 ohms per volt; AC Voltages measured at 1,000 ohms per volt.
2. Socket connections are shown as bottom views.
3. Measured values are from socket pin to common negative.
4. Line voltage maintained at 117 volts for voltage readings.
5. Nominal tolerance on component values makes possible a variation of + 10% in voltage and resistance readings.
6. Volume control at maximum, no signal applied for voltage measurements.