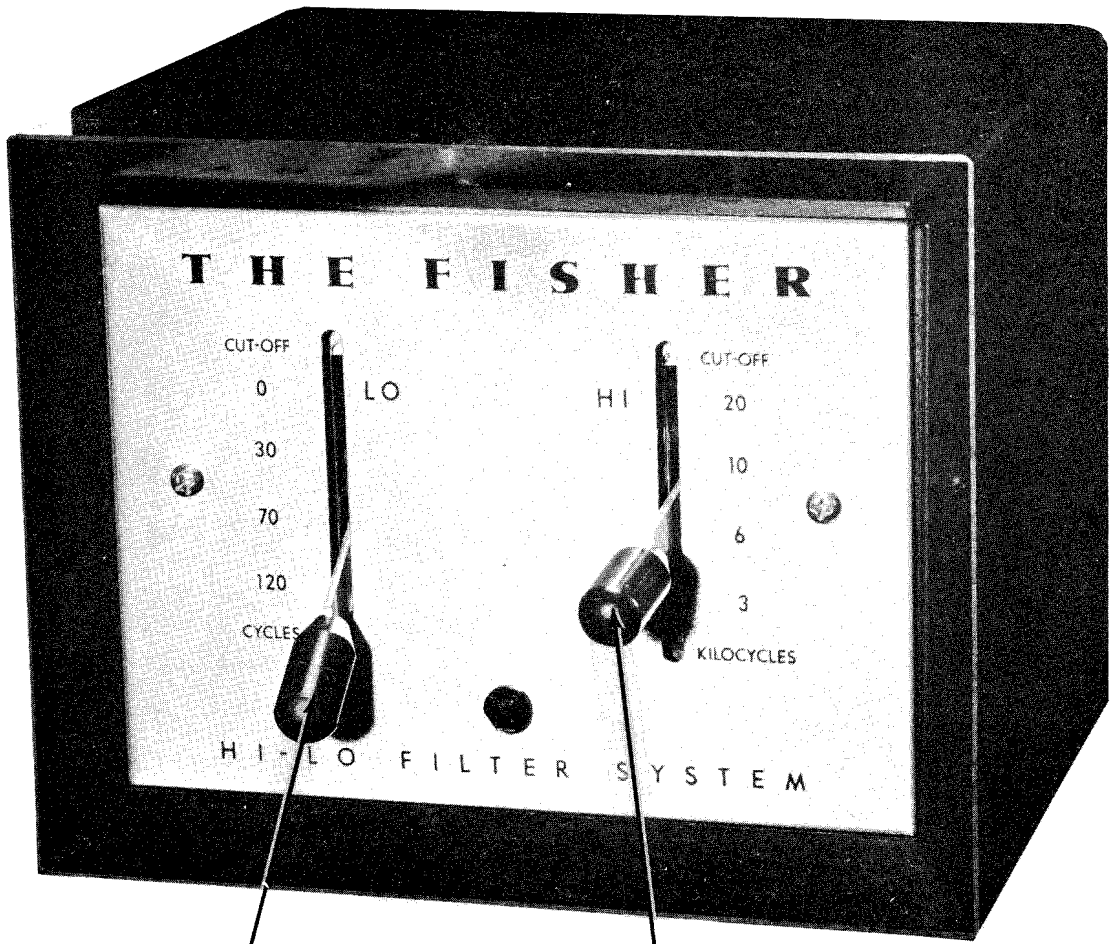




FISHER  
MODEL 50-F



**LO  
FREQ.  
SWITCH**

**HI  
FREQ.  
SWITCH**

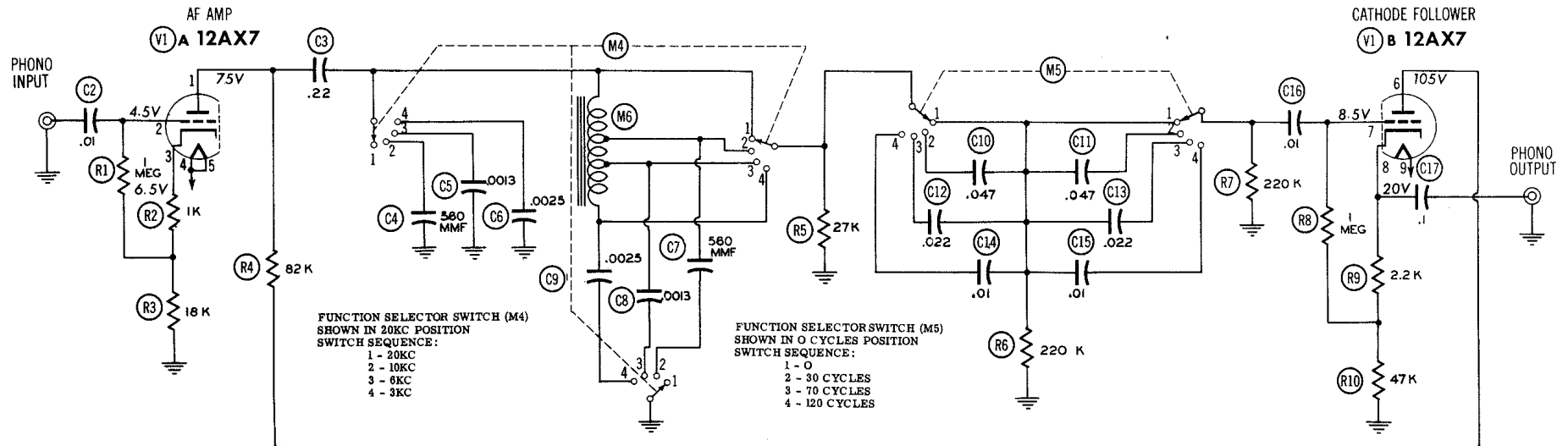
FISHER  
MODEL 50-F

|              |   |        |                         |
|--------------|---|--------|-------------------------|
| TRADE NAME   | Fisher Model 50-F   |        |                         |
| MANUFACTURER | Fisher Radio Corp., 21-21 44th Drive, Long Island City 1, N. Y. |        |                         |
| TYPE SET     | AC Operated Hi-Lo Audio Filter System                           |        |                         |
| TUBES (ONE)  | Type 12AX7 AF Amp. -Cathode Follower                            |        |                         |
| POWER SUPPLY | 105-125 Volts AC-50/60 Cycles                                   | RATING | .05 Amp. @ 117 Volts AC |

**HOWARD W. SAMS & CO., INC. • Indianapolis 5, Indiana**

"The listing of any available replacement part herein does not constitute in any case a recommendation, warranty or guaranty by Howard W. Sams & Co., Inc., as to the quality and suitability of such replacement part. The numbers of these parts have been compiled from information furnished to Howard W. Sams & Co., Inc., by the manufacturers of the particular type of replacement part listed."  
"Reproduction or use, without express permission, of editorial or pictorial con-

tent, in any manner, is prohibited. No patent liability is assumed with respect to the use of the information contained herein. Copyright 1955 by Howard W. Sams & Co., Inc., Indianapolis 5, Indiana, U. S. of America. Copyright under International Copyright Union. All rights reserved under Inter-American Copyright Union (1910) by Howard W. Sams & Co., Inc." Printed in U. S. of America



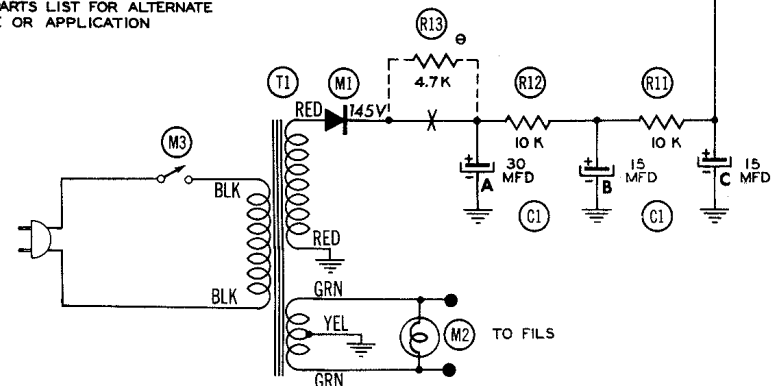
RESISTANCE READINGS

| Item | Tube  | Pin 1  | Pin 2 | Pin 3 | Pin 4 | Pin 5 | Pin 6 | Pin 7 | Pin 8 | Pin 9 |
|------|-------|--------|-------|-------|-------|-------|-------|-------|-------|-------|
| V 1  | 12AX7 | †107KΩ | 1Meg  | 19KΩ  | .1Ω   | .1Ω   | †25KΩ | 1 Meg | 50KΩ  | .1Ω   |

† MEASURED FROM OUTPUT OF M1.

- DC voltage measurements taken with vacuum tube voltmeter; AC voltages measured at 1000 ohms per volt.
- Socket connections are shown as bottom views.
- Measured values are from socket pin to common negative.
- Line voltage maintained at 117 volts for voltage readings.
- Nominal tolerance on component values makes possible a variation of ± 1% in voltage and resistance readings.

⊕ SEE PARTS LIST FOR ALTERNATE VALUE OR APPLICATION



# PARTS LIST AND DESCRIPTIONS

## TUBES (SYLVANIA, GENERAL ELECTRIC, WESTINGHOUSE)

FISHER  
MODEL 50-F

| ITEM No. | USE                   | REPLACEMENT DATA |                      |                 | NOTES |
|----------|-----------------------|------------------|----------------------|-----------------|-------|
|          |                       | FISHER PART No.  | STANDARD REPLACEMENT | RETMA BASE TYPE |       |
| V1       | AF Amp-Cathode Follow | 12AX7            | 12AX7                | 9A              |       |

### CAPACITORS

Capacity values given in the rating column are in mfd. for Electrolytic and Paper Capacitors, and in mmfd. for Mica and Ceramic Capacitors.

| ITEM No. | RATING |      | REPLACEMENT DATA |                  |                    |                           |               |                  | NOTES    |                  |
|----------|--------|------|------------------|------------------|--------------------|---------------------------|---------------|------------------|----------|------------------|
|          | CAP.   | VOLT | FISHER PART No.  | AEROVOX PART No. | CENTRALAB PART No. | CORNELL-DUBILIER PART No. | ERIE PART No. | MALLORY PART No. |          | SPRAGUE PART No. |
| C1A      | .30    | 150  | C-515-122        | AFH3-16          |                    | C007                      |               | FP311.4          | TUL-3534 |                  |
| B        | .15    | 150  |                  |                  |                    |                           |               |                  |          |                  |
| C        | .15    | 150  |                  |                  |                    |                           |               |                  |          |                  |
| C2       | .01    | 200  | C-68P103M2       | P288-01          | D6-103             | PJ2S1                     | GP2-333-103   | PT411            | 2TM-S1   |                  |
| C3       | .22    | 200  | C-68P224V2       |                  |                    |                           |               |                  |          |                  |
| C4       | 560    | 200  | C-3336           | SI560            | D6-561             |                           | GP2K-561      | UC-5356          | 5GA-T56  |                  |
| C5       | .0013  | 200  | C-68P132K2       |                  |                    |                           |               |                  |          |                  |
| C6       | .0025  | 200  | C68P252K2        |                  |                    |                           |               |                  |          |                  |
| C7       | 560    | 200  | C-3336           | SI560            | D6-561             |                           | GP2K-561      | UC-5356          | 5GA-T56  |                  |
| C8       | .0013  | 200  | C-68P132K2       |                  |                    |                           |               |                  |          |                  |
| C9       | .0025  | 200  | C-68P252K2       |                  |                    |                           |               |                  |          |                  |
| C10      | .047   | 200  | C-68P473K2       |                  |                    |                           |               |                  |          |                  |
| C11      | .047   | 200  | C-68P473K2       |                  |                    |                           |               |                  |          |                  |
| C12      | .022   | 200  | C-68P223K2       |                  |                    |                           |               |                  |          |                  |
| C13      | .022   | 200  | C-68P223K2       |                  |                    |                           |               |                  |          |                  |
| C14      | .01    | 200  | C-68P103K2       |                  |                    |                           |               |                  |          |                  |
| C15      | .01    | 200  | C-68P103K2       |                  |                    |                           |               |                  |          |                  |
| C16      | .01    | 200  | C-68P103M2       | P288-01          | D6-403             | PJ2S1                     | GP2-333-103   | PT411            | 2TM-S1   |                  |
| C17      | .1     | 200  | C-68P104M2       | P288-1           | DF-104             | PJ2P1                     |               | PT401            | 2TM-P1   |                  |

### RESISTORS

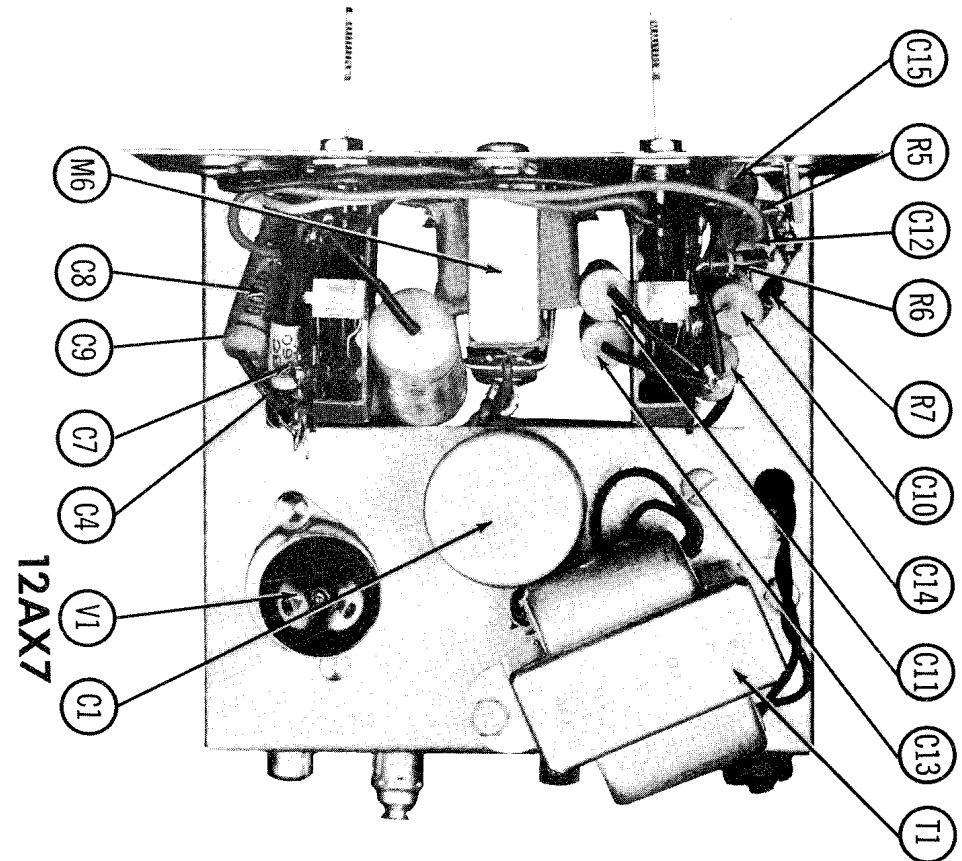
| ITEM No. | RATING |      | REPLACEMENT DATA |              | NOTES | ITEM No. | RATING |      | REPLACEMENT DATA |              | NOTES  |
|----------|--------|------|------------------|--------------|-------|----------|--------|------|------------------|--------------|--------|
|          | OHMS   | WATT | FISHER PART No.  | IRC PART No. |       |          | OHMS   | WATT | FISHER PART No.  | IRC PART No. |        |
| R1       | 1Meg   |      | RC-20BF105K      | BTS-1Meg     |       | R7       | 220KΩ  |      | RC-20BF224K      | BTS-220K     |        |
| R2       | 1000Ω  |      | RC-20BF102K      | BTS-1000     |       | R8       | 1Meg   |      | RC-20BF105K      | BTS-1Meg     |        |
| R3       | 18KΩ   |      | RC-20BF183K      | BTS-18K      |       | R9       | 2200Ω  |      | RC-20BF222K      | BTS-2200     |        |
| R4       | 82KΩ   |      | RC-20BF823K      | BTS-82K      |       | R10      | 47KΩ   |      | RC-20BF473K      | BTS-47K      |        |
| R5       | 27KΩ   |      | RC-20BF273K      | BTS-27K      |       | R11      | 10KΩ   |      | RC-20BF103K      | BTS-10K      |        |
| R6       | 220KΩ  |      | RC-20BF224K      | BTS-220K     |       | R12      | 10KΩ   |      | RC-20BF103K      | BTS-10K      |        |
|          |        |      |                  |              |       | R13      | 4700Ω  |      | RC-20BF472K      | BTS-2700     | Note 1 |

Note 1: Not used in all models.

### TRANSFORMER (POWER)

| ITEM No. | RATING        |                |               |        | REPLACEMENT DATA |                  |                |                |                     |                     |
|----------|---------------|----------------|---------------|--------|------------------|------------------|----------------|----------------|---------------------|---------------------|
|          | PRI.          | SEC. 1         | SEC. 2        | SEC. 3 | FISHER PART No.  | Stancor PART No. | Merit PART No. | Triad PART No. | Halldorson PART No. | Thordarson PART No. |
|          |               |                |               |        |                  |                  |                |                |                     |                     |
| T1       | 117VAC @ .05A | 115VAC .005ADC | 6.3VCT @ .49A |        | 515-118          | PS-8415          |                |                |                     |                     |

### CHASSIS—TOP VIEW



# PARTS LIST AND DESCRIPTIONS (Continued)

## SELENIUM RECTIFIER

| ITEM No. | REPLACEMENT DATA |                 |                  |                        |                  |                         |                   | NOTES |
|----------|------------------|-----------------|------------------|------------------------|------------------|-------------------------|-------------------|-------|
|          | RATING CURRENT   | FISHER PART No. | FEDERAL PART No. | INTERNATIONAL PART No. | MALLORY PART No. | SARKES TARZIAN PART No. | SELETRON PART No. |       |
| M1       | .005             | SR-50011-1      | 1159             | CR-20                  | 8S20             | 10                      | 8Y1               |       |

## MISCELLANEOUS

| ITEM No. | PART NAME  | FISHER PART No. | NOTES          |
|----------|------------|-----------------|----------------|
| M2       | Dial Light | I-50009-2       | #51 - Bayonet  |
| M3       | Switch     | S-515-119       | On-Off         |
| M4       | Switch     | S-515-117       | High Frequency |
| M5       | Switch     | S-50005         | Low Frequency  |
| M6       | Tone Choke | L-515-115-3     |                |

# CHASSIS—BOTTOM VIEW

