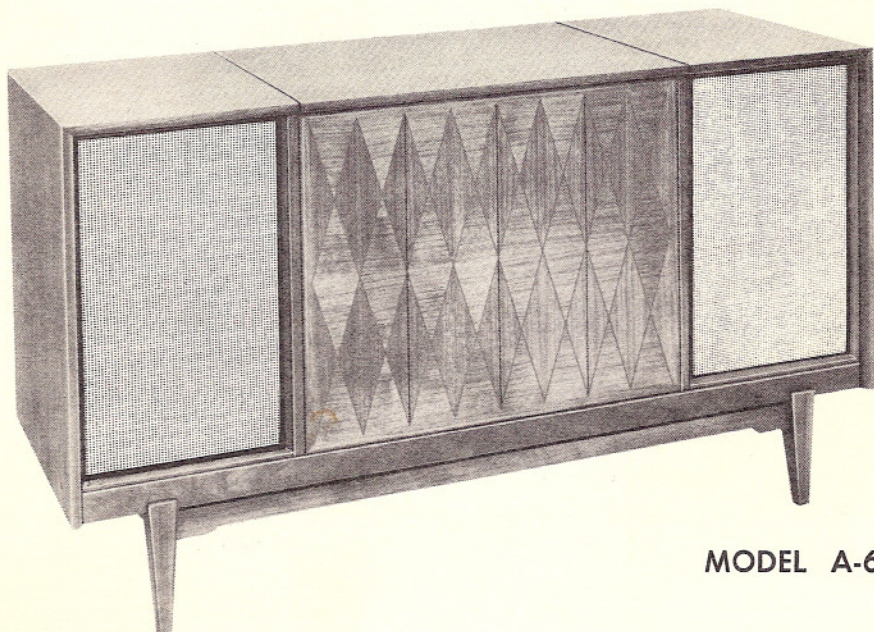




Stereophonic

**THE FISHER
AMBASSADOR IV
SERVICE
MANUAL**



MODEL A-60X

PRICE: \$1.00

FISHER RADIO CORPORATION • NEW YORK



THE FISHER A-60X

PARTS DESCRIPTION LIST • AMPLIFIER

CAPACITORS

10 % tolerance for all fixed capacitors, unless otherwise noted or marked GMV (guaranteed minimum value). All capacitors not marked uf are pF (uuf).

Symbol	Description	Part No.
C91, 92	Ceramic, 47, N750, 1000V	C50070-4
C93	Electrolytic, 3 section: A — 100uf, 100V B — 60uf, 250V C — 60uf, 250V	C50180-17
C94, 95, 96, 97	Mylar, .047uf, 400V	C50197-30
C98	Electrolytic, 3 section: A — 40uf, 450V B — 40uf, 450V C — 100uf, 250V	C50180-23
C100, 102	Ceramic, 330, 1000V	C50072-1
C103	Electrolytic, 100uf, 250V	C50180-15
C106	Molded, .01uf, 20 %, 600V	C2747
C110, 111, 112, 113	Ceramic, 18, N470, 1000V	C50070-13
C114	Molded, .01uf, 20 %, 600V	C2747

RESISTORS AND POTENTIOMETERS

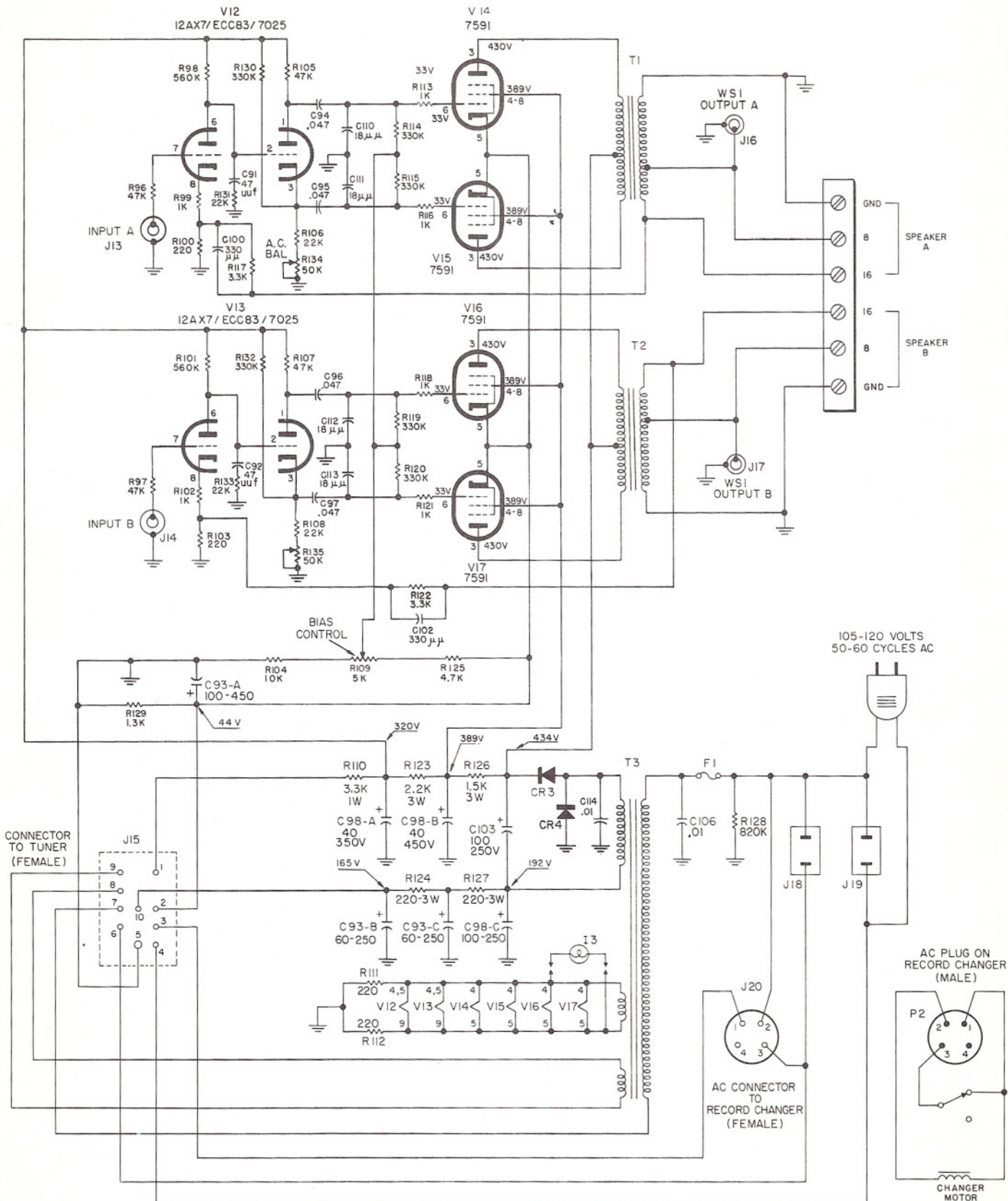
In ohms, 10 % tolerance, 1/2 watt, unless otherwise noted. K=Kilohm, M=Megohm.

Symbol	Description	Part No.
R96, 97	Dep. Carbon, 47K, 5 %, 1/3 W	R33DC473J
R98	Composition, 560K, 5 %	RC20BF564J
R99	Dep. Carbon, 1K, 5 %, 1/3 W	R33DC102J
R100	Dep. Carbon, 220, 5 %, 1/3 W	R33DC221J
R101	Composition, 560K, 5 %	RC20BF564J
R102	Dep. Carbon, 1K, 5 %, 1/3 W	R33DC102J
R103	Dep. Carbon, 220, 5 %, 1/3 W	R33DC221J
R104	Composition, 10K	RC20BF103K
R105	Dep. Carbon, 47K, 5 %, 1/3 W	R33DC473J
R106	Dep. Carbon, 22K, 5 %, 1/3 W	R33DC223J
R107	Dep. Carbon, 47K, 5 %, 1/3 W	R33DC473J
R108	Dep. Carbon, 22K, 5 %, 1/3 W	R33DC223J
R109	Potentiometer, 5K, Bias Control	R50103-4
R110	Composition, 3.3K, 1W	RC30BF332K
R111, 112	Composition, 220	RC20BF221K
R113	Dep. Carbon, 1K, 5 %, 1/3 W	R33DC102J
R114, 115	Dep. Carbon, 330K, 5 %	R33DC334J
R116	Dep. Carbon, 1K, 5 %, 1/3 W	R33DC102J
R117	Composition, 3.3K, 5 %	RC20BF332J
R118	Dep. Carbon, 1K, 5 %, 1/3 W	R33DC102J
R119, 120	Dep. Carbon, 330K, 5 %, 1/3 W	R33DC334J
R121	Dep. Carbon, 1K, 5 %, 1/3 W	R33DC102J
R122	Composition, 3.3K, 5 %	RC20BF332J
R123	Glass, 2.2K, 3W	RPG3W222K
R124	Glass, 220, 3W	RPG3W221K
R125	Composition, 4.7K	RC20BF472K
R126	Glass, 1.5K, 3W	RPG3W152K
R127	Glass, 220, 3W	RPG3W221K
R128	Composition, 820K	RC20BF824K
R129	Glass, 1.3K, 5W	RPG5W132K
R130	Dep. Carbon, 330K, 5 %, 1/3 W	R33DC334J
R131	Dep. Carbon, 22K, 5 %, 1/3 W	R33DC223J
R132	Dep. Carbon, 330K, 5 %, 1/3 W	R33DC334J
R133	Dep. Carbon, 22K, 5 %, 1/3 W	R33DC223J
R134, 135	Potentiometer, 50K, AC, Balance	R50103-3

MISCELLANEOUS

Symbol	Description	Part No.
CR3, 4	Silicon Diode	SR806-126
F1	Fuse, 3.2 Amp., Slo-Blo	F3319
I3	Pilot Light #47	E50009-1
T1	Transformer, Output	T849-116-1
T2	Transformer, Output	T849-116-2
T3	Transformer, Power	T906-115

SCHEMATIC DIAGRAM • AMPLIFIER



AW * 1913
P906 SCHEMATIC

PARTS DESCRIPTION LIST

CAPACITORS

10% tolerance for all fixed capacitors, unless otherwise noted or marked GMV (guaranteed minimum value). All capacitors not marked uf are pF (puff).

Symbol	Description	Part No.
C3	Ceramic, 21, 5%, N750, 1000V	C50070-32
C4	Ceramic, 3, NPO, 1000V	C50070-28
C5	AM Variable	C812-118
C6	Ceramic, 1000, GMV, 1000V	C50071-2
C7	Ceramic, Feedthru, 1000, GMV	C592-187
C9	Ceramic, 100, GMV, N1500, 1000V	C50070-5
C10, 11	Ceramic, .01uf, 20%, 500V	C50089-3
C12	Ceramic, Feedthru, 1000, GMV	C592-187
C13, 14	Ceramic, .02uf, +80 -20%, 500V	C50089-4
C15, 16	Mylar, .022uf, 400V	C50197-28
C17	Ceramic Trimmer	C662-123
C18	FM Variable	C818-116
C19	Ceramic, 2.2, 500V	C3039
C20	Ceramic, 1000, GMV, 1000V	C50071-2
C21	Ceramic, 8, ±.5, NPO, 500V	CC20CJ080D5
C22	Ceramic, 5, NPO, 1000V	C50070-24
C23	Ceramic, 33, 5%, N750, 1000V	C50070-25
C24	Ceramic, 100, GMV, N1500, 1000V	C50070-5
C25	Ceramic, 24, 5%, N150, 1000V	C50070-8
C26	Ceramic, 47, 5%, N150, 1000V	C50070-29
C27	Ceramic, 8, ±.5, NPO, 500V	CC20CJ080D5
C28	Ceramic, 100, 5%, N1500, 1000V	C50070-19
C29	Ceramic, 10, ±.5, N150, 500V	CC20PJ100D5
C30	Ceramic, 1000, 1000V	C50072-3
C31	Ceramic, Feedthru, 1000, GMV	C592-187
C32	Ceramic, 5000, 20%, 500V	C50089-1
C35	Ceramic, 100, GMV, N1500, 1000V	C50070-5
C36	Ceramic, 10, NPO, 1000V	C50070-11
C37, 38	Ceramic, 33, N750, 1000V	C50070-15
C39	Ceramic, 5000, 20%, 500V	C50089-1
C40	Ceramic, .68, 500V	C50077-6N
C41	Ceramic, .02uf, +80 -20%, 500V	C50089-4
C42, 43	Ceramic, 5000, 20%, 500V	C50089-1
C44	Ceramic, 2700, 1000V	C50072-17
C45	Ceramic, 5000, 20%, 500V	C50089-1
C46	Ceramic, .68, 500V	C50077-6N
C47	Ceramic, .02uf, +80 -20%, 500V	C50089-4
C48, 49, 50, 51	Ceramic, 5000, 20%, 500V	C50089-1
C52	Ceramic, 2700, 1000V	C50072-17
C53	Ceramic, 5000, 20%, 500V	C50089-1
C54	Ceramic, 100, N1500, 1000V	C50070-6
C55	Mylar, .047uf, 250V	C50197-52
C56	Ceramic, .02uf, 20%, 500V	C50089-5
C57	Ceramic, 470, 1000V	C50072-13
C58	Ceramic, 68, N2200, 1000V	C50070-12
C59	Ceramic, .02uf, 20%, 500V	C50089-5
C60	Ceramic, 470, 1000V	C50072-13
C61	Ceramic, 68, N2200, 1000V	C50070-18
C62, 63	Ceramic, 470, 1000V	C50072-13
C68	Ceramic, 2700, 1000V	C50072-17
C69	Ceramic, 5000, 20%, 500V	C50089-1
C70	Ceramic, 330, 1000V	C50072-1
C71	Ceramic, 1800, 1000V	C50072-8
C72	Electrolytic, 2 Section: A— 20uf, 300V B— 40uf, 400V	C50182-22

C73, 74	Ceramic, 330, 1000V
C75	Ceramic, .05uf, +80 -20%, 100V
C77	Ceramic, 5000, 20%, 500V
C78	Ceramic, .01uf, 20%, 500V
C79	Ceramic, 5000, 20%, 500V
C80	Ceramic, Feedthru, 1000, GMV
C81	Electrolytic, 8uf, 50V
C82	Ceramic, 5000, 20%, 500V
C83	Ceramic, .01uf, 20%, 500V
C84	Ceramic, 5000, 20%, 500V
C86	Ceramic Trimmer

C50072-1	
C50073-2	
C50089-1	
C50089-3	
C50089-1	
C592-187	
C629-138	
C50089-1	
C50089-3	
C50089-1	
C662-123	

RESISTORS

In ohms, 10% tolerance, 1/2 watt unless otherwise noted. K=Kiloohms. M=Megohms.

Symbol	Description
R1	Composition, 270
R4, 5	Dep. Carbon, 5%, 1/3 W
R6	Dep. Carbon, 47K, 5%, 1/2 W
R7	Composition, 10
R8	Dep. Carbon, 47K, 5%, 1/2 W
R9	Composition, 10
R10	Dep. Carbon, 10K, 5%, 1/2 W
R11	Dep. Carbon, 2.7K, 5%, 1/2 W
R12	Dep. Carbon, 10K, 5%, 1/2 W
R13	Dep. Carbon, 2.7K, 5%, 1/2 W
R14	Composition, 100K
R16	Composition, 820K
R17, 18	Dep. Carbon, 330K, 5%, 1/2 W
R19	Composition, 100
R20, 21	Composition, 4.7M
R22	Composition, 470
R23, 24	Dep. Carbon, 220K, 5%, 1/2 W
R25	Composition, 27K
R26, 27	Dep. Carbon, 100K, 5%, 1/2 W
R28	Composition, 820
R29	Composition, 820K
R30	Composition, 150K
R31	Dep. Carbon, 22K, 5%, 1/2 W
R32, 33	Composition, 1K
R34	Composition, 18K, 1W
R35	Composition, 100
R36	Dep. Carbon, 470K, 5%, 1/2 W
R37	Composition, 5.6M
R38	Dep. Carbon, 470K, 5%, 1/2 W
R39	Composition, 5.6M
R40, 41	Dep. Carbon, 2.2M, 5%, 1/2 W
R42	Composition, 100K
R43	Composition, 560
R44	Composition, 100K
R45	Composition, 560
R46	Composition, 150
R47, 48	Composition, 220K
R49	Composition, 47K
R50	Composition, 1K
R51	Composition, 180
R52, 53	Potentiometer, 1M, Treble & Bass
R54, 55	Composition, 39K
R56	Composition, 150
R57	Composition, 27K
R58	Composition, 1K
R59	Composition, 180K

Part No.	Description
RC20BF271K	
R33DC104J	
R33DC473J	
RC20BF100K	
R33DC473J	
RC20BF100K	
R33DC103J	
R33DC272J	
R33DC103J	
R33DC272J	
RC20BF104K	
RC20BF824K	
R33DC334J	
RC20BF101K	
RC20BF475K	
RC20BF471K	
R33DC224J	
RC20BF473K	
R33DC104J	
RC20BF821K	
RC20BF824K	
RC20BF154K	
R33DC223J	
RC20BF102K	
RC30BF183K	
RC20BF101K	
R33DC474J	
RC20BF565K	
R33DC474J	
RC20BF565K	
R33DC225J	
RC20BF104K	
RC20BF561K	
RC20BF104K	
RC20BF561K	
RC20BF151K	
RC20BF224K	
RC20BF473K	
RC20BF102K	
RC20BF181K	
R50160-55	
RC20BF393K	
RC20BF151K	
RC20BF273K	
RC20BF102K	
RC20BF184K	

R60	Composition, 82K
R61, 62	Composition, 220K
R63	Composition, 47K
R64	Composition, 2.2M
R65	Composition, 100K
R66	Composition, 560
R67	Composition, 390K, 5%
R68	Composition, 100K
R69	Composition, 560
R70	Composition, 390K, 5%
R71	Composition, 1K
R72, 73	Dep. Carbon, 47K, 5%, 1/2 W
R75, 76	Composition, 8.2M, 5%
R77	Dep. Carbon, 47K, 5%, 1/2 W
R78	Potentiometer, 500K, Balance Control
R79, 80	Dep. Carbon, 22K, 5%, 1/2 W
R81	Composition, 68K
R82	Potentiometer, 500K, Volume Control
R83	Composition, 1K
R84	Composition, 270
R85	Dep. Carbon, 47K, 5%, 1/2 W
R86	Composition, 100K
R87	Composition, 22K
R88	Composition, 1.5K
R89	Composition, 1K
R90	Composition, 15K
R92, 93	Composition, 1M
R94	Composition, 3.9M
R95	Composition, 39K
R96	Composition, 270K

RC20BF823K	
RC20BF224K	
RC20BF473K	
RC20BF225K	
RC20BF104K	
RC20BF561K	
RC20BF394J	
RC20BF104K	
RC20BF561K	
RC20BF394J	
RC20BF102K	
R33DC473J	
RC20BF825J	
R33DC473K	
R50160-97	
R33DC223J	
RC20BF683K	
R50160-54	
RC20BF102K	
RC20BF271K	
R33DC473J	
RC20BF104K	
RC20BF223K	
RC20BF152K	
RC20BF102K	
RC20BF153K	
RC20BF105K	
RC20BF395K	
RC20BF393K	
RC20BF274K	

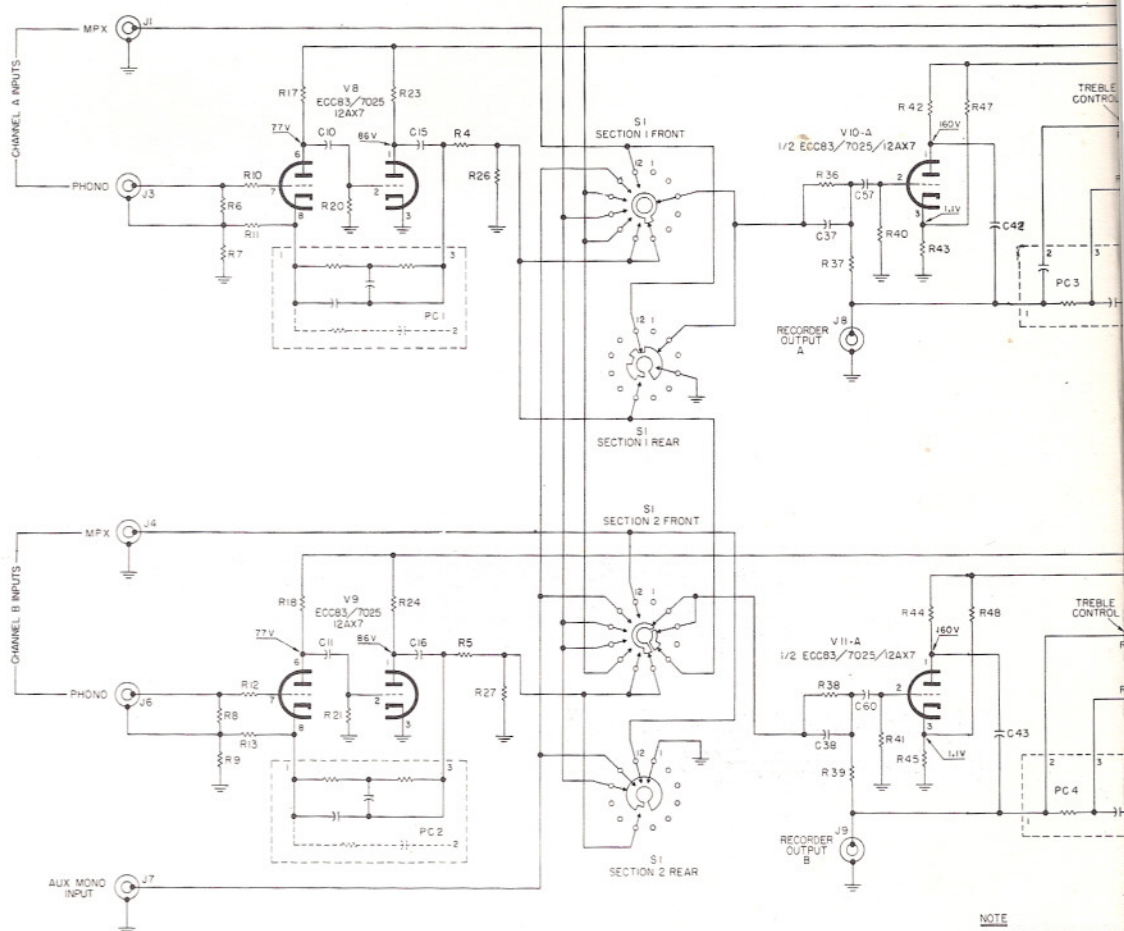
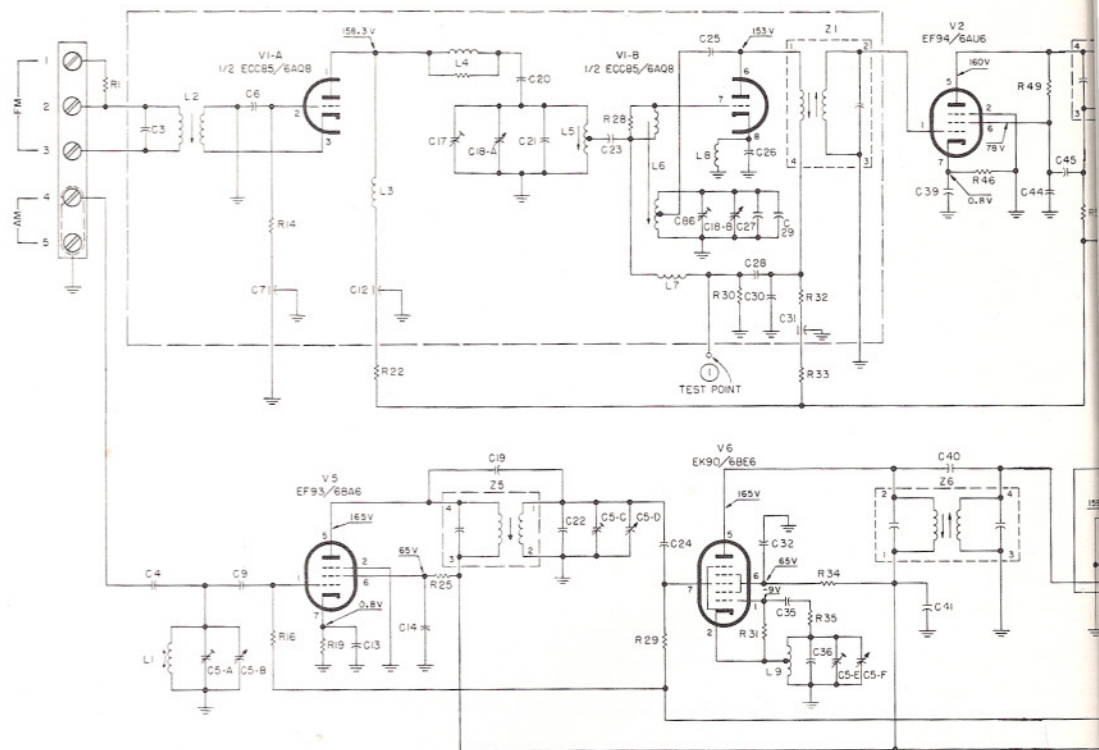
CHOKES, COILS & TRANSFORMERS

Symbol	Description	Part No.
L1	AM Loop Antenna	L50210-26
L2	FM Antenna Coil	L818-113
L3	Choke, 1.5 Microhenries	L50066-4
L4	Choke, RF	L629-180
L5	FM RF Coil	L818-114
L6	FM Oscillator Coil Ass'y	AS818-118
L7	Choke, .68 Microhenries	L50066-1
L8	Choke, .2 Microhenries	L50066-21
L9	AM Oscillator Coil	L50210-22
L10, 11, 12, 13, 14, 15, 16, 17	Choke, Filament, Ferrite Bead	L592-189
L18	Choke, 3.3 Microhenries	L50066-8
Z1	FM IF Transformer	ZZ662-117
Z2	FM IF Transformer	ZZ2987
Z3	FM Limiter Coil Ass'y	L670-145
Z4	FM Ratio Detector Transformer	ZZ50210-9
Z5	AM IF Transformer	L50210-23
Z6, 7	AM IF Transformer	ZZ2984

MISCELLANEOUS

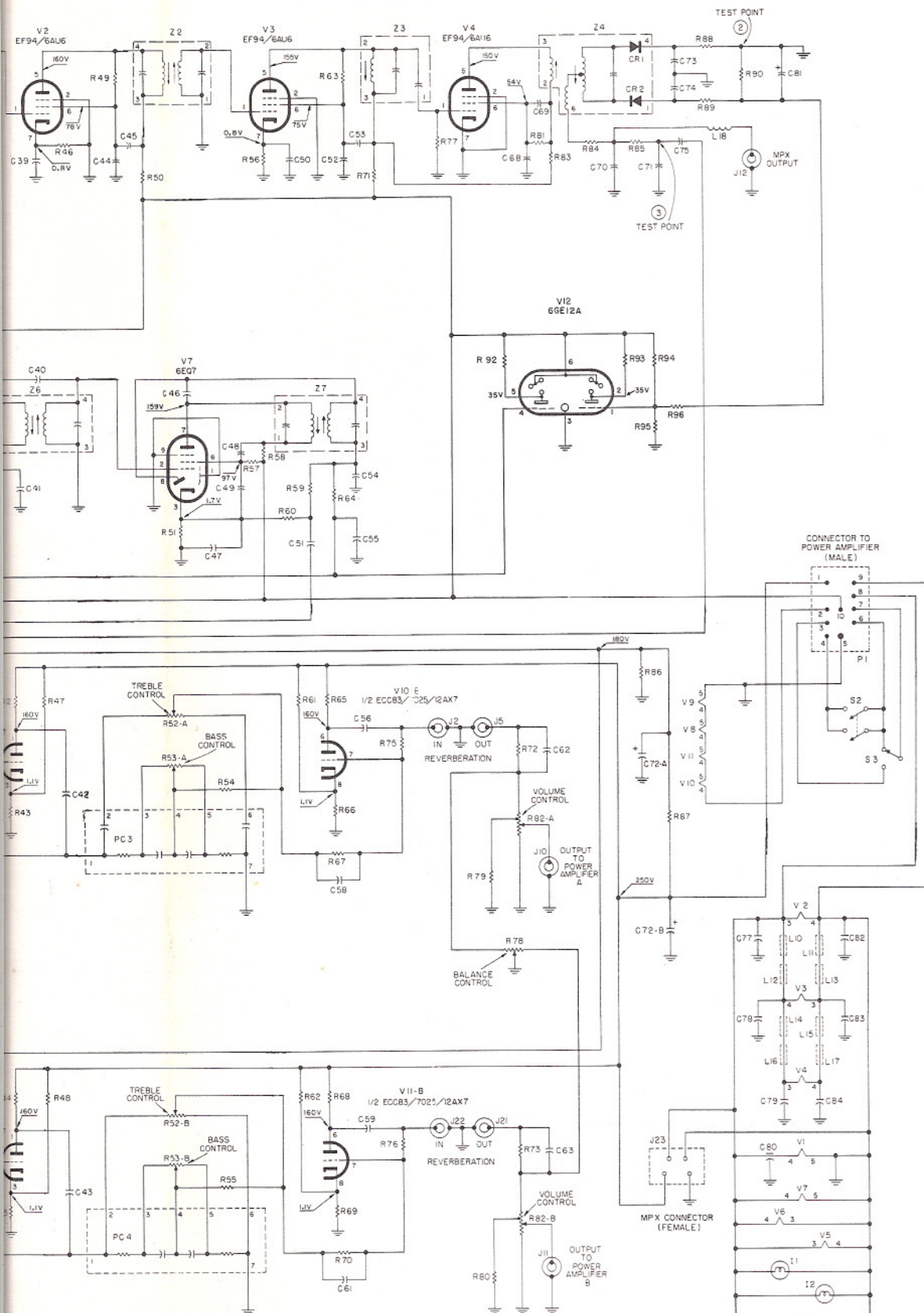
Symbol	Description	Part No.
I1, 2	Dial Lamp	I50082-8
PC1, 2	Printed Circuit, Phono Equalization	PC50187-3
PC3, 4	Printed Circuit, Tone Control	PC50187-4
S1	Switch, Selector	S904-120
S2	Switch, Power	Part of R82
S3	Switch, Automatic Shutoff	Part of R78

SCHEMATIC DIAGRAM • CHASSIS 470-T



NOTE
ALL VOLTAGES TAKEN WITH SW
IN THE "PHONO-MONO" POSIT
ANTENNA TERMINAL.

RESISTORS	R1	R6 TO R9	R10 TO R13	R14 TO R18	R19 R20 R21	R22 R23 R24	R25	R26 R27	R4 R5	R28	R29	R30 R31	R32 TO R39	R40 R41	R42 TO R45	R46 R47	R49	R50 TO R53
CAPACITORS	C3 C4	C5-A TO C5-B	C5-B TO C5	C6 TO C9	C10 C11 C13	C14 C15 C16	C17	C18-A C19 C20 C21 C22	C23 C24 C25-D	C25	C18-B C26 TO C32	C27 C28 C29 C30 C31	C35 C36 C37 C38 C39	C5-E C5-F	C5-F C40 C41	C39 C42 C43 C44 C45		



NOTE
ALL VOLTAGES TAKEN WITH S1 (SELECTOR SWITCH)
IN THE "PHONO-MONO" POSITION, NO SIGNAL AT
ANTENNA TERMINAL.

S1
SELECTOR SWITCH
POSITIONS
SHOWN IN
→ PHONO-MONO
PHONO-STEREO
FM
FM-AM
AUX I TV/MONO
MPX STEREO

AW # 1916
P 934-SCHMATIC

R42	R46	R49	R50	R54	R56	R59	R63	R71	R75	R92	R79	R81	R83	R84	R85	R87	R88	R90
TO	TO	TO	TO	TO	TO	TO	TO	TO	TO	TO	TO	TO	TO	TO	TO	TO	TO	TO
R45	R47	R48	R53	R55	R57	R58	R62	R70	R76	R77	R78	R82-A	R82-B	R85	R86	R89		
C39	C42	C44	C45	C46	C47	C48	C50	C52	C58	C68	C69	C70	C71	C73	C77	C79	C81	C82
C40	C43					C49	C51	TO	TO	C68	C62	C70	C72-A	C74	C78	C80	C83	C84
C41								C56	C61		C63		C72-B	C75				

ALIGNMENT INSTRUCTIONS

Read These Instructions With Extreme Care Before Attempting Alignment.

CHASSIS: Turn the station selectors completely counterclockwise, without forcing. Dial pointers should be at zero index mark on logging scale. If not, reset the dial pointers. Disconnect the external antennas and the antenna link. Set Volume Control to minimum [CCW.]

When using an oscilloscope for alignment, set the output level controls for no overload, as shown by the proper waveform shape.

SIGNAL GENERATORS: The signal generator equipment must be able to supply the following:

FM RF modulated 30% (± 22.5 KC deviation) at 400 cps; AM RF modulated 30% at 400 cps;

INDICATOR: DC VTVM, AC VTVM, and scope for alignment filter adjustment.

ALIGNMENT: Allow the chassis and test instruments to warm up for at least fifteen minutes. Adjust the line voltage for 117 volts AC, 50-60 cycles. Use fully insulated tools: a small screwdriver for all trimming capacitors; a K-Tran tool for Z1, Z2, Z5, Z6 and Z7; a hex tool for Z3, Z4, L2, L5, L6 and L9. For AM alignment, short junction of C55 and R64 to ground.

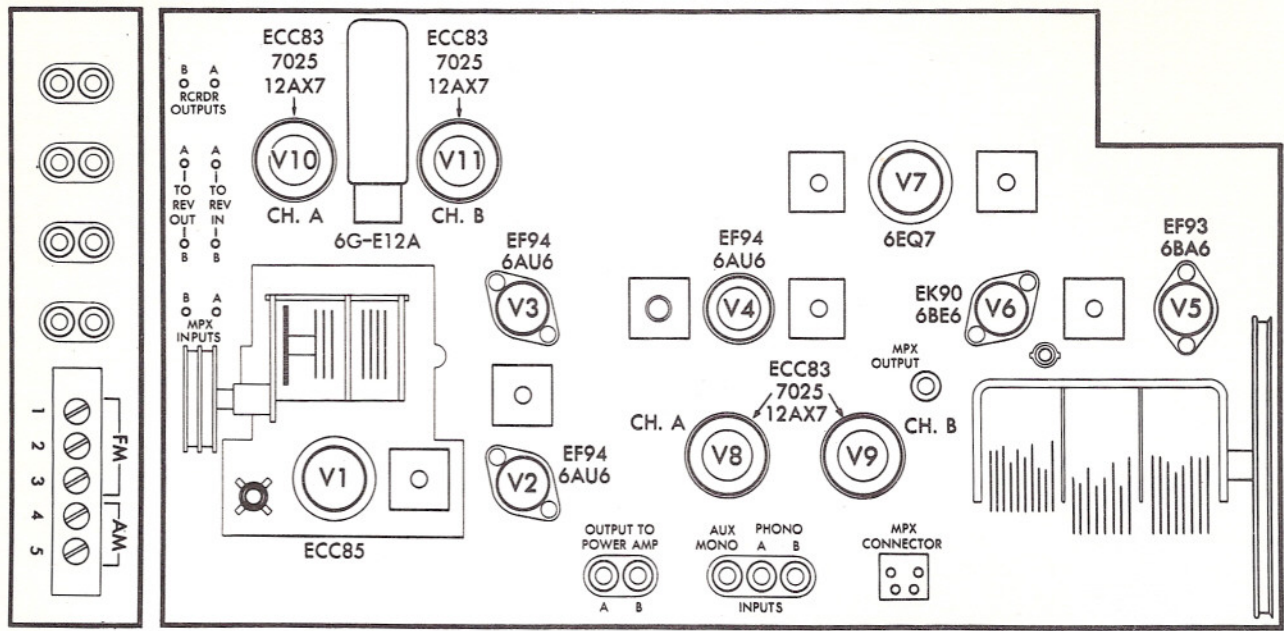
AM ALIGNMENT

STEPS	CHASSIS		SIGNAL GENERATOR			INDICATOR		ALIGNMENT	
	SELECTOR	STATION SELECTOR	COUPLING	FREQ.	MOD.	TYPE	CONNECTION	ADJUST	INDICATION
1	AM	Point of no signal and no interference	AM Gen. connected thru .01-uf cap. to V6, Pin 7	455 KC	30% AM at 400 cps	AC VTVM to Ch. B RCRDR Output		Z6, Z7 top and bottom	Maximum voltage
2	AM	600 KC	AM Gen. connected thru 220-uuf cap. to antenna terminal 4 Disconnect link between 4 & 5	600 KC	30% AM at 400 cps	AC VTVM to Ch. B RCRDR Output		L9, Z5 L1	Maximum voltage
3	AM	1400 KC	AM Gen. connected thru 220-uuf cap. to antenna terminal 4 Disconnect link between 4 & 5	1400 KC	30% AM at 400 cps	AC VTVM to Ch. B RCRDR Output		C5E, C5C C5A	Maximum voltage
4	Repeat steps 2 and 3 for proper dial calibration and maximum output.								
5	FM	Point of no signal and no interference	FM Gen. connected thru 2.2-uuf cap. to test point 1	10.7 MC	None	DC VTVM to test point 2		Z1, Z2, Z3 and Z4, top & bottom	Maximum positive voltage
6	FM	Point of no signal and no interference	FM Gen. connected thru 2.2-uuf cap. to test point 1	10.7 MC	None	Connect two 47K ohm resistors in series across C81. Connect a VTVM between the junction of the two 47K ohm resistors and test point 3		Z4 top	Zero reading on zero center scale
7	FM	90 MC	FM Gen. connected thru two 120-ohm carbon resistors to antenna terminals 2 and 3	90 MC	30% FM (22.5 KC Dev.) at 400 cps	DC VTVM to test point 2 and scope to Ch. A RCRDR Output		L6, L5, L2	Check for sine waveform and adjust for maximum positive voltage
8	FM	106 MC	FM Gen. connected thru two 120-ohm carbon resistors to antenna terminals 2 and 3	106 MC	30% FM (22.5 KC Dev.) at 400 cps	DC VTVM to test point 2 and scope to Ch. A RCRDR Output		C86 and C17	Check for sine waveform and adjust for maximum positive voltage
9	Repeat steps 7 and 8 at least once for proper dial calibration and maximum output.								
NOTE: For calibrating both the AM and FM, use as low an output voltage as possible from your signal generator.									

FM ALIGNMENT

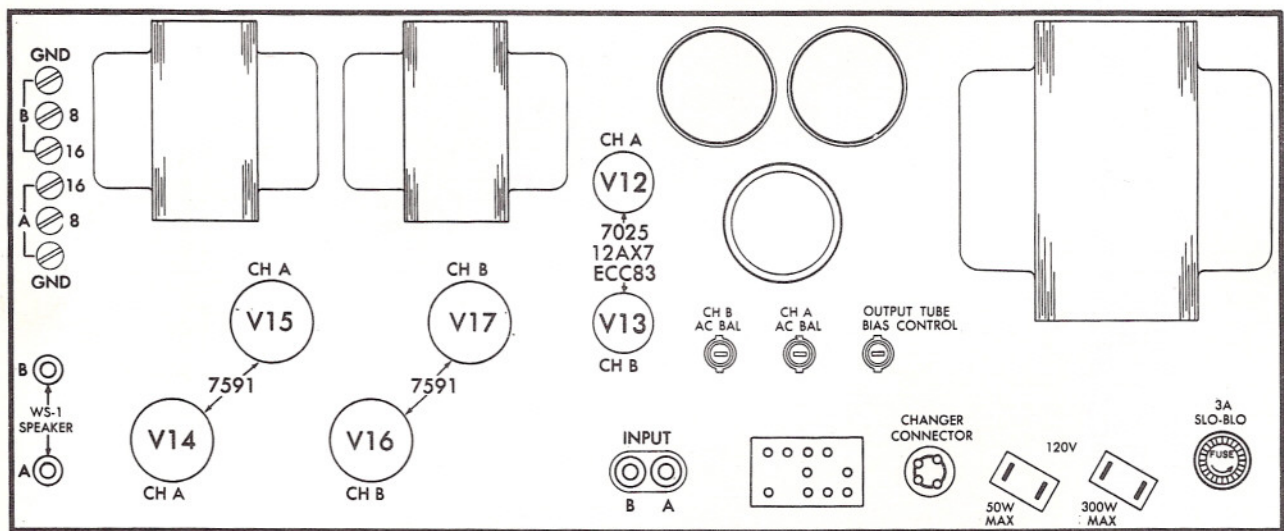
TUBE LAYOUT

**470-T
TUNER
AND
PREAMPLIFIER**



AW # 1905

**660-A
AMPLIFIER**



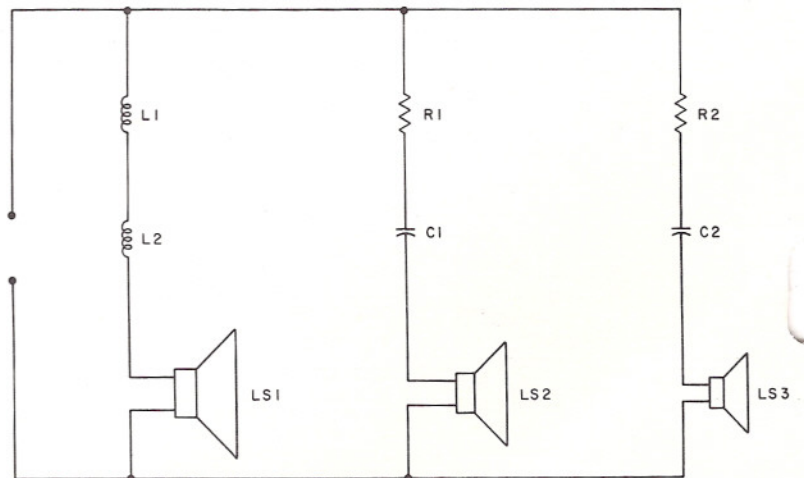
AW 1912

SCHEMATIC DIAGRAM • SPEAKER SYSTEMS

PARTS DESCRIPTION LIST

SPEAKER SYSTEMS

Symbol	Description	Part No.
C1	Capacitor, 2uf, 50V	C547-118
C2	Capacitor, .47uf, 10%, 200V	C68P474K2
L1, 2	Coil, 3 Microhenries	L547-120
LS1	Speaker Woofer, 12 inches, 16 ohms	LS831-105
LS2	Speaker Midrange, 8 inches, 16 ohms	LS831-106
LS3	Speaker Tweeter, 16 ohms	LS831-107



PARTS DESCRIPTION LIST • MULTIPLEX SECTION

CAPACITORS

10% tolerance for all fixed capacitors, unless otherwise noted or marked GMV (guaranteed minimum value). All capacitors not marked uf are pF (uuf).

Symbol	Description	Part No.
C200	Ceramic, .01uf, +80 -20%, 500V	C50089-7
C201	Ceramic, 680, 1000V	C50072-2
C203	Ceramic, 220, 1000V	C50183-3
*C204	Mica, 470, 5%, 300V	C50332-4
C205	Ceramic, 82, N1500, 1000V	C50070-7
C206	Ceramic, 1000, GMV, 500V	C50089-2
C207	Electrolytic, 1uf, 350V	C50283-3
*C208, 209	Mica, 4700, 5%, 500V	C50332-5
C210	Electrolytic, 1uf, 350V	C50283-3
C211	Ceramic, 1000, GMV, 500V	C50089-2
C214	Mylar, 4700, 400V	C50197-25
*C215	Mica, 3900, 5%, 500V	C50332-6
C216, 217, 218	Ceramic, 5000, 20%, 500V	C50089-1
C219	Ceramic, 330, 1000V	C50072-1
C220	Ceramic, 5000, 20%, 500V	C50089-1
C221, 222	Ceramic, .02uf, +80 -20%, 500V	C50089-4
C223, 224	Ceramic, 1000, 1000V	C50072-3
C225, 226	Ceramic, 2200, 1000V	C50072-5

RESISTORS

In ohms, 10% tolerance, 1/2 watt unless otherwise noted. K=Kilohms. M=Megohms.

Symbol	Description	Part No.
R200	Composition, 22M	RC20BF226K
R201	Composition, 4.7K, 5%	RC20BF472J
R202	Composition, 15K, 5%	RC20BF153J
R203	Composition, 10M	RC20BF106K
R204	Composition, 15K, 5%	RC20BF153J
R205	Dep. Carbon, 330K, 5%, 1/3 W	R33DC334J
R206	Dep. Carbon, 1M, 5%, 1/3 W	R33DC105J
R208	Dep. Carbon, 22K, 5%, 1/3 W	R33DC223J
R209, 210, 211, 212	Composition, 33K, 5%	RC20BF333J
R213, 214	Dep. Carbon, 100K, 5%, 1/3 W	R33DC104J
R215	Potentiometer, 50K, MPX Sep't'n Control	R50150-4
R216	Composition, 22M	RC20BF226K
R217, 218	Dep. Carbon, 18K, 5%, 1/3 W	R33DC183J
*R219, 220	Dep. Carbon, 15K, 5%, 1/3 W	R33DC153J
R221	Composition, 22M	RC20BF226K
R222, 223, 224, 225	Dep. Carbon, 22K, 5%, 1/8 W	R33DC223J
*R226, 227, 228, 229, 230	Dep. Carbon, 1M, 5%, 1/3 W	R12DC105J

MISCELLANEOUS

Symbol	Description	Part No.
*CR102, 103	Diodes, Type 1112	V-1112
L100	Coil, Low Pass	L50210-30
L102, 103	Coil, 20 Microhenries, 5%	L50334-2
*Z100	Transformer, 19Kc	ZZ50210-34
*Z101	Coil, 38Kc	ZZ50210-33

***NOTE:** On some units C204 may be a 220 pF capacitor, if so there is an additional 220 pF capacitor from Pin 1 of V100 to chassis. Z100 may use the Part #ZZ50210-13 or ZZ50210-13X, if so C208 and 209 may be a 5100 pF or 3900 pF Mica Capacitor. Z101 may use the Part #ZZ50210-14, if so C215 will be a 5100 pF or 4700 pF Mica Capacitor. CR102, 103 on some models may use Diode Type 1N294A. R226 through 230 may be omitted on some units. R219 and 220 may be 12K on some units.

Note: If replacement of any of the above parts is required, use the part as found in unit.

TUBE LAYOUT

MPX-70

